

Dell PowerEdge Systems
Oracle Database on Microsoft
Windows Server x64

Storage and Network Guide

Version 1.6



Notes, Cautions, and Warnings



NOTE: A NOTE indicates important information that helps you make better use of your computer.



CAUTION: A CAUTION indicates potential damage to hardware or loss of data if instructions are not followed.



WARNING: A WARNING indicates a potential for property damage, personal injury, or death.

Information in this publication is subject to change without notice.

© 2011 Dell Inc. All rights reserved.

Reproduction of these materials in any manner whatsoever without the written permission of Dell Inc. is strictly forbidden.

Trademarks used in this text: Dell™, the DELL logo, EqualLogic™, Optiplex™, PowerConnect™, PowerEdge™, and PowerVault™ are trademarks of Dell Inc. Broadcom™ is a trademark of Broadcom Corp. Intel® is a registered trademark of Intel in the U.S. and other countries. Oracle® is a registered trademark of Oracle Corporation and/or its affiliates. Microsoft®, Windows®, and Windows Server® are either trademarks or registered trademarks of Microsoft Corporation in the United States and/or other countries.

Other trademarks and trade names may be used in this publication to refer to either the entities claiming the marks and names or their products. Dell Inc. disclaims any proprietary interest in trademarks and trade names other than its own.

Contents

1	Overview	7
	Required Documentation for Deploying the Dell Oracle 11g R2 Database	7
	Terminology Used in This Document	8
	Getting Help	8
	Dell Support	8
	Oracle Support	8
2	Configuring Your Network	9
	Disabling IPv6 for the Network Adapters	9
	Configuring NIC Teaming for Your Private Network Adapters	10
	Configuring the IP Addresses for Your Public and Private Network Adapters	12
	IP Address and Name Resolution Requirements	14
	For a Cluster Using GNS	14
	For a Cluster Using DNS	16
	Enabling IPMI	18
	Prerequisites for Enabling IPMI	18
	Configuring Your Managed System	18
	Baseboard Management Controller Configuration	18

3	Setting Up a SAS Cluster for Dell PowerVault Storage Enclosures . . .	23
	Setting Up the Hardware.	25
	Installing Host-Based Storage Software	26
	Verifying and Upgrading the Firmware	27
	Installing the SAS HBA Adapter Driver	27
	Installing Host-Based Storage Software	27
	Installing the MD Storage Software	28
	Post Installation Tasks	30
	Verifying Storage Array Discovery	30
4	Setting Up an iSCSI Cluster for Dell PowerVault Storage Enclosures . . .	33
	Setting Up the Hardware.	34
	Installing Host-Based Software Needed for Storage . .	38
	Verifying and Upgrading the Firmware	38
	Setting Up an iSCSI Cluster for the Dell PowerVault MD32xxi and MD12xx Storage Enclosures.	39
	Setting Up the Hardware	39
	Installing Host-Based Storage Software	39

5	Setting Up an iSCSI Cluster for the Dell EqualLogic PS Series Storage System	43
	EqualLogic Terminology	43
	Setting Up the EqualLogic iSCSI Storage System	43
	Creating Volumes	46
	Configuring iSCSI Networks	47
	Configuring Host Access to Volumes	48
6	Configuring Database Storage on the Host	51
	Verifying and Identifying Your Storage Disks	51
	Verifying the Storage Assignment to the Nodes	51
	Preparing the Disks for Oracle Clusterware, Database, and Backup	52
	Enabling the Automount Option for the Shared Disks	52
	Preparing the OCR and Voting Disk for Clusterware, Database Disk and Flash Recovery Area for Database Storage With ASM on Windows 2008 R2 SP1	53
	Removing the Assigned Drive Letters	54
	Index	55

Overview

This document provides instructions to configure the network and storage requirements for running the Dell|Oracle database on a system with the Microsoft Windows Server 2008 R2 SP1 operating system installed. The procedures in this document apply to Oracle Database 11g R2 running on Microsoft Windows Server x64. For the list of network and storage configurations supported by your system, go to dell.com/oracle and select Dell Validated Components.

Required Documentation for Deploying the Dell|Oracle 11g R2 Database

The Dell|Oracle Database Installation documentation set includes the following guides, in addition to the *Dell PowerEdge Systems Oracle Database on Microsoft Windows Server x64 Storage and Network Guide*:

- *Dell PowerEdge Systems Oracle Database on Microsoft Windows Server x64- Operating System and Hardware Installation Guide*—Describes the required minimum hardware and software versions, how to install and configure the operating system, how to verify the hardware and software configurations, and how to obtain open source files.
- *Dell PowerEdge Systems Oracle Database on Microsoft Windows Server x64- Database Setup and Installation Guide*—Describes how to install and configure the Oracle database.
- *Dell PowerEdge Systems Oracle Database on Microsoft Windows Server x64- Troubleshooting Guide*—Describes how to troubleshoot and resolve errors encountered during the installation procedures described in the previous modules.

Terminology Used in This Document

This document uses the terms volume and virtual disk. These terms are synonymous and can be used interchangeably. Volume is commonly used in a Dell EqualLogic iSCSI storage system environment and virtual disk is commonly used in a Dell PowerVault SAS and iSCSI (Dell PowerVault MD3000/MD32xx/MD36xxi and Dell PowerVault MD3000i/MD32xxi with Dell PowerVault MD1000/MD12xx expansion) storage environment.

Getting Help

Dell Support

- For detailed information about using your system, see the documentation that was shipped with your system components.
- For whitepapers, Dell-supported configurations, and general information, see dell.com/oracle.
- For Dell technical support for your hardware and operating system software, and to download the latest updates for your system, see support.dell.com.
- For information on Dell enterprise training services, see dell.com/training.



NOTE: The training service may not be offered in all locations.

Oracle Support

- For training information on your Oracle software and application clusterware, and for information about contacting Oracle, see oracle.com or see your Oracle documentation.
- For technical support, downloads, and other technical information, see support.oracle.com.
- For information on installing and configuring Oracle, see the *Oracle Dell PowerEdge Systems Oracle Database on Microsoft Windows Server x64-Database Setup and Installation Guide* at support.dell.com/manuals.

Configuring Your Network

This section provides information about configuring the public and private cluster network.



NOTE: Each node requires a unique public and private internet protocol (IP) address and an additional public IP address to serve as the virtual IP address for the client connections and connection failover. The virtual IP address must belong to the same subnet as the public IP address. All public IP addresses, including the virtual IP address, should be registered with the domain naming service (DNS). If a DNS server is not available, IP addresses have to be registered in the hosts file on all cluster nodes.

Depending on the number of NIC ports available, configure the interfaces as shown in Table 2-1.

Table 2-1. NIC Port Assignments

NIC Port	Ports Available
1	Public IP, virtual IP, and Single Client Access Name (SCAN) IP
2	Private IP (NIC team)
3	Private IP (NIC team)

Disabling IPv6 for the Network Adapters

IPv6 is not certified with Grid Infrastructure and should be disabled before installing the Grid Infrastructure.

To disable IPv6 on all the nodes:

- 1 Click **Start**→**Administrative Tools**→**Server Manager**.
- 2 In the **Server Manager** window expand **Diagnostics**.
- 3 Click **Device Manager**→**View**→**Show hidden devices**.

The Microsoft Failover cluster adapter and all tunnel adapters (Microsoft ISATAP, 6to4, Teredo) should be disabled.


- 4 Open **Regedit** and **Back-up registry**.

- 5 Navigate to `HKEY_LOCAL_MACHINE\SYSTEM\CurrentControlSet\Services\Tcpip6\Parameters\`.
- 6 Double-click `DisabledComponents` to modify it. If there is no value listed, click `Edit`→`New`→`DWORD (32-bit) Value`.
- 7 Type `DisabledComponents` and press `<Enter>`.
- 8 Enter `DWORD` value : `0xffffffff`.
All IPv6 components except the IPv6 loopback interface are disabled.

Configuring NIC Teaming for Your Private Network Adapters


- 1 On node 1, identify two network adapters that will be used for NIC teaming.
- 2 Connect an ethernet cable from each selected network adapter to the private network switch.
- 3 If node 1 is configured with Broadcom NICs, go to step 4. If node 1 is configured with Intel NICs, configure NIC teaming by performing the following steps:
 - a Click `Start`→`Administrative Tool`→`Server Manager`
 - b On the `Server Manager` window, select `Device Manager`.
 - c Expand the `Network Adapters` tab.
 - d Right-click the Intel NIC, which is identified for NIC teaming and select `Properties`.
 - e Click the `Teaming` tab.
 - f Select `Team with other Adapters` and then select `New Team`.
 - g Specify a name for NIC team and click `Next`.
 - h On the `Select the adapters to include in this team box`, select the remaining network adapters that you identified for NIC teaming and click `Next`.
 - i On the `Select a team mode`, select `Adaptive Load Balancing`.
 - j Click `Finish` to complete the teaming.

- k** On the **Team Properties** window, click **OK**.
 - l** On the Intel NIC's **Properties** window, click **OK**.
 - m** Close the **Computer Management** window.
- 4** If node 1 is configured with Broadcom NICs, configure NIC teaming by performing the following steps. Else go to step 5.
- a** Click **Start**→**All Programs**→**Broadcom**→**Broadcom Advanced Control Suite 3**.
The **Broadcom Advanced Control Suite 3** window is displayed.
 - b** Select **Team Management**, and right-click **Teams** and select **Create a Team**.
The **Broadcom Teaming Wizard** window is displayed.
 - c** Click **Next**.
 - d** In the **Enter the name for the team** field, type **Private** and click **Next**.
 - e** On the **Team Type** field, select **Smart Load Balancing (TM)** and **Failover (SLB)** and click **Next**.
 - f** On the **Assigning Team Members** window, from the **Available Adapters** box, select the network adapters you identified for NIC teaming and add them to the **Team Members** box.
Including this adapter in a team disrupts the system management features.
 - g** Click **Yes** to proceed.
 - h** Click **Next**.
 - i** On the **Designating a Standby Member** window, select a **NIC** else select **Do not configure a standby member**.
 - j** On the **Configuring Live Link** window, select **No** and click **Next**.
 - k** On the **VLAN Support** window, select **Add VLAN**, if there is a **VLAN** you require to configure, else select **Skip manage VLAN**.
 - l** On the last window, click **Preview** to verify the NIC team and the adapters. Once verified, select **Commit changes to system** and exit the wizard.
 - m** Click **Finish**.

- n On the information message window click **Yes** to proceed.
 - o On the **Broadcom Advanced Control Suite 3** window, click **File**→**Exit**.
- 5 Repeat step 1 to step 4 on the remaining nodes.
-  **NOTE:** It is recommended to have the two bonded NIC ports for the private network on separate PCI buses. For example, a bonded pair can consist of one on-board NIC (LOM) and one add-on NIC card.

Configuring the IP Addresses for Your Public and Private Network Adapters

- 1 Update the adapter's network interface name, if required. Otherwise, go to step 2.
 - a On node 1, click **Start**→**Administrative Tools**→**Server Manager**→**View Network Connections**.
 - b On the **Network Connections** window, right-click the public network adapter you want to rename, and select **Rename**.

 **NOTE:** The Oracle database installer generates an error and prevents you from completing the installation procedure if you do not use identical names for the public adapters and the private adapters on all cluster nodes. It is highly recommended that you use identical names for public and private adapters when you configure your network adapters on the cluster nodes.
 - c Rename the public adapter name to **Public** and press <Enter>.
 - d Right-click the Private NIC team you want to rename and select **Rename**.
 - e Rename the Private NIC team to **Private** and press <Enter>.
- 2 Configure the IP addresses.
 - a Click **Start**→**Administrative Tools**→**Server Manager**→**View Network Connections**→**Public**→**Properties**.
 - b Double-click **Internet Protocol (TCP/IP)**.
 - c Click **Use the following IP address**, enter the required IP address, default gateway address and the DNS server IP address, and click **OK**.
 - d Click **OK**.

- e On the **Properties** window, click **Close**.
- f Repeat step a through step e on the Private NIC team.



NOTE: Private NIC team does not require a default gateway address and DNS server entry.

- 3 Ensure that the public and private network adapters appear in the appropriate order for access by network services.
 - a On the **Windows Server**, click **Start**→ **Search programs and files** search box, type `View network connections`. Click on **View network connections** in the search results.
 - b On the **Network Connections** window, click **Organize**→ **Layout**→ **Menu Bar**, then click **Advanced** and select **Advanced Settings**.
 - c Select the **Adapter and Bindings** tab.
 - d Ensure that the network adapters are listed in the following order:
 - Public
 - Private
 - <Any other network adapter>




NOTE: Click the up- and down-arrow keys to change the order of the adapter.


- e Increase the priority of IPv4 over IPv6.
 - f Click **OK**.
 - g Close the **Network Connections** window.
- 4 Repeat step 1 to step 4 on the remaining nodes.
 - 5 Ensure that the cluster nodes can communicate with the public and private networks.

- a On node 1, open a command prompt window.
- b At the command prompt, type:
`ping <public_host_name>`
`ping <private_host_name>`

where *<public_host_name>* and *<private_host_name>* are the host names for the public and private network adapters in the remaining node.

If the node's network adapters do not respond to ping commands, check your network configuration and then repeat this step.

 **NOTE:** Windows Firewall is turned ON by default in Windows Server 2008 R2 SP1, which results in the Ping command to fail with Static IPs. Disable the Windows Firewall to be able to Ping other nodes.

 **NOTE:** Virtual internet protocol (VIP) is configured later and cannot be pinged at this point.

c Repeat step a through step b on the remaining nodes.

IP Address and Name Resolution Requirements

For a Cluster Using GNS

To set up an Oracle 11g R2 Remote Access Control using Oracle Global Naming Server (GNS) you require:

- At least two interfaces configured on each node, one for the private IP address and one for the public IP address.
- A Domain Naming Server (DNS) running in the network for the address resolution of GNS virtual IP address.
- The DNS entry to establish DNS Lookup to direct DNS resolution of a sub-domain to the cluster.
- A DHCP service running on the public network for the cluster.
- Sufficient addresses on the DHCP to provide one IP address for each node's virtual IP, and three IP addresses for the cluster used by SCAN.

Table 2-2 describes the different interfaces, IP address settings, and the resolutions in a cluster.

Table 2-2. IP Address Settings in a Cluster Using GNS

Interface	Type	Resolution
Public	Static	%SystemRoot%\system32\drivers\etc\hosts
Private	Static	Not Required
Node virtual IP	DHCP	GNS
GNS virtual IP	Static	DNS
SCAN virtual IP	DHCP	GNS

Configuring a DNS Server

To configure a DNS server using GNS:

- 1** Configure GNS VIP address on DNS server—In the DNS, create a name resolution entry for the GNS virtual IP address in the forward Lookup zones.
 - a** Open the **DNS manager**.
 - b** Click **DNS server**→ **Forward Lookup Zones**→ **DNS Domain**.
 - c** Right-click **DNS domain** and select **New Host (A or AAAA)**.
 - d** In the **New Host** windows, enter the name and IP address for GNS virtual IP address.
 - e** Click **Add Host**.
 - f** Click **OK**.
 - g** Click **Done** on **New Host** window.

For example: `gns-server Host A 192.0.2.2`

Where, *gns-server* is the GNS virtual IP address given during grid installation. The address that you provide must be routable and should be in public range. For example, 192.0.2.2.
- 2** Configure the GNS sub-domain delegation—In the DNS server, establish DNS Lookup that directs the DNS resolution of a GNS sub-domain to the cluster. Open the DNS-Manager and do the following:
 - a** Click **DNS server**→ **Conditional Forwarders**.
 - b** Right-click **Conditional Forwarders** and select **New Conditional Forwarder**.
 - c** In the **New Conditional Forwarders** window, enter the GNS sub-domain and GNS VIP address (which you must provide during grid installation).

Example: `clusterdomain.subdomain.com` (GNS Sub-domain) `192.0.2.2` (GNS VIP configured in the step 1)
 - d** Click **OK**.
 - e** Restart the DNS service.

Configuring Host Name Resolution

Add host entries within the `%SystemRoot%\system32\drivers\etc\hosts` file domain name. On each node, modify lines in the `%SystemRoot%\system32\drivers\etc\hosts` file by typing:

```
127.0.0.1 localhost
<public IP node1> <public hostname node1>
<public IP node2> <public hostname node2>
```

For a Cluster Using DNS

To set up an Oracle 11g R2 RAC using Oracle DNS (without GNS):

- 1 Configure at least two interfaces on each node, one for the private IP address and one for the public IP address.
- 2 Configure a SCAN NAME for the DNS for Round Robin resolution to three addresses (recommended) or at least one address. The SCAN addresses must be on the same subnet as virtual IP addresses and public IP addresses.



NOTE: For high availability and scalability, it is recommended that you configure the SCAN to use Round Robin resolution to three IP addresses. The name for the SCAN cannot begin with a numeral. For installation to succeed, the SCAN must resolve to at least one address.

Table 2-3 describes the different interfaces, IP address settings and the resolutions in a cluster.

Table 2-3. IP Address Settings in a Cluster Using DNS

Interface	Type	Resolution
Public	Static	<code>%SystemRoot%\system32\drivers\etc\hosts</code> or DNS
Private	Static	Not required
Node virtual IP	Static	<code>%SystemRoot%\system32\drivers\etc\hosts</code> or DNS
SCAN virtual IP	Static	DNS

Configuring a DNS Server

To configure changes on a DNS server for an Oracle 11g R2 cluster using a DNS (without GNS):

- 1 Configure SCAN NAME resolution on DNS server.
- 2 In the DNS, create a name resolution entry for the GNS virtual IP address in the forward Lookup file.
- 3 Open the **DNS manager**.
- 4 Click the **DNS server**→ **Forward Lookup Zones**→ **DNS Domain**.
- 5 Right-click DNS domain and select **New Host (A or AAAA)**.
- 6 In the **New Host** window, enter the name and IP address for GNS virtual IP address.
- 7 Click **Add Host**.
- 8 Click **OK**.
- 9 Add three Virtual IPs / Hosts with the same SCAN name.
- 10 Click **Done** on **New Host** window.

For example:

```
scancluster Host A 192.0.2.1  
scancluster Host A 192.0.2.2  
scancluster Host A 192.0.2.3
```

Where, *scancluster* is the SCAN NAME provided during grid installation.



NOTE: The SCAN IP address must be routable and must be in public range.

Configuring Host Name Resolution

To configure the changes required on the cluster nodes for name resolution:

- 1 Add host entries in the `%SystemRoot%\system32\drivers\etc\hosts` file.
- 2 On each node, modify lines in the `%SystemRoot%\system32\drivers\etc\hosts` file by typing:

```
127.0.0.1 localhost  
<public IP node1> <public hostname node1>  
<public IP node2> <public hostname node2>  
<virtual IP node1> <virtual hostname node1>  
<virtual IP node2> <virtual hostname node2>
```

Enabling IPMI

Intelligent Platform Management Interface (IPMI) provides a set of common interfaces to the hardware and firmware that system administrators can use to monitor system health and manage the system. With Oracle 11g R2, Oracle Clusterware can integrate IPMI to provide failure isolation support and to ensure cluster integrity.

Prerequisites for Enabling IPMI

Each cluster node requires a Baseboard Management Controller (BMC), running a firmware compatible with IPMI version 1.5 or later and configured for remote control using LAN. Use the Dell OpenManage utility media to install the BMC DRAC utilities.



NOTE: It is recommended that you use a dedicated management network (DRAC port) for IPMI.

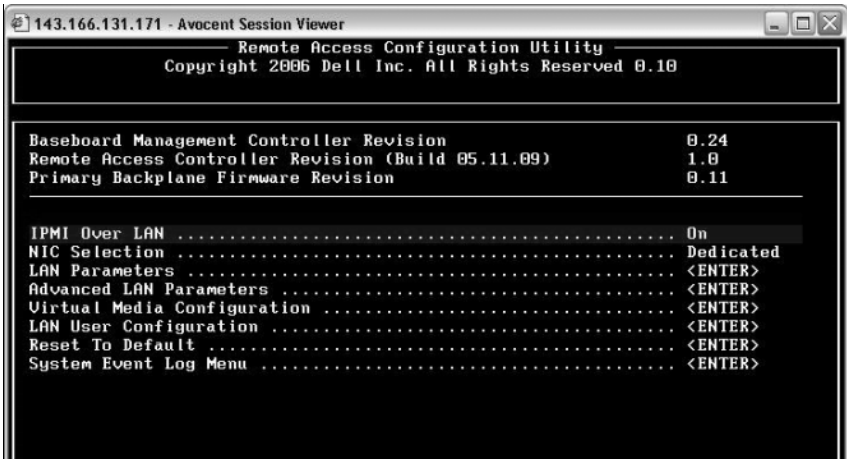
Configuring Your Managed System

Before using the **BMC Management Utility**, configure certain items, such as the necessary system BIOS, network, IPMI encryption key, and serial connection settings, depending on the functionality to be performed, to enable access to the BMC.

To utilize the **BMC Management Utility** you must have a working connection between the management station and the port of the target BMC. This section describes the basic procedures you must perform to prepare your BMC to be accessed and managed using the **BMC Management Utility**.

Baseboard Management Controller Configuration

You can perform basic BMC configuration using the Remote Access Configuration Utility during system startup.



Entering the Remote Access Configuration Utility

- 1 Turn on or restart your system.
- 2 Press <Ctrl><E> when prompted after POST.

If your operating system begins to load before you press <Ctrl><E>, allow the system to finish booting, and then restart your system and try again.

Remote Access Configuration Utility Options

Table 2-4 lists the Remote Access Configuration Utility options and shows how to configure the BMC on a managed system. After entering all settings, press <Esc> and select one of the following:

- Save Changes and Exit-Keep all entries made in the Remote Access Configuration Utility.
- Discard Changes and Exit-Undo all entries made in the Remote Access Configuration Utility.
- Return to Setup-Continue using the Remote Access Configuration Utility.

Table 2-4. Remote Access Configuration Utility

Option	Description
IPMI Over LAN	Enable.
NIC Selection	Dedicated. Enables the remote access device to utilize the dedicated network interface available on the Remote Access Controller. This interface is not shared with the host operating system and routes the systems management traffic to a separate physical network, enabling it to be separated from the application traffic. NOTE: This option is available only on systems with a DRAC installed.
LAN Parameters	
IP Address Source	The network controller is assigned a Static IP address or a DHCP address.
Ethernet IP Address	The static IP address of the BMC. This field is limited to a maximum value of 255.255.255.255. The following IPv4 rules apply: <ul style="list-style-type: none">• IP addresses cannot be 127.xxx.xxx.xxx, where xxx is between 0–255.• The first octet must be between 1 and 223 (that is, 143.xxx.xxx.xxx). NOTE: IP address 169.254.0.2 subnet mask 255.255.0.0 is returned when the BMC is unable to contact the DHCP server.
Subnet Mask	The subnet mask for the static IP address. NOTE: IP address 169.254.0.2 subnet mask 255.255.0.0 is returned when the BMC is unable to contact the DHCP server.
Default Gateway	The IP gateway for the static IP address.
LAN User Configuration	Enables setting the user name, user password, user privilege, and enables user access for user ID=2.

Table 2-4. Remote Access Configuration Utility (continued)

Option	Description
Account Access	Enabled.
Account Privilege	Set the account to: Admin .
Account User Name	Assign account user name.
Enter Password	Enter the password for this Account User. You must enter at least one non-null character.
Confirm Password	Confirm the password you entered.



NOTE: If the first integrated network interface controller (NIC 1) is used in an Ether Channel team or link aggregation team, the BMC management traffic will not function on PowerEdge **x8xx** systems. The NIC teaming option is supported only on PowerEdge **x9xx** and **xx0x** systems. For more information about network teaming, see the documentation for the network interface controller.

- Verify that BMC is accessible and controllable from a remote node in your cluster using the `bmc info` command.


For example, if `node2-ipmi` is the network host name assigned to BMC for node2, then to verify the BMC on node2 from node1, enter the following command on node1:

```
$ ipmitool -H node2-ipmi -U bmcuser -P password  
bmc info
```

Use `root` as the administrator account and `calvin` as the password.

If BMC is correctly configured, the information about BMC on the remote node is displayed. If you see an error message, such as **Error: Unable to establish LAN session**, check the BMC configuration on the remote node.

Setting Up a SAS Cluster for Dell PowerVault Storage Enclosures

 **WARNING:** Before you begin any of the procedures in this section, read the safety information that shipped with your system. For additional best practices information, see dell.com/regulatory_compliance.

To configure the Dell PowerEdge systems and the Dell PowerVault MD32xx and MD12xx storage enclosure to function in an Oracle Real Application Cluster (RAC) environment:

- 1 Verify the hardware and software configurations using Figure 3-1, Figure 3-2, and Table 3-1.
- 2 Follow the steps in "Setting Up the Hardware" on page 25.


 **CAUTION:** Before you upgrade the firmware on your PowerVault MD32xx storage array, ensure that you backup your data.

Figure 3-1. Cabling the Serial-Attached SCSI (SAS) Cluster and the Dell PowerVault MD32xx Storage Enclosure

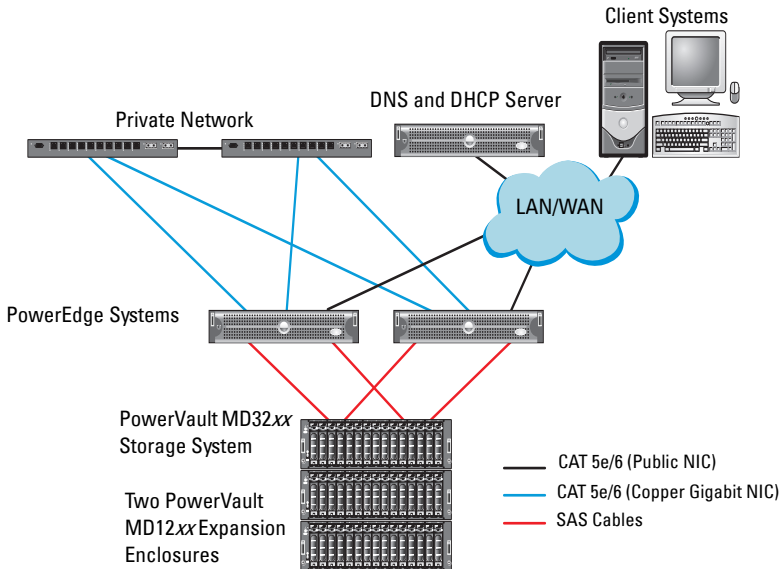


Table 3-1. SAS Cluster Hardware Interconnections

Cluster Component	Connections
PowerEdge system node	<ul style="list-style-type: none"> • One CAT 5e/6 cable from public NIC to the local area network (LAN) • One CAT 5e/6 cable from private Gigabit NIC to Gigabit Ethernet switch (private network) • One CAT 5e/6 cable from redundant private Gigabit NIC to redundant Gigabit Ethernet switch (private network) • Two SAS connections to PowerVault MD32xx system node through the 6 Gbps SAS HBA

Table 3-1. SAS Cluster Hardware Interconnections (continued)

Cluster Component	Connections
PowerVault MD32xx storage enclosure	<ul style="list-style-type: none">• Two CAT 5e/6 cables connected to LAN (one from each storage processor module)• Two SAS connections to each PowerEdge system node through the SAS 6/E cables <p>NOTE: For more information on the PowerVault MD32xx storage enclosure interconnection, see "Setting Up the Hardware" on page 25.</p>
PowerVault MD12xx storage enclosure (optional)	Additional SAS cable connections as required for the PowerVault MD12xx expansion enclosure

Setting Up the Hardware

SAS clusters can only be installed in a direct-attached cluster and are limited to two nodes only.

To configure your nodes in a direct-attached configuration:

- 1 Connect one SAS cable from a port of the SAS controller of node 1 to the **In-0** port of RAID controller 0 in the PowerVault MD32xx storage enclosure.
- 2 Connect one SAS cable from the other port of the SAS controller of node 1 to the **In-0** port of RAID controller 1 in the PowerVault MD32xx storage enclosure.
- 3 Connect one SAS cable from a port of the SAS controller of node 2 to the **In-1** port of RAID controller 0 in the PowerVault MD32xx storage enclosure.
- 4 Connect one SAS cable from the other port of SAS controller of node 2 to the **In-1** port of RAID controller 1 in the PowerVault MD32xx storage enclosure.
- 5 If applicable, connect two SAS cables from the two PowerVault MD32xx storage enclosures **Out** ports to the two **In** ports of the first PowerVault MD12xx expansion enclosure.

- If applicable, connect two SAS cables from the two PowerVault MD12xx storage enclosures out ports to the In-0 ports of the second PowerVault MD12xx expansion enclosure.


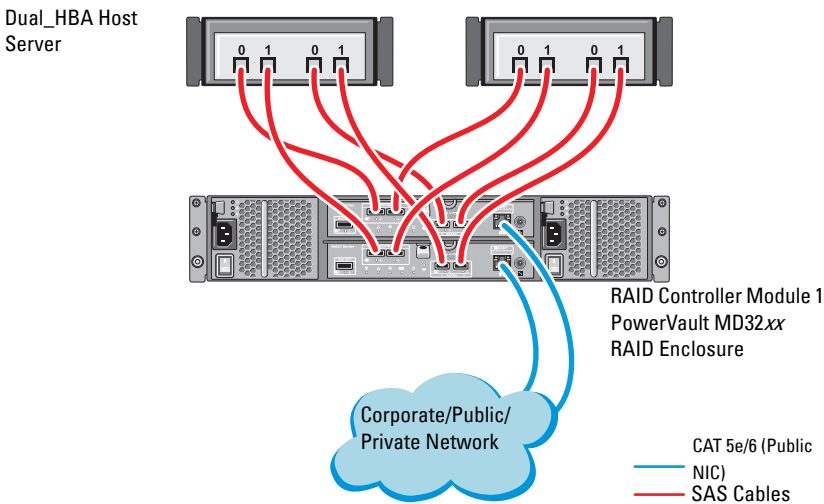
 **NOTE:** For information on configuring the PowerVault MD12xx expansion enclosure, see the PowerVault MD12xx storage system documentation at support.dell.com/manuals.

Figure 3-2. Cabling the Direct-Attached SAS Cluster



Installing Host-Based Storage Software

To install the necessary host-based storage software for the PowerVault MD32xx storage enclosure, use the Dell PowerVault Resource media that shipped with the system. To install the Modular Disk Storage Manager (MDSM) software on the master node and the Multi-Path Input/Output (MPIO) software on the remaining nodes, follow the procedures in the PowerVault MD32xx storage enclosure documentation.

Verifying and Upgrading the Firmware

To verify and upgrade the firmware:

- 1 Discover the direct-attached storage of the host system using the MDSM software that is installed on the host system.
- 2 Verify that the firmware for the following storage components is at the minimum required version:
 - RAID controller firmware
 - PowerVault MD32xx storage system firmware
 - PowerVault MD12xx expansion enclosure firmware



NOTE: For the minimum firmware version requirements, select the **Dell Validated Components** link at dell.com/oracle.

Installing the SAS HBA Adapter Driver

Install the SAS HBA driver from the *PowerVault MD32xx Resource* media.



NOTE: Ensure that the version of the SAS HBA driver is the same or newer than the version listed in the Solution Deliverable List (SDL) that can be found for each Dell-validated component at dell.com/oracle.

For assistance in installing drivers on both nodes of the cluster, see the documentation that came with the PowerVault MD32xx storage enclosure and the SAS HBAs.

Installing Host-Based Storage Software

Software Installation

The PowerVault MD32xx Series resource media contains software and drivers.

The root of the media contains a readme.txt file covering changes to the software, updates, fixes, patches, and other important data applicable to Windows operating systems. The readme.txt file also specifies requirements for accessing documentation, information regarding versions of the software on the media, and system requirements for running the software.

For more information on supported hardware and software for Dell PowerVault systems, see the Support Matrix located at support.dell.com/manuals.



NOTE: It is recommended that you install all the latest updates available at support.dell.com.

Installing the MD Storage Software

The PowerVault MD32xx Series storage software installer provides features that include the core software and providers. The core software feature includes the host-based storage agent, multipath driver, and MD Storage Manager application used to configure, manage, and monitor the storage array solution.

The providers feature include providers for the Microsoft Virtual Disk Service (VDS) and Microsoft Volume Shadow-Copy Service (VSS) framework.



NOTE: For more information about the Microsoft VDS and Microsoft VSS providers, see the Owner's Manual.



NOTE: To install the software on a Windows system, you must have administrative privileges.

The PowerVault MD32xx Series resource media offers the following installation methods:

- GUI-based Installation (Recommended)—The installer presents a graphical wizard-driven interface that allows customization of components to be installed.
- Silent Installation—This installation procedure is useful for users who prefer to create scripted installations.

Graphical Installation (Recommended)

To complete graphical installation:

- 1 Close all other programs before installing any new software.
- 2 Insert the resource media.
- 3 Select **Install MD32xx Storage Software**.



NOTE: If the host server is running Windows Server Core version or if the launcher does not automatically run, navigate to the root of the media and run **md_launcher.exe** for Windows.

- 4 Install the MD Storage software. Select one of the following installation options:
 - Full—This package installs core software, providers, and utilities. It includes the necessary host-based storage agent, multipath driver, MD Storage Manager, providers, and optional utilities.
 - Host Only—This package includes the host context agent, multipath drivers, and optional utilities required to configure the host.
 - Management Station—This package includes the MD Storage, Manager, providers, and optional utilities.
 - Custom—This option allows you to select specific components.
- 5 Reboot each host server.

Silent Installation

This option allows you to install the software in an unattended mode. To run the silent installation in a Windows system follow the steps listed below:

- 1 To begin the installation with all the default options, navigate to the windows folder on the resource media and run the following command:

```
md32xx_install -i silent
```

- 2 To specify which features are to be installed silently, modify the **custom_silent.properties** file located in the same directory and copy it to a writable location on the host server. This file contains a list of supported features and their descriptions. To utilize the modified **custom_silent.properties** file, run the command:

```
md32xx_install -f
```

```
C:\path\to\custom_silent.properties
```

Post Installation Tasks

Before using the PowerVault MD32xx Series storage array for the first time, complete a number of initial configuration tasks in the order shown. These tasks are performed using the MD Storage Manager (MDSM) software.

To complete the post installation tasks:

- 1 For out-of-band management, set the network configuration for each RAID controller module, including its Internet Protocol (IP) address, subnetwork mask (subnet mask), and gateway.



NOTE: You can set the network configuration using a DHCP server.

- 2 Start MDSM.
 - On Microsoft Windows operating systems, click **Start**→ **Programs**→ **Dell**→ **MD Storage Manager**→ **Modular Disk Storage Manager Client**.
- 3 In the **Enterprise Management Window (EMW)**, go to **Setup**→ **Add Storage Array** and start the automatic discovery of systems.



NOTE: Only storage arrays configured with IP address on the same subnet as the management stations will be detected.



NOTE: It may take several minutes for the discovery process to complete. Closing the Automatic Discovery Status window before this stops the discovery process.

After discovery is complete, a confirmation screen appears.

- 4 Click **Close** to close the screen.

Verifying Storage Array Discovery

The Automatic Discovery option automatically discovers both in-band and out-of-band arrays and adds the storage arrays to the management domain. If the out-of-band or in-band connections shown on the summary page are not accurate, complete the following steps:

To verify storage array discovery:

- 1 Check the hardware and connections for possible problems. For specific procedures on troubleshooting interface problems, see the relevant storage array's *Owner's Manual*.

- 2 Verify that the array is on the local subnetwork. If it is not, click the **New** link to manually add it.
- 3 Verify that the status of each storage array is **Optimal**. If any array shows an Unresponsive status, complete one of the following steps:
 - a To remove the array from the management domain, highlight the array and then click **Remove** link.
 - b To add an array, click **New** link and click **OK**.
- 4 If the array still shows an Unresponsive status, contact Dell.

Initial Setup Tasks

To complete initial setup tasks:

- 1 The name of the first storage array found appears in the devices tab of the EMW. To see a list of all storage arrays found on the local network, expand the discovered storage arrays tab in the device pane of the EMW.
- 2 The default name for a newly installed MD32xx Series storage array is **Unnamed**. If another name appears in MDSM, click the down arrow next to the name and click **Unnamed** in the drop-down list.
- 3 Double-click on the discovered array to launch the array management window and make changes to the configuration of the array.
- 4 Click **Perform Initial Setup Tasks** to see an outline and links to the remaining post-installation tasks. The array is now ready to be configured.



NOTE: Before configuring the storage array, check the status icons on the Device pane to ensure that the enclosures in the storage array are in an Optimal status. For more information, see the relevant storage array's *Owner's Manual* at support.dell.com/manuals.

Enabling Premium Features (Optional)

If you ordered premium features, follow the instructions on the Premium Features Card to install the additional features.

Setting Up an iSCSI Cluster for Dell PowerVault Storage Enclosures

⚠ WARNING: Before you begin any of the procedures in this section, read the safety information that shipped with your system. For additional best practices information, see dell.com/regulatory_compliance.

This section provides information and procedures for configuring your Dell PowerEdge system and the PowerVault MD32xxi and MD12xx storage enclosures to function in an Oracle Real Application Cluster (RAC) environment.

Verify the hardware connections, and the hardware and software configurations using the Supported Configuration section of the *Dell PowerVault MD32xxi Support Matrix* at support.dell.com/manuals.

Table 4-1. iSCSI Hardware Interconnections

Cluster Component	Connections
PowerEdge system node	<ul style="list-style-type: none"> • One CAT 5e/6 cable from public NIC to the local area network (LAN) • One CAT 5e/6 cable from private Gigabit NIC to Gigabit Ethernet switch (private network) • One CAT 5e/6 cable from redundant private Gigabit NIC to redundant Gigabit Ethernet switch (private network) • One CAT 5e/6 cable from iSCSI Gigabit NIC to Gigabit Ethernet switch (iSCSI network)
PowerVault MD30xxi storage system	<ul style="list-style-type: none"> • Two CAT 5e/6 cables connected to LAN (one from each storage processor module) for the management interface • Two CAT 5e/6 cables per storage processor for iSCSI interconnect <p>NOTE: For additional information on the PowerVault MD32xxi storage enclosure, see the PowerVault MD32xxi documentation at support.dell.com/manuals.</p>

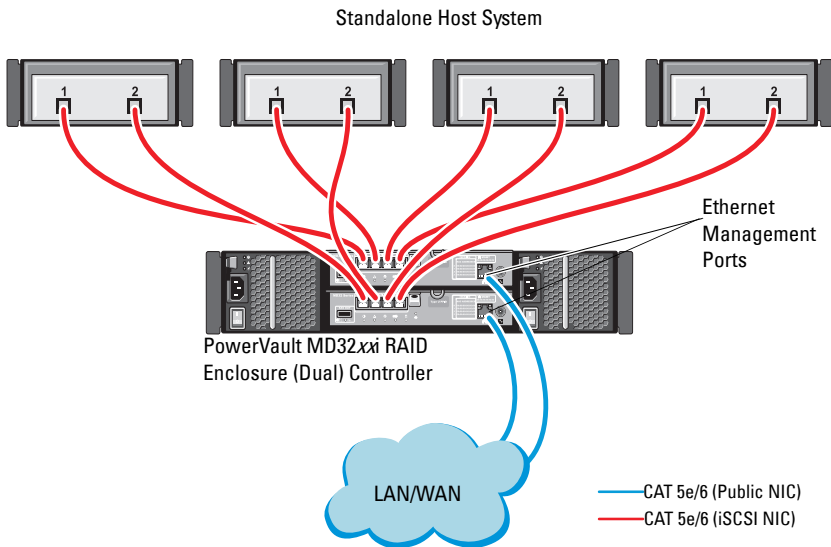
Table 4-1. iSCSI Hardware Interconnections (continued)

Cluster Component	Connections
PowerVault MD12xx storage expansion enclosure (optional)	Additional SAS cable connections, as required for the PowerVault MD12xx expansion enclosure

Setting Up the Hardware

Direct-attached iSCSI clusters are limited to four nodes only.

Figure 4-1. Cabling iSCSI Direct-Attached Clusters



To configure your nodes in a direct-attached configuration, see Figure 4-1.

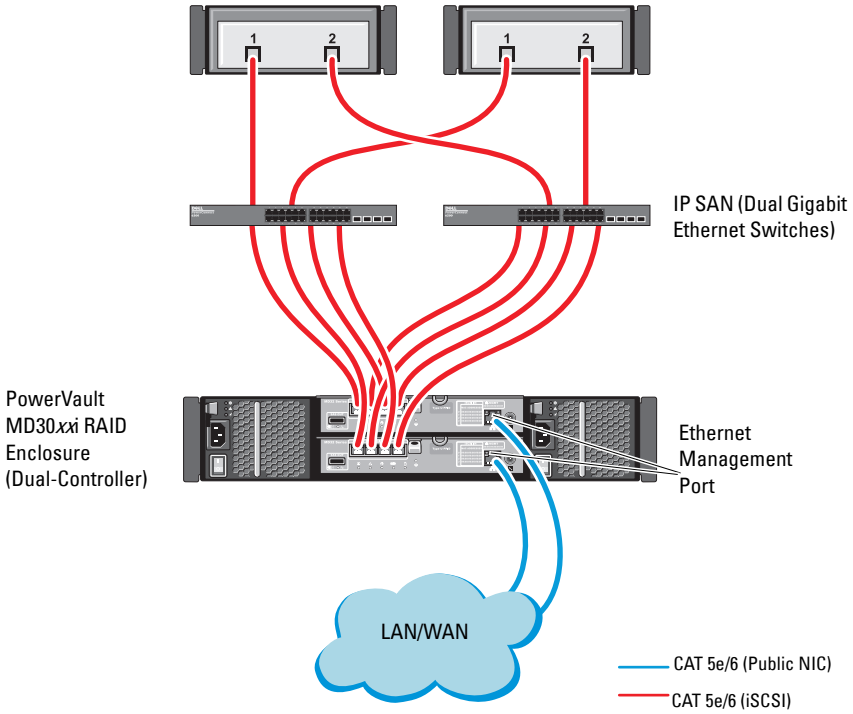
- 1** Connect one CAT 5e/6 cable from a port (iSCSI HBA or NIC) of node 1 to the **In-0** port of RAID controller 0 in the PowerVault MD32xxi storage enclosure.
- 2** Connect one CAT 5e/6 cable from the other port (iSCSI HBA or NIC) of node 1 to the **In-0** port of RAID controller 1 in the PowerVault MD32xxi storage enclosure.
- 3** Connect one CAT 5e/6 cable from a port (iSCSI HBA or NIC) of node 2 to the **In-1** port of RAID controller 0 in the PowerVault MD32xxi storage enclosure.
- 4** Connect one CAT 5e/6 cable from the other port (iSCSI HBA or NIC) of node 2 to the **In-1** port of RAID controller 1 in the PowerVault MD32xxi storage enclosure.
- 5** Repeat step 1 to step 4 for node 3 and node 4 to connect to In-2 and In-3 of RAID controller 0 and RAID controller 1.
- 6** If applicable, connect two SAS cables from the two PowerVault MD32xxi storage enclosures **Out** ports to the two In ports of the first PowerVault MD12xx expansion enclosure.
- 7** If applicable, connect two SAS cables from the two PowerVault MD12xx storage enclosures **Out** ports to the In ports of the second MD12xx expansion enclosure.



NOTE: For information on configuring the PowerVault MD12xx expansion enclosure, see the PowerVault MD32xxi storage system documentation at support.dell.com/manuals.

Switched iSCSI clusters can support up to thirty two nodes.

Figure 4-2. Cabling iSCSI Switched Clusters



To configure your nodes in a switched configuration, see Figure 4-2.

- 1** Connect one CAT 5e/6 cable from a port (iSCSI HBA or NIC) of node 1 to the port of network switch 1.
- 2** Connect one CAT 5e/6 cable from a port (iSCSI HBA or NIC) of node 1 to the port of network switch 2.
- 3** Connect one CAT 5e/6 cable from a port (iSCSI HBA or NIC) of node 2 to the port of network switch 1.
- 4** Connect one CAT 5e/6 cable from a port (iSCSI HBA or NIC) of node 2 to the port of network switch 2.
- 5** Connect two CAT 5e/6 cables from switch 1 to the **In-0** port of RAID controller 0 in the PowerVault MD32xxi storage enclosure.
- 6** Connect two CAT 5e/6 cables from two other ports of switch 1 to the RAID controller 1 in the PowerVault MD32xxi storage enclosure.
- 7** Connect two CAT 5e/6 cables from a port of switch 2 to the RAID controller 0 in the PowerVault MD32xx storage enclosure.
- 8** Connect two CAT 5e/6 cables from two other ports of switch 2 to the RAID controller 1 in the PowerVault MD32xxi storage enclosure.
- 9** If applicable, connect two SAS cables from the two PowerVault MD32xxi storage enclosures **Out** ports to the two **In** ports of the first PowerVault MD12xx expansion enclosure.
- 10** If applicable, connect two SAS cables from the two PowerVault MD32xx storage enclosures **Out** ports to the **In** ports of the second PowerVault MD12xx expansion enclosure.



NOTE: For information on configuring the PowerVault MD12xx expansion enclosure, see the PowerVault MD32xxi storage system documentation at support.dell.com/manuals. It is recommended to use a separate network for the iSCSI storage infrastructure. If a separate network cannot be dedicated for iSCSI, assign the storage function to a separate virtual local area network (VLAN); this action creates independent logical networks within a physical network.

Installing Host-Based Software Needed for Storage

To install the necessary host-based storage software for the PowerVault MD32xxi storage system, use the *Dell PowerVault Resource* media that came with your PowerVault MD32xxi storage system. Follow the procedures in the PowerVault MD32xxi storage enclosure documentation at support.dell.com/manuals, to install the Modular Disk Storage Manager Software (MDSM) on the Master node and the Multi-Path IO (MPIO) software on the remaining nodes.

Verifying and Upgrading the Firmware

To verify and update the firmware:

- 1 Discover the direct-attached storage of the host system using the MDSM software that is installed on the host system.
- 2 Verify that the firmware for the following storage components is at the minimum required version.
 - MD32xxi storage system firmware
 - MD12xx expansion enclosure firmware



NOTE: For the minimum firmware version requirements, select the **Dell Validated Components** link at dell.com/oracle.

Setting Up an iSCSI Cluster for the Dell PowerVault MD32xxi and MD12xx Storage Enclosures

Setting Up the Hardware

For assistance in setting up or installing your PowerVault MD32xxi and PowerVault MD12xx expansion enclosure, please refer to the PowerVault documentation at support.dell.com/manuals.

Installing Host-Based Storage Software

The PowerVault MD32xxi Series storage software installer provides features that include the core software, providers, and optional utilities. The core software feature includes the host-based storage agent, multipath driver, and MD Storage Manager (MDSM) application used to configure, manage, and monitor the storage array solution. The providers feature includes providers for the Microsoft Virtual Disk Service (VDS) and Microsoft Volume Shadow-Copy Service (VSS) framework. The Modular Disk Configuration Utility (MDCU) is an optional utility that provides a consolidated approach for configuring the management ports, iSCSI host ports, and creating sessions for the iSCSI Modular Disk storage arrays. It is recommended that you install and use MDCU to configure iSCSI on each host connected to the storage array.



NOTE: For more information about the Microsoft VDS and Microsoft VSS providers, see the Owner's Manual. To install the software on a Windows operating system, you must have administrative privileges.



NOTE: If Dynamic Host Configuration Protocol (DHCP) is not used, initial configuration of the management station must be performed on the same physical subnet as the storage array. Additionally, during initial configuration, at least one network adapter must be configured on the same IP subnet as the storage array's default management port (192.168.128.101 or 192.168.128.102). After initial configuration, the management ports are configured using MDSM and the management station's IP address can be changed back to the previous settings.

The PowerVault MD32xxi Series resource media provided offers the following installation methods:

- GUI-based Installation (Recommended)—The installer presents a graphical wizard-driven interface that allows customization of components to be installed.
- Silent Installation—This installation procedure is useful for users who prefer to create scripted installations.

Graphical Installation (Recommended)

To complete graphical installation:

- 1 Close all other programs before installing any new software.
- 2 Insert the resource media.
- 3 Select Install MD32xxi Storage Software.



NOTE: If the host server is running Windows Server Core version or if the launcher does not automatically run, navigate to the root of the media and run **md_launcher.exe**.

- 4 Install the MD Storage software. Select one of the following installation options:
 - Full—This package installs core software, providers, and utilities. It includes the necessary host-based storage agent, multipath driver, MD Storage Manager, providers, and optional utilities.
 - Host Only—This package includes the host context agent, multipath drivers, and optional utilities required to configure the host.
 - Management Station—This package includes the MD Storage Manager, providers, and optional utilities.
 - Custom—This option allows you to select specific components.
- 5 Reboot each host server.

Silent Installation

This option allows you to install the software in an unattended mode. To run the silent installation in a Windows system, perform the following steps:

- 1 To begin the installation with all the default options, navigate to the windows folder on the resource media and run the following command:
`md32xxi_install -i silent`


- 2 To specify which features are to be installed silently, you must modify the `custom_silent.properties` file located in the same directory and copy it to a writable location on the host server. This file contains a list of supported features and their descriptions. To utilize the modified `custom_silent.properties` file, run the command:

```
md32xxi_install -f <path>/custom_silent.properties
```

Enabling Premium Features (Optional)

If you ordered premium features, follow the instructions on the Premium Features Card to install the additional features.

Setting Up an iSCSI Cluster for the Dell|EqualLogic PS Series Storage System

 **WARNING:** Before you begin any of the procedures in this section, read the safety information that shipped with your system. For additional best practices information, see dell.com/regulatory_compliance.

EqualLogic Terminology

The EqualLogic PS series storage array includes storage virtualization technology. To better understand how these arrays operate, it is helpful to be familiar with some of the terminology used to describe these arrays and their functions:

- **Member**—A single PS series array
- **Group**—A set of one or more members that can be centrally managed; host systems access the data through a single group IP address
- **Pool**—A RAID that can consist of the disks from one or more members
- **Volume**—A LUN or virtual disk that represents a subset of the capacity of a pool

Setting Up the EqualLogic iSCSI Storage System

Host systems can be attached to the EqualLogic PS6010XV iSCSI array through an IP SAN industry-standard 10 Gigabit Ethernet switch. Figure 5-1 shows the recommended network configuration for a dual control module EqualLogic PS6010XV array. This configuration includes two Dell PowerConnect 10 Gigabit Ethernet switches to provide the highest network availability and the maximum network bandwidth. For more information, see EqualLogic's documentation at support.equallogic.com.

NOTE: It is recommended to use two 10 Gigabit Ethernet switches. In the event of a switch failure in a single Ethernet switch environment, all hosts lose access to the storage until the switch is physically replaced and the configuration restored. In such a configuration, there must be multiple ports with link aggregation providing the inter-switch, or trunk connection. From each of the control modules, it is recommended to connect one Gigabit interface to one Ethernet switch, and to connect the other two Gigabit interfaces to the other Ethernet switch.

Figure 5-1. Recommended Network Configuration

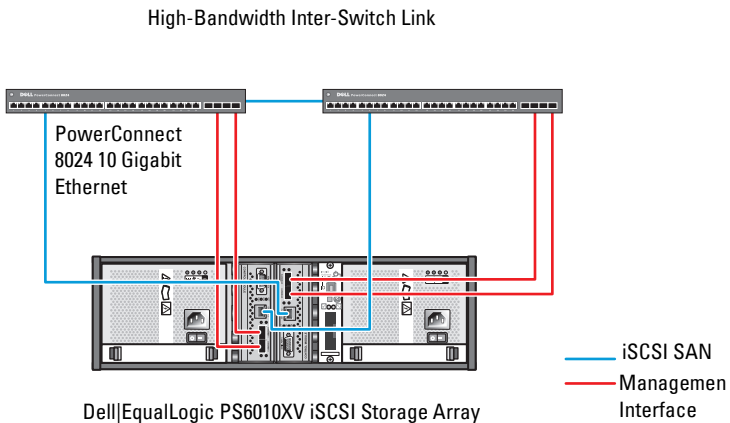
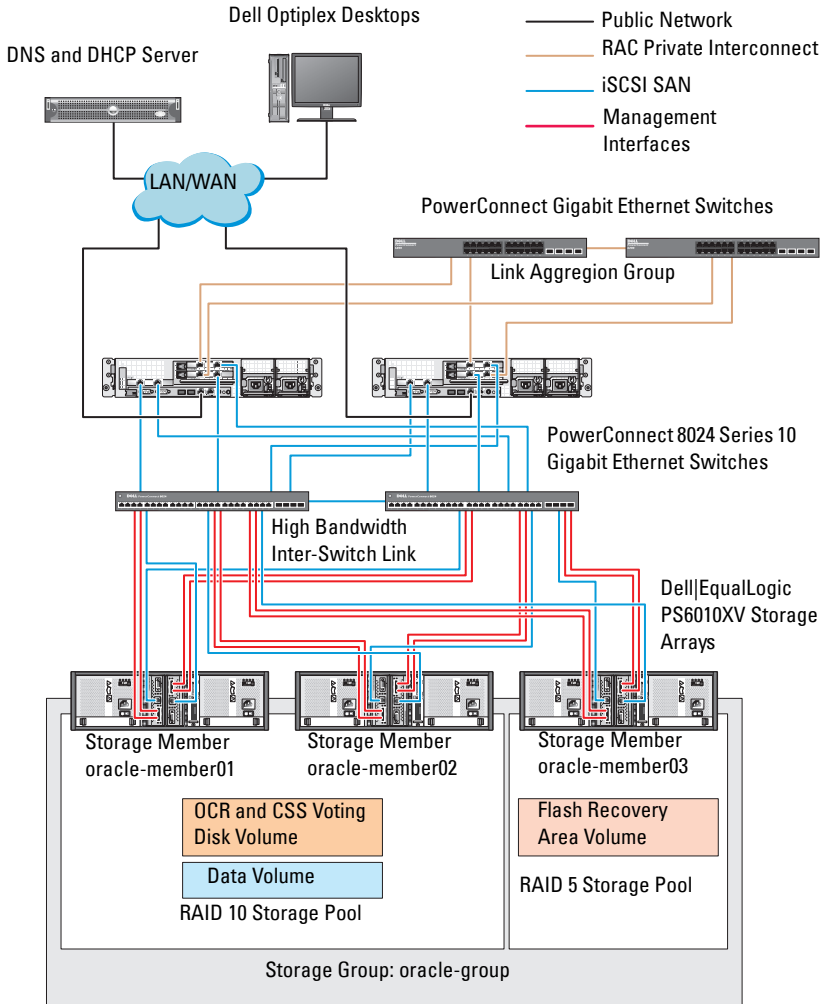


Figure 5-2 is an architectural overview of a sample Oracle Real Application Cluster (RAC) configuration with three Dell|EqualLogic PS6010XV arrays. The Dell|EqualLogic PS6010XV storage arrays provide the physical storage capacity for the RAC database. The group `oracle-group` includes three Dell|EqualLogic PS6010XV members: `oracle-member01`, `oracle-member02`, and `oracle-member03`. When a member is initialized, it can be configured with RAID 10, RAID 5, or RAID 50.

Figure 5-2. Configuring a Sample Oracle RAC With Three PS6010XV Arrays



NOTE: For more information on how to initialize an EqualLogic array, see the *Dell EqualLogic User's Guide* at support.dell.com/manuals.

An EqualLogic PS-series storage group can be segregated into multiple tiers or pools. Tiered storage provides administrators with greater control over how disk resources are allocated. At any one time, a member can be assigned to only one pool. It is easy to assign a member to a pool and to move a member between pools with no impact to data availability. Pools can be organized according to different criteria, such as disk types or speeds, RAID levels, and application types.

In Figure 5-2, pools are organized by member RAID levels:

- One pool with the name RAID 10 consists of RAID10 members.
- One pool with the name RAID 5 consists of RAID 5 members.

Creating Volumes

Before storing data, configure the physical disks of the EqualLogic PS6010XV storage array into usable components known as volumes. A volume represents a portion of the storage pool with a specific size, access controls, and other attributes. A volume can be spread across multiple disks and group members. The volume is seen on the network as an iSCSI target. Volumes are assigned to a pool and can be easily moved between pools, with no impact to data availability. In addition, based on the overall workload of the storage hardware resources within the pool, automatic data placement and automatic load balancing occurs within a pool.

Table 5-1 shows a sample volume configuration.

Table 5-1. Configuring Volumes for Oracle RAC

Number of Volumes	Minimum Size	RAID	Number of Partitions	Used For	Operating System Mapping
Three	1024 MB	10	One	Voting Disk, Oracle Cluster Registry (OCR)	ASM disk group for OCR and Voting disk
One	Larger than the size of your database	10	One	Data	ASM disk group DATABASEDG
One	Minimum twice the size of your second area volume(s)	5	One	Flash Recovery Area	ASM disk group FLASHBACKDG
One (Optional)	10 GB	10	One	Shared DB Home	ASM disk group for Shared DB Home

Create volumes in the Dell | EqualLogic PS6010XV array and create access list to allow all host iSCSI network interfaces to access the volumes. For example, the following volumes are created:

- mdi-ocr
- mdi-data1
- mdi-fra1

Configuring iSCSI Networks



NOTE: It is recommended that you configure the host network interfaces for iSCSI traffic to use Flow Control and Jumbo frame for optimal performance.

To set Flow Control and Jumbo frame, perform the following steps:

- 1** Click **Start** → **Search programs and files**, type **View network connections**.
- 2** Click on **View network connections** in the search results.
- 3** Select the **iSCSI network interface**, and right-click **Properties**.

- 4 Click **Configure**.
- 5 Click **Advanced**.
- 6 Select **Jumbo Packet**, and set its value to 9014 bytes.
- 7 Select **Performance Options**, then click **Properties**.
The **Performance Options** window is displayed.
- 8 Select **Flow Control**, and set its value to **Rx & Tx Enabled**.
- 9 Repeat step 3 to step 8 for all other network interfaces used for iSCSI traffic.

Configuring Host Access to Volumes

Installing and Configuring Dell EqualLogic Host Integration Tool (HIT) Kit

- 1 Download the latest HIT tool kit on your database server.
- 2 Double click **setup64.exe** to launch the installation window.
- 3 In the **Welcome to the Host Integration Tools 3.5.1 Installation Program** window, click **Next**.
- 4 In the **License Agreements** window, select **I accept the terms of all the license agreements**, and click **Next**.
- 5 On the **Installation Type** window, select **Typical** and click **Next**.



NOTE: If the **Microsoft iSCSI Initiator service not running** window is displayed then click **No**.

- 6 On the **Ready to install the components** window, click **Install**.

The **Installation Status** window and the **Software Update Installation Wizard** window are displayed.



NOTE: If the **Microsoft Multipath I/O feature not detected** window is displayed then click **Yes** to install MS Multipath I/O automatically.



NOTE: If the **Microsoft iSCSI Initiator service not running** window is displayed then click **Yes**.



NOTE: If the **iSCSI Initiator Properties** window is displayed then click **Cancel**. (For more information on iSCSI configuration see "Configuring Microsoft iSCSI Initiator" on page 49).

- 7 On the **Installation Complete** window, select **Launch Remote Setup Wizard**, and click **Finish**.

- 8 On the **System Restart Required** window, select **Yes, I want to restart my computer now**, and click **OK**.

On completion of reboot, the **Remote Setup Wizard** window is displayed.

- 9 Select **Configure MPIO settings for this computer**, then click **Next**.
- 10 Move the **iSCSI network subnets** under **Subnets included for MPIO**.
- 11 Move all other network subnets under **Subnets excluded from MPIO**.



NOTE: If you do not see all your subnets then ensure that your Microsoft iSCSI Initiator Service is running. You may have to restart the **EqualLogic Remote Setup Wizard** after iSCSI Initiator is started.

- 12 Click **Finish**.




NOTE: It is recommended that you set the default value for Load Balancing to **Least Queue Depth**.


- 13 Repeat step 1 to step 9 on all other hosts in the cluster.

Configuring Microsoft iSCSI Initiator

- 1 Click **Start** and type `iSCSI Initiator` in the search box. Click **iSCSI Initiator** from the list of results.
- 2 In the **Discovery** tab of the **iSCSI Initiator Properties** window, the IP address of the EqualLogic group address should already be populated by the HIT tool kit.
- 3 If the group IP address does not exist in the **Discovery** tab then click **Discover Portal**.
 - a Type the EqualLogic Group IP Address in the **IP Address or DNS name** field.
 - b Click **Advanced**.
 - c In the **Advanced Settings** window, choose **Microsoft iSCSI Initiator** using the **Local adapter** drop-down menu.
 - d Choose an iSCSI initiator IP address using the **Source IP** drop-down menu.
 - e If you are not using CHAP for Volume Authentication then skip to step i else continue.
 - f Select **Enable CHAP log on**.

- g** Enter the CHAP user name defined in EqualLogic storage in the **User name** box.
 - h** Enter the CHAP password defined in EqualLogic storage in the **Target secret** box.
-  **NOTE:** The CHAP password must be at least 12 characters long.
- i** Click **OK**.
- 4** In the **Targets** tab of the **iSCSI Initiator Properties** window, click on one volume that was created for the Oracle database and click **Connect**.
 - 5** On the **Connect to Target** window, select both **Add this connection to the list of Favorite Targets** and **Enable multi-path** and click **Advanced**.
 - 6** On the **General** tab in the **Advanced Settings** window, perform the following configurations:
 - a** Choose **Microsoft iSCSI Initiator** using the **Local adapter** drop-down menu.
 - b** Choose an **iSCSI initiator IP address** using the **Source IP** drop-down menu.
 - c** Choose **EqualLogic group IP address** using the **Target Portal** drop-down menu.
 - d** Select **CHAP logon information**.
 - e** Enter the CHAP user name defined in EqualLogic storage in the **User name** box.
 - f** Enter the CHAP password defined in EqualLogic storage in the **Target secret** box.
 - g** Click **OK**.
 - 7** On the **Connect to Target** window, click **OK**.
 - 8** On the **Targets** tab of the **iSCSI Initiator Properties** window, the status of the logged on volume should be **Connected**.
 - 9** Repeat step 3 to step 8 to log on to the same volume for every other iSCSI initiator IP addresses.
 - 10** Repeat step 3 to step 9 to log on to all other volumes created for the database.
 - 11** Repeat step 1 to step 9 on all other hosts in the cluster.


Configuring Database Storage on the Host

 **WARNING:** Before you begin any of the procedures in this section, read the safety information that shipped with your system. For additional best practices information, see dell.com/regulatory_compliance.

Oracle Real Application Clusters (RAC) requires an ordered list of procedures. The following sections describe how to verify, adjust, and configure the storage disks for the direct-attached SAS, or iSCSI storage on your host.


Verifying and Identifying Your Storage Disks

While configuring the clusters, create partitions on your direct-attached SAS, or iSCSI storage system. To create the partitions, all the nodes must detect the external storage devices.

 **NOTE:** The procedure in this section describes how to deploy the Oracle database for direct-attached SAS storage if direct-attached SAS or iSCSI storage (Dell PowerVault MD32xx, MD32xxi, or Dell|EqualLogic storage array) is used.

Verifying the Storage Assignment to the Nodes

- 1 Click **Start**→ **Administrative Tools**→ **Server Manager**.
- 2 On the **Server Manager** window, click **Device Manager**.
- 3 Expand **Storage** and click **Disk Management**.
 - a Right-click the volume and click **Online**.
 - b Right-click the volume, select **Initialize**, and click **OK** on the **Initialize Disk** window.
 - c Repeat step a to step b for all the volumes.

 **NOTE:** This procedure ensures that your disks are configured as basic disks.

- 4 On the **Disk Management** window, verify if four disks appear. The disks should be similar in size to each other and to the virtual disks that are assigned to the nodes in the storage system.
- 5 Repeat step 1 to step 4 on the remaining nodes.

Preparing the Disks for Oracle Clusterware, Database, and Backup

This section provides information for creating the logical drives for the following disks:

- Oracle Cluster Registry disk (OCR)—Contains the cluster configuration information.
- Voting disk—Provides arbitration between the cluster nodes when the private network or attached storage is unavailable to one or more nodes.
- Data and backup disks—Provide storage areas for creating the database (data disk) and saving the backup and log data (backup disk).

During the cluster configuration described in this document, ensure that the cluster nodes can detect the logical disks that are created in the attached storage system, when you create the partitions on shared storage.

To prepare the disks for Oracle Clusterware, identify the OCR, voting, data and flash recovery area disks. After you identify the appropriate disks, perform the following steps on node 1:

Enabling the Automount Option for the Shared Disks

- 1 On node 1, click **Start**→**Run**.
- 2 Type `cmd` and click **OK**.
- 3 At the command prompt, type `diskpart` and press <Enter>.
- 4 At the DISKPART command prompt, type `automount enable` and press <Enter>. The following message is displayed: Automatic mounting of new volumes enabled.
- 5 At the DISKPART command prompt, type `exit` and press <Enter>.
- 6 Close the command prompt.
- 7 Repeat step 1 to step 5 on each of the remaining nodes.

Preparing the OCR and Voting Disk for Clusterware, Database Disk and Flash Recovery Area for Database Storage With ASM on Windows 2008 R2 SP1

The procedure to create extended partitions and logical drives is as follows:

- 1 Click **Start**→ **Run** and type `cmd` and press <Enter> to open a command prompt window.
- 2 Type `diskpart` in the command prompt to open the diskpart interface.
- 3 Type `list disk` and the following table is displayed:

Disk ###	Status	Size	Free	Dyn	GPT
Disk 0	Online	37 GB	0 MB	-	-
Disk 1	Online	2048 MB	2048 MB	-	-
Disk 2	Online	100 GB	100 GB	-	-
Disk 3	Online	200 GB	200 GB	-	-

- 4 Enter `select disk [disk #]` of the target disk.



NOTE: The following steps explain how to create partitions and logical disks for MBR disk.

- 5 Type `create partition extended` and press <Enter>.
- 6 Type `create partition logical size=<size of volume in megabytes>` and press <Enter>.
- 7 Repeat step 4 through step 6 on all the disks identified for Clusterware (OCR and Voting Disks) and on all the disks identified for Database Storage (Database disk and Flash Recovery Area).

Removing the Assigned Drive Letters

- 1** Click **Start**→ **Administrative Tools**→ **Server Manager**.
- 2** Expand **Storage** and click **Disk Management**.
- 3** If you find any drive letters assigned to the drives that you created in "Preparing the OCR and Voting Disk for Clusterware, Database Disk and Flash Recovery Area for Database Storage With ASM on Windows 2008 R2 SP1" on page 53, perform the following steps:
 - a** Right-click the logical drive and select **Change Drive Letter and Paths**.
 - b** Select the drive letter and click **Remove**.
 - c** In the **Confirm** window, click **Yes**.
 - d** Repeat step a through step c for the remaining logical drives on the storage partition.

Index

C

cabling
 iSCSI cluster, 34

H

help, 8
 Dell support, 8
 Oracle support, 8

M

Modular Disk Storage
 Manager, 26
MPIO software, 26

N

NIC
 port assignments, 9

P

PowerConnect switch, 43

R

Resource Media
 PowerVault MD3000, 27

S

SAS
 cluster setup, 23, 33, 43, 51

T

term
 Group, 43
 Member, 43
 Pool, 43
 Volume, 43

V

volumes, 46

Dell PowerEdge 系统
Microsoft Windows Server x64
上的 Oracle 数据库
存储设备和网络
指南
版本 1.6



注、小心和警告



注：“注”表示可以帮助您更好地使用计算机的重要信息。



小心：“小心”表示如果不遵循说明，就有可能损坏硬件或导致数据丢失。



警告：“警告”表示可能会造成财产损失、人身伤害甚至死亡。

本出版物中的信息如有更改，恕不另行通知。

© 2011 Dell Inc. 版权所有，翻印必究。

未经 Dell Inc. 书面许可，严禁以任何形式复制这些材料。

本文中使用的商标：Dell™、DELL 徽标、EqualLogic™、Optiplex™、PowerConnect™、PowerEdge™ 和 PowerVault™ 是 Dell Inc. 的商标。Broadcom® 是 Broadcom Corp 的商标。Intel® 是 Intel 在美国和其它国家 / 地区的注册商标。Oracle® 是 Oracle Corporation 和 / 或其子公司的注册商标。Microsoft®、Windows® 和 Windows Server® 是 Microsoft Corporation 在美国和 / 或其它国家 / 地区的商标或注册商标。

本文件中提及的其它商标和商品名称是指拥有相应标记和名称的公司或其产品。Dell Inc. 对自己的商标和商品名称不拥有任何专有权。

2011 年 4 月 Rev. A00

目录

1	概览	63
	部署 Dell Oracle 11g R2 Database 所需的说明文件	63
	本说明文件中使用的术语	64
	获得帮助	64
	Dell 支持	64
	Oracle 支持	64
2	配置网络	65
	对网络适配器禁用 IPv6	65
	为专用网络适配器配置 NIC 组队	66
	为公用网络适配器和专用网络适配器配置 IP 地址	68
	IP 地址和名称解析要求	70
	对于使用 GNS 的群集	70
	对于使用 DNS 的群集	72
	启用 IPMI	74
	启用 IPMI 的前提条件	74
	配置 Managed System	74
	底板管理控制器配置	75

3	设置用于 Dell PowerVault 存储设备盘柜的 SAS 群集	79
	设置硬件	81
	安装基于主机的存储软件	82
	验证并升级固件	83
	安装 SAS HBA 适配器驱动程序	83
	安装基于主机的存储软件	83
	安装 MD 存储软件	84
	安装后任务	85
	验证存储阵列搜索	86
4	设置用于 Dell PowerVault 存储设备盘柜的 iSCSI 群集	87
	设置硬件	88
	安装存储设备所需的基于主机的软件	92
	验证并升级固件	92
	设置用于 Dell PowerVault MD32xxi 和 MD12xx 存储设备盘柜的 iSCSI 群集	93
	设置硬件	93
	安装基于主机的存储软件	93

5	设置用于 Dell EqualLogic PS 系列存储系统的 iSCSI 群集	95
	EqualLogic 术语	95
	设置 EqualLogic iSCSI 存储系统	95
	创建卷	98
	配置 iSCSI 网络	99
	配置主机对卷的访问权限	100
6	在主机上配置数据库存储设备	103
	验证和识别存储磁盘	103
	验证节点的存储分配	103
	为 Oracle 群集件、数据库和备份准备磁盘	104
	为共享磁盘启用自动安装选项	104
	为 Windows 2008 R2 SP1 上使用 ASM 的数据库存储准备用于群集件、数据库磁盘和快擦写恢复区域的 OCR 和投票磁盘	105
	删除分配的驱动器号	106
	索引	107

概览

本说明文件提供了如何配置在安装 Microsoft Windows Server 2008 R2 SP1 操作系统的系统上运行 Dell|Oracle 数据库所需的网络和存储设备的说明。本说明文件中的步骤适用于运行在 Microsoft Windows Server x64 上的 Oracle Database 11g R2。有关您的系统支持的网络和存储设备配置的列表，请访问 dell.com/oracle 并选择 **Dell Validated Components**（经过验证的 Dell 组件）。

部署 Dell|Oracle 11g R2 Database 所需的说明文件

除《*Dell PowerEdge Systems Oracle Database on Microsoft Windows Server x64 Storage and Network Guide*》（Dell PowerEdge 系统：Microsoft Windows Server x64 上的 Oracle 数据库 - 存储设备和网络指南）之外，Dell|Oracle 数据库安装说明文件集还包括以下指南：

- 《*Dell PowerEdge Systems Oracle Database on Microsoft Windows Server x64-Operating System and Hardware Installation Guide*》（Dell PowerEdge 系统：Microsoft Windows Server x64 上的 Oracle 数据库 - 操作系统和硬件安装指南）— 介绍要求的最低硬件和软件版本、如何安装和配置操作系统、如何验证硬件和软件配置以及如何获取开放源代码文件。
- 《*Dell PowerEdge Systems Oracle Database on Microsoft Windows Server x64-Database Setup and Installation Guide*》（Dell PowerEdge 系统：Microsoft Windows Server x64 上的 Oracle 数据库 - 数据库设置和安装指南）— 介绍如何安装和配置 Oracle 数据库。
- 《*Dell PowerEdge Systems Oracle Database on Microsoft Windows Server x64-Troubleshooting Guide*》（Dell PowerEdge 系统：Microsoft Windows Server x64 上的 Oracle 数据库 - 故障排除指南）— 介绍如何在之前模块介绍的安装过程中进行故障排除并解决遇到的错误。

本说明文件中使用的术语

本说明文件使用术语卷和虚拟磁盘。这些术语是同义词并可互换使用。术语卷通常在 Dell EqualLogic iSCSI 存储系统环境中使用，而虚拟磁盘通常在 Dell PowerVault SAS 和 iSCSI（Dell PowerVault MD3000/MD32xx/MD36xxi 和带有 Dell PowerVault MD1000/MD12xx 扩展的 Dell PowerVault MD3000i/MD32xxi）存储环境中使用。

获得帮助

Dell 支持

- 有关使用系统的详情，请参阅随系统组件附带的说明文件。
- 有关白皮书、Dell 支持的配置和一般信息，请访问 dell.com/oracle。
- 要获得对硬件和操作系统软件的 Dell 技术支持并下载最新的系统更新，请访问 support.dell.com。
- 有关 Dell 企业培训服务的信息，请访问 dell.com/training。



注：培训服务可能并非在所有地区都提供。

Oracle 支持

- 有关 Oracle 软件 and 应用程序群集件的培训信息以及有关与 Oracle 联络的信息，请访问 oracle.com 或参阅 Oracle 说明文件。
- 有关技术支持、下载和其它技术信息，请访问 support.oracle.com。
- 有关安装和配置 Oracle 的信息，请参阅 support.dell.com/manuals 上的《Oracle Dell PowerEdge Systems Oracle Database on Microsoft Windows Server x64-Database Setup and Installation Guide》（Oracle Dell PowerEdge 系统：Microsoft Windows Server x64 上的 Oracle 数据库 - 数据库设置和安装指南）。

配置网络

本节介绍关于配置公用和专用群集网络的信息。



注：每个节点都需要一个唯一的公用和专用网际协议 (IP) 地址，以及一个附加公用 IP 地址，该附加公用 IP 地址用作客户端连接和连接故障转移的虚拟 IP 地址。虚拟 IP 地址必须与公用 IP 地址属于同一个子网。所有公用 IP 地址，包括虚拟 IP 地址，都应该在域命名服务 (DNS) 中注册。如果 DNS 服务器不可用，则必须在所有群集节点上的主机文件中注册 IP 地址。

如表 2-1 中所示，根据可用 NIC 端口的数量配置接口。

表 2-1. NIC 端口分配

NIC 端口	可用的端口
1	公用 IP、虚拟 IP 和单一客户端访问名称 (SCAN) IP
2	专用 IP (NIC 组队)
3	专用 IP (NIC 组队)

对网络适配器禁用 IPv6

IPv6 未经 Grid Infrastructure 认证，在安装 Grid Infrastructure 前应被禁用。

禁用所有节点上的 IPv6：


- 1 单击 **Start** (开始) → **Administrative tools** (管理工具) → **Server Manager** (服务器管理器)。
- 2 在 **Server Manager** (服务器管理器) 窗口中，展开 **Diagnostics** (诊断程序)。
- 3 单击 **Device Manager** (设备管理器) → **View** (查看) → **Show hidden devices** (显示隐藏设备)。应禁用 Microsoft 故障转移群集适配器和所有隧道适配器 (Microsoft ISATAP、6to4、Teredo)。
- 4 打开 **Regedit** 并**备份注册表**。

- 5 导航到
HKEY_LOCAL_MACHINE\SYSTEM\CurrentControlSet\Services\Tcpip6\Parameters\。
- 6 双击 DisabledComponents 进行修改。如果未列出任何值，请单击 Edit（编辑）→New（新建）→DWORD (32-bit) Value（DWORD [32 位] 值）。
- 7 键入 DisabledComponents 并按 <Enter> 键。
- 8 输入 DWORD 值：0xffffffff。
将禁用所有 IPv6 组件，但 IPv6 回送接口除外。

为专用网络适配器配置 NIC 组队


- 1 在节点 1 上，确定两个要用于 NIC 组队的网络适配器。
- 2 使用以太网电缆从每个选定的网络适配器连接至专用网络交换机。
- 3 如果节点 1 配置为使用 Broadcom NIC，请转至步骤 4。如果节点 1 配置为使用 Intel NIC，请通过执行以下步骤配置 NIC 组队：
 - a 单击 Start（开始）→Administrative tools（管理工具）→Server Manager（服务器管理器）。
 - b 在 Server Manager（服务器管理器）窗口中，选择 Device Manager（设备管理器）。
 - c 展开 Network Adapters（网络适配器）选项卡。
 - d 右键单击确定用于 NIC 组队的 Intel NIC，然后选择 Properties（属性）。
 - e 单击 Teaming（组队）选项卡。
 - f 选择 Team with other Adapters（与其它适配器组队），然后选择 New Team（新建组队）。
 - g 指定 NIC 组队的名称，然后单击 Next（下一步）。
 - h 在 Select the adapters to include in this team（选择要包括在此组队中的适配器）框中，选择用于 NIC 组队的其余网络适配器，然后单击 Next（下一步）。
 - i 在 Select a team mode（选择组队模式）中，选择 Adaptive Load Balancing（自适应负载均衡）。
 - j 单击 Finish（完成）以完成组队。

- k** 在 **Team Properties**（组队属性）窗口中，单击 **OK**（确定）。
 - l** 在 Intel NIC 的 **Properties**（属性）窗口中，单击 **OK**（确定）。
 - m** 关闭 **Computer Management**（计算机管理）窗口。
- 4** 如果使用 Broadcom NIC 配置节点 1，请通过执行以下步骤配置 NIC 组队。否则转至步骤 5。
- a** 单击 **Start**（开始）→ **All Programs**（所有程序）→ **Broadcom**→ **Broadcom Advanced Control Suite 3**（Broadcom 高级控制套件 3）。
随即显示 **Broadcom Advanced Control Suite 3**（Broadcom 高级控制套件 3）窗口。
 - b** 选择 **Team Management**（组队管理），然后右键单击 **Teams**（组队）并选择 **Create a Team**（创建组队）。
随即显示 **Broadcom Teaming Wizard**（Broadcom 组队向导）窗口。
 - c** 单击 **Next**（下一步）。
 - d** 在 **Enter the name for the team**（输入组队的名称）字段中，键入 **Private**，然后单击 **Next**（下一步）。
 - e** 在 **Team Type**（组队类型）字段中，选择 **Smart Load Balancing (TM)**（智能负载均衡 [TM]）和 **Failover (SLB)**（故障转移 [SLB]），然后单击 **Next**（下一步）。
 - f** 在 **Assigning Team Members**（分配组队成员）窗口的 **Available Adapters**（可用适配器）框中，选择标记用于 NIC 组队的网络适配器，然后将其添加到 **Team Members**（组队成员）框中。
将此适配器包括在组队中会破坏系统管理功能。
 - g** 单击 **Yes**（是）继续。
 - h** 单击 **Next**（下一步）。
 - i** 在 **Designating a Standby Member**（指定备用成员）窗口中，选择 **NIC**，或者选择 **Do not configure a standby member**（请勿配置备用成员）。
 - j** 在 **Configuring Live Link**（配置活动链接）窗口中，选择 **No**（否），然后单击 **Next**（下一步）。

- k 在 **VLAN Support**（VLAN 支持）窗口中，如果有 VLAN 需要配置，则选择 **Add VLAN**（添加 VLAN），否则选择 **Skip manage VLAN**（跳过管理 VLAN）。
 - l 在最后一个窗口中，单击 **Preview**（预览）验证 NIC 组队和适配器。验证后，请选择 **Commit changes to system**（向系统提交更改），然后退出向导。
 - m 单击 **Finish**（完成）。
 - n 在提示信息窗口中，单击 **Yes**（是）继续。
 - o 在 **Broadcom Advanced Control Suite 3**（Broadcom 高级控制套件 3）窗口中，单击 **File**（文件）→**Exit**（退出）。
- 5 在其余的节点上重复执行步骤 1 至步骤 4。
-  **注：** 建议将专用网络的两个绑定的 NIC 端口位于独立的 PCI 总线上。例如，一个绑定对可由一个机载 NIC (LOM) 和一个添加式 NIC 卡组成。

为公用网络适配器和专用网络适配器配置 IP 地址

- 1 更新适配器的网络接口名称（如果需要）。否则，请转至步骤 2。
 - a 在节点 1 上，单击 **Start**（开始）→**Administrative Tools**（管理工具）→**Server Manager**（服务器管理器）→**View Network Connections**（查看网络连接）。
 - b 在 **Network Connections**（网络连接）窗口中，右键单击要重命名的公用网络适配器，然后选择 **Rename**（重命名）。

 **注：** 如果不对所有群集节点上的公用适配器和专用适配器使用相同的名称，Oracle 数据库安装程序将生成一个错误，并阻止您完成安装过程。当您在群集节点上配置网络适配器时，强烈建议您对公用适配器和专用适配器使用相同的名称。
 - c 将公用适配器名称重命名为 **Public**，然后按 <Enter> 键。
 - d 右键单击要重命名的专用 NIC 组队，然后选择 **Rename**（重命名）。
 - e 将专用 NIC 组队重命名为 **Private**，然后按 <Enter> 键。

2 配置 IP 地址。

- a 单击 **Start** (开始) → **Administrative Tools** (管理工具) → **Server Manager** (服务器管理器) → **View Network Connections** (查看网络连接) → **Public** (公用) → **Properties** (属性)。
- b 双击 **Internet Protocol (TCP/IP)** (网际协议 [TCP/IP])。
- c 单击 **Use the following IP address** (使用以下 IP 地址)，输入所需的 IP 地址、默认网关地址和 DNS 服务器 IP 地址，然后单击 **OK** (确定)。
- d 单击 **OK** (确定)。
- e 在 **Properties** (属性) 窗口中，单击 **Close** (关闭)。
- f 在专用 NIC 组队上重复执行步骤 a 至步骤 e。



注：专用 NIC 组队不需要输入默认网关地址和 DNS 服务器。

3 确保公用和专用网络适配器以适当的顺序显示，以便通过网络服务进行访问。

- a 在 **Windows Server** 上，单击 **Start** (开始) → **Search programs and files** (搜索程序和文件) 搜索框，键入 **View network connections**。在搜索结果中单击 **View network connections** (查看网络连接)。
- b 在 **Network Connections** (网络连接) 窗口中，单击 **Organize** (组织) → **Layout** (布局) → **Menu Bar** (菜单栏)，然后单击 **Advanced** (高级) 并选择 **Advanced Settings** (高级设置)。
- c 选择 **Adapter and Bindings** (适配器和捆绑) 选项卡。
- d 确保网络适配器按以下顺序排列：
 - 公用
 - 专用
 - < 任何其它网络适配器 >



注：单击上下箭头键以更改适配器顺序。

- e 通过 IPv6 提高 IPv4 的优先级。
- f 单击 **OK** (确定)。
- g 关闭 **Network Connections** (网络连接) 窗口。

4 在其余的节点上重复执行步骤 1 至步骤 4。

5 确保群集节点可以与公用和专用网络进行通信。

a 在节点 1 上，打开命令提示符窗口。

b 在命令提示符下键入：

```
ping <public_host_name>
```

```
ping <private_host_name>
```

其中 *<public_host_name>* 和 *<private_host_name>* 是其余节点中公用和专用网络适配器的主机名。

如果节点的网络适配器没有响应 ping 命令，请检查网络配置，然后再次执行此步骤。



注：Windows Server 2008 R2 SP1 中默认打开 Windows 防火墙，这导致对静态 IP 执行 Ping 命令失败。禁用 Windows 防火墙以便对其它节点执行 Ping 命令。



注：虚拟网际协议 (VIP) 将在后面配置，因此此时无法使用 ping 命令。

c 在其余的节点上重复执行步骤 a 至步骤 b。

IP 地址和名称解析要求

对于使用 GNS 的群集

使用 Oracle 全局命名服务器 (GNS) 设置 Oracle 11g R2 远程访问控制，您需要：

- 每个节点中至少配置两个接口，一个用于专用 IP 地址，一个用于公用 IP 地址。
- 网络中运行的域命名服务器 (DNS)，用于 GNS 虚拟 IP 地址的地址解析。
- DNS 条目，用于建立 DNS 查找以将子域的 DNS 解析指向群集。
- 群集公用网络上运行的 DHCP 服务。
- DHCP 上有足够的地址为每个节点的虚拟 IP 提供一个 IP 地址，并且为 SCAN 使用的群集提供三个 IP 地址。

表 2-2 介绍了不同的接口、IP 地址设置和群集中的解析。

表 2-2. 使用 GNS 的群集中的 IP 地址设置

接口	类型	解析
公用	静态	%SystemRoot%\system32\drivers\etc\hosts
专用	静态	不需要
节点虚拟 IP	DHCP	GNS
GNS 虚拟 IP	静态	DNS
SCAN 虚拟 IP	DHCP	GNS

配置 DNS 服务器

配置使用 GNS 的 DNS 服务器：

- 1 配置 DNS 服务器中的 GNS VIP 地址 — 在 DNS 中，创建用于正向查找区域中的 GNS 虚拟 IP 地址的名称解析条目。
 - a 打开 **DNS 管理器**。
 - b 单击 **DNS server** (DNS 服务器) → **Forward Lookup Zones** (正向查找区域) → **DNS Domain** (DNS 域)。
 - c 右键单击 **DNS domain** (DNS 域) 并选择 **New Host (A or AAAA)** (新主机 [A 或 AAAA])。
 - d 在 **New Host** (新主机) 窗口中，输入 GNS 虚拟 IP 地址的名称和 IP 地址。
 - e 单击 **Add Host** (添加主机)。
 - f 单击 **OK** (确定)。
 - g 在 **New Host** (新主机) 窗口中单击 **Done** (完成)。

例如：`gns-server Host A 192.0.2.2`

其中，`gns-server` 是网络安装期间指定的 GNS 虚拟 IP 地址。您提供的地址必须可路由并且应处于公用范围内。例如，192.0.2.2。

- 2 配置 GNS 子域代理 — 在 DNS 服务器中，建立 DNS 查找，将 GNS 子域的 DNS 解析指向群集。打开 DNS 管理器并执行以下操作：
 - a 单击 **DNS server (DNS 服务器)** → **Conditional Forwarders (条件转发器)**。
 - b 右键单击 **Conditional Forwarders (条件转发器)** 并选择 **New Conditional Forwarder (新条件转发器)**。
 - c 在 **New Conditional Forwarders (新条件转发器)** 窗口中，输入 GNS 子域和 GNS VIP 地址（在网格安装过程中必须提供）。
示例：clusterdomain.subdomain.com（GNS 子域）
192.0.2.2（步骤 1 中配置的 GNS VIP）
 - d 单击 **OK (确定)**。
 - e 重新启动 DNS 服务。

配置主机名解析

在 %SystemRoot%\system32\drivers\etc\hosts 文件域名称中添加主机条目。在每个节点上，通过键入以下命令修改

%SystemRoot%\system32\drivers\etc\hosts 文件中的行：

```
127.0.0.1 localhost  
  
<public IP node1> <public hostname node1>  
  
<public IP node2> <public hostname node2>
```

对于使用 DNS 的群集

使用 Oracle DNS（不带 GNS）设置 Oracle 11g R2 RAC：

- 1 每个节点中至少配置两个接口，一个用于专用 IP 地址，一个用于公用 IP 地址。
- 2 配置一个 SCAN NAME 用于三个地址（建议）或至少一个地址的 DNS 循环解析。SCAN 地址必须与虚拟 IP 地址和公用 IP 地址位于同一子网。



注：为了获得高可用性和可扩展性，建议您将 SCAN 配置为使用三个 IP 地址的循环解析。SCAN 的名称不能以数字开头。要使安装成功，SCAN 必须解析至少一个地址。

表 2-3 介绍了不同的接口、IP 地址设置和群集中的解析。

表 2-3. 使用 DNS 的群集中的 IP 地址设置

接口	类型	解析
公用	静态	%SystemRoot%\system32\drivers\etc\hosts 或 DNS
专用	静态	不需要
节点虚拟 IP	静态	%SystemRoot%\system32\drivers\etc\hosts 或 DNS
SCAN 虚拟 IP	静态	DNS

配置 DNS 服务器

为使用 DNS（不带 GNS）的 Oracle 11g R2 群集配置 DNS 服务器中的更改：

- 1 配置 DNS 服务器中的 SCAN NAME 解析。
- 2 在 DNS 中，创建用于正向查找文件中的 GNS 虚拟 IP 地址的名称解析条目。
- 3 打开 DNS 管理器。
- 4 单击 DNS server（DNS 服务器）→ Forward Lookup Zones（正向查找区域）→ DNS Domain（DNS 域）。
- 5 右键单击 DNS domain（DNS 域）并选择 New Host (A or AAAA)（新主机 [A 或 AAAA]）。
- 6 在 New Host（新主机）窗口中，输入 GNS 虚拟 IP 地址的名称和 IP 地址。
- 7 单击 Add Host（添加主机）。
- 8 单击 OK（确定）。
- 9 添加三个具有相同 SCAN 名称的虚拟 IP/ 主机。
- 10 在 New Host（新主机）窗口中单击 Done（完成）。

例如：

```
scancluster Host A 192.0.2.1  
scancluster Host A 192.0.2.2  
scancluster Host A 192.0.2.3
```

其中 *scancluster* 是网格安装期间提供的 SCAN NAME。



注：SCAN IP 地址必须可路由并且处于公用范围内。

配置主机名解析

在群集节点上配置进行名称解析所需的更改：

- 1 在 `%SystemRoot%\system32\drivers\etc\hosts` 文件中添加主机条目。
- 2 在每个节点上，通过键入以下命令修改 `%SystemRoot%\system32\drivers\etc\hosts` 文件中的行：
127.0.0.1 localhost
<public IP node1> <public hostname node1>
<public IP node2> <public hostname node2>
<virtual IP node1> <virtual hostname node1>
<virtual IP node2> <virtual hostname node2>

启用 IPMI

智能平台管理接口 (IPMI) 提供一组硬件和固件常用接口，系统管理员可以用来监测系统运行状况并管理系统。通过 Oracle I1g R2，Oracle 群集件可以集成 IPMI 以提供故障隔离支持和确保群集完整性。

启用 IPMI 的前提条件

每个群集节点需要一个底板管理控制器 (BMC)，该控制器运行与 IPMI 版本 1.5 或更高版本兼容的固件并且配置为使用 LAN 进行远程控制。使用 Dell OpenManage 公用程序介质安装 BMC DRAC 公用程序。



注：建议您对 IPMI 使用专用的管理网络（DRAC 端口）。

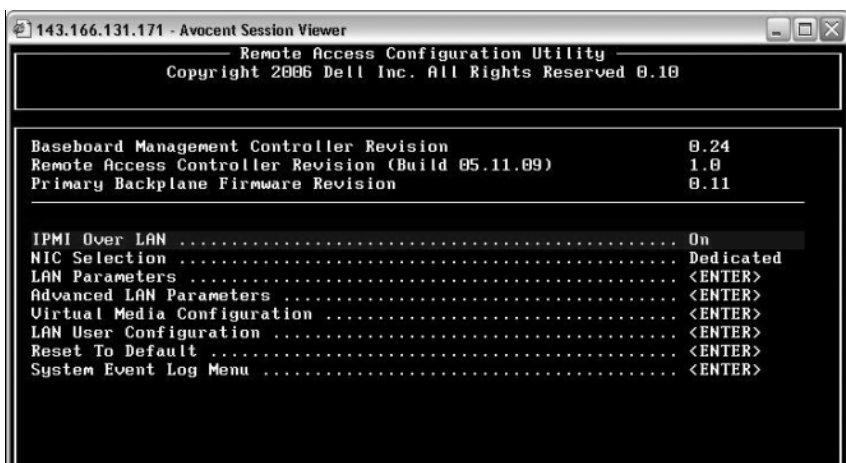
配置 Managed System

使用 **BMC 管理公用程序** 前，配置一些项目，比如必要的系统 BIOS、网络、IPMI 密钥和串行连接设置，具体取决于要执行的功能，以启用对 BMC 的访问。

要利用 **BMC 管理公用程序**，管理站与目标 BMC 端口之间的连接必须正常。本节介绍使用 **BMC 管理公用程序** 访问和管理 BMC 所必须执行的一些基本步骤。

底板管理控制器配置

在系统启动时，您可以使用远程访问配置公用程序执行基本的 BMC 配置。



进入远程访问配置公用程序

- 1 打开或重新启动系统。
- 2 系统完成 POST 后提示您时，请按 <Ctrl><E> 组合键。

如果按 <Ctrl><E> 组合键之前已开始载入操作系统，请让系统完成引导过程，然后重新启动系统并再试一次。

远程访问配置公用程序选项

表 2-4 列出了远程访问配置公用程序选项，并显示如何在 Managed System 上配置 BMC。输入所有设置后，按 <Esc> 并选择以下选项之一：

- Save Changes and Exit（保存更改并退出）- 保留在远程访问配置公用程序中所做的所有输入。
- Discard Changes and Exit（放弃更改并退出）- 取消在远程访问配置公用程序中所做的所有输入。
- Return to Setup（返回设置）- 继续使用远程访问配置公用程序。

表 2-4. 远程访问配置公用程序

选项	说明
IPMI Over LAN (LAN 上 IPMI)	启用。
NIC Selection (NIC 选择)	专用。 让远程访问设备利用 Remote Access Controller 上的专用网络接口。此接口不与主机操作系统共享并且会将系统管理通信路由到单独的物理网络，从而能够与应用程序通信分开。 注： 此选项仅在安装了 DRAC 的系统上可用。
LAN Parameters (LAN 参数)	
IP Address Source (IP 地址源)	给网络控制器分配静态 IP 地址或 DHCP 地址。
Ethernet IP Address (以太网 IP 地址)	BMC 的静态 IP 地址。该字段的最大值为 255.255.255.255。 以下 IPv4 规格适用： <ul style="list-style-type: none"> IP 地址不能是 127.xxx.xxx.xxx，其中 xxx 是 0 - 255 的值。 第一个八位位组必须在 1 至 223 之间（即 143.xxx.xxx.xxx）。 注： 当 BMC 无法与 DHCP 服务器联系时，将返回 IP 地址 169.254.0.2 子网掩码 255.255.0.0。
Subnet Mask (子网掩码)	静态 IP 地址的子网掩码。 注： 当 BMC 无法与 DHCP 服务器联系时，将返回 IP 地址 169.254.0.2 子网掩码 255.255.0.0。
Default Gateway (默认网关)	静态 IP 地址的 IP 网关。
LAN User Configuration (LAN 用户配置)	使用户能够设置用户名、用户密码、用户权限并为用户 ID=2 启用用户访问。
Account Access (帐户访问)	已启用。
Account Privilege (帐户权限)	将帐户设置为： Admin 。
Account User Name (帐户用户名)	分配帐户用户名。

表 2-4. 远程访问配置公用程序 (续)

选项	说明
Enter Password (输入密码)	输入此帐户用户的密码。您必须至少输入一个非空字符。
Confirm Password (确认密码)	确认所输入的密码。



注：如果在 Ether 信道组或链接集合组中使用第一个集成网络接口控制器 (NIC 1)，则 BMC 管理通信在 PowerEdge *x8xx* 系统上将无法正常进行。NIC 组队选项只在 PowerEdge *x9xx* 和 *xx0x* 系统上受支持。有关网络组队的详情，请参阅网络接口控制器的说明文件。

- 从群集中的远程节点使用 `bmc info` 命令验证 BMC 是否可访问并可控制。

例如，如果 `node2-ipmi` 是分配给 BMC 用于 `node2` 的网络主机名，然后要从 `node1` 验证 `node2` 上的 BMC，请在 `node1` 中输入以下命令：

```
$ ipmitool -H node2-ipmi -U bmcuser -P password  
bmc info
```

使用 `root` 作为管理员帐户，使用 `calvin` 作为密码。

如果 BMC 已正确配置，将在远程节点中显示关于 BMC 的信息。如果出现错误信息（例如，**Error: Unable to establish LAN session** [错误：无法建立 LAN 会话]），则必须检查远程节点中的 BMC 配置。

设置用于 Dell PowerVault 存储设备盘柜的 SAS 群集

 **警告：** 开始执行本节中的任何步骤之前，请阅读系统附带的安全信息。有关其它最佳实践信息，请访问 dell.com/regulatory_compliance。

要配置 Dell PowerEdge 系统以及 Dell PowerVault MD32xx 和 MD12xx 存储设备盘柜，使其能在 Oracle Real Application Cluster (RAC) 环境中正常运行：

- 1 使用图 3-1、图 3-2 和表 3-1 验证硬件和软件配置。
- 2 执行第 81 页上的“设置硬件”中的步骤。


 **警告：** 在 PowerVault MD32xx 存储阵列上升级固件之前，请确保备份您的数据。

图 3-1. 串行连接的 SCSI (SAS) 群集和 Dell PowerVault MD32xx 存储设备盘柜布线

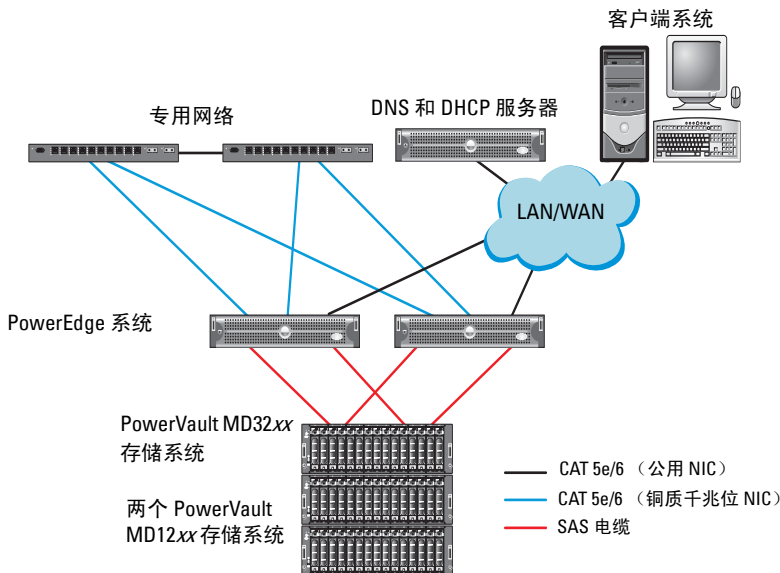


表 3-1. SAS 群集硬件互连

群集组件	连接
PowerEdge 系统节点	<ul style="list-style-type: none"> • 使用一根 CAT 5e/6 电缆从公用 NIC 连接至局域网 (LAN) • 使用一根 CAT 5e/6 电缆从专用千兆位 NIC 连接至千兆位以太网交换机 (专用网络) • 使用一根 CAT 5e/6 电缆从冗余专用千兆位 NIC 连接至冗余千兆位以太网交换机 (专用网络) • 通过 6 Gbps SAS HBA 从两个 SAS 连接至 PowerVault MD32xx 系统节点
PowerVault MD32xx 存储设备盘柜	<ul style="list-style-type: none"> • 使用两根 CAT 5e/6 电缆连接至 LAN (每个存储处理器模块一根) • 通过 SAS 6/E 电缆从两个 SAS 连接至每个 PowerEdge 系统节点 <p>注：有关 PowerVault MD32xx 存储设备盘柜互连的详情，请参阅第 81 页上的“设置硬件”。</p>

表 3-1. SAS 群集硬件互连 (续)

群集组件	连接
PowerVault MD12xx 存储设备盘柜 (可选)	其它 SAS 电缆连接 (根据 PowerVault MD12xx 扩展盘柜的需要)

设置硬件

SAS 群集只能安装在直接连接的群集中并且仅限于两个节点。

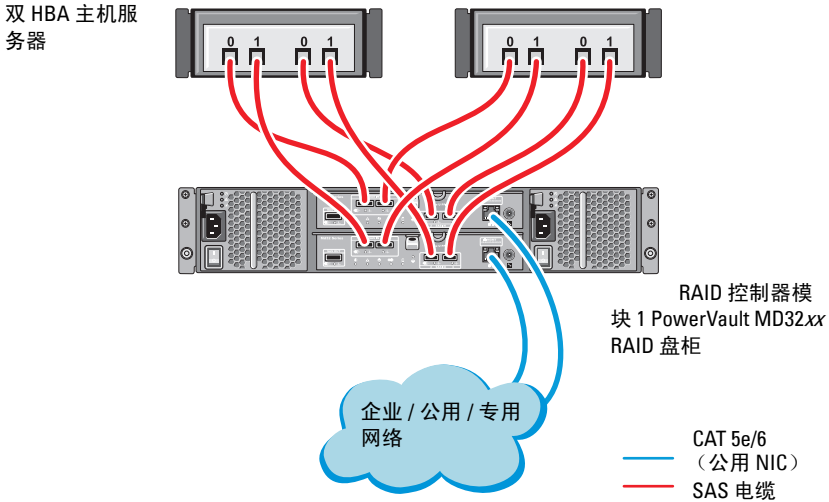
在直接连接的配置中配置节点:

- 1 使用一根 SAS 电缆从节点 1 的 SAS 控制器的一个端口连接至 PowerVault MD32xx 存储设备盘柜中 RAID 控制器 0 的 **In-0** 端口。
- 2 使用一根 SAS 电缆从节点 1 的 SAS 控制器的另一个端口连接至 PowerVault MD32xx 存储设备盘柜中 RAID 控制器 1 的 **In-0** 端口。
- 3 使用一根 SAS 电缆从节点 2 的 SAS 控制器的一个端口连接至 PowerVault MD32xx 存储设备盘柜中 RAID 控制器 0 的 **In-1** 端口。
- 4 使用一根 SAS 电缆从节点 2 的 SAS 控制器的另一个端口连接至 PowerVault MD32xx 存储设备盘柜中 RAID 控制器 1 的 **In-1** 端口。
- 5 如果可用, 使用两根 SAS 电缆从两个 PowerVault MD32xx 存储设备盘柜 **Out** (输出) 端口连接至第一个 PowerVault MD12xx 扩展盘柜的两个 **In** (输入) 端口。
- 6 如果可用, 使用两根 SAS 电缆从两个 PowerVault MD12xx 存储设备盘柜输出端口连接至第二个 PowerVault MD12xx 扩展盘柜的 **In-0** 端口。



注: 有关配置 PowerVault MD12xx 扩展盘柜的信息, 请参阅 support.dell.com/manuals 上提供的 PowerVault MD12xx 存储系统说明文件。

图 3-2. 直接连接的 SAS 群集布线



安装基于主机的存储软件

要安装 PowerVault MD32xx 存储设备盘柜所需的基于主机的存储软件，请使用随系统附带的 Dell PowerVault Resource 介质。要在主节点上安装 Modular Disk Storage Manager (MDSM) 软件并在其余节点上安装多路径输入 / 输出 (MPIO) 软件，请按照 PowerVault MD32xx 存储设备盘柜说明文件中的步骤进行操作。

验证并升级固件

验证并升级固件：

- 1 使用安装在主机系统中的 MDSM 软件搜索直接连接的主机系统存储设备。
- 2 验证以下存储设备组件的固件是否满足最低所需版本：
 - RAID 控制器固件
 - PowerVault MD32xx 存储系统固件
 - PowerVault MD12xx 扩展盘柜固件



注：有关最低固件版本要求，请选择 dell.com/oracle 上的 **Dell Validated Components**（经过验证的 Dell 组件）链接。

安装 SAS HBA 适配器驱动程序

从 *PowerVault MD32xx Resource* 介质安装 SAS HBA 驱动程序。



注：确保 SAS HBA 驱动程序的版本与 Solution Deliverable List（可提供的解决方案列表，SDL）中列出的版本相同或者比列出版本更新，各个经 Dell 认证的组件的 SDL 都可在 dell.com/oracle 上找到。

有关在群集的两个节点上安装驱动程序的帮助，请参阅随 PowerVault MD32xx 存储设备盘柜和 SAS HBA 附带的说明文件。

安装基于主机的存储软件

软件安装

PowerVault MD32xx 系列资源介质包含软件和驱动程序。

介质根目录包含一个 readme.txt 文件，该文件包含适用于 Windows 操作系统的软件更改、更新、修补、增补软件以及其它重要数据。该 readme.txt 文件还指定了访问说明文件的要求、有关介质上的软件版本的信息以及运行该软件的系统要求。

有关 Dell PowerVault 系统支持的软硬件的详情，请参阅 support.dell.com/manuals 上的 Support Matrix（支持值表）。





注：建议您安装 support.dell.com 上提供的所有最新更新。

安装 MD 存储软件

PowerVault MD32xx 系列存储软件安装程序提供多种功能，包括核心软件和提供程序。核心软件功能包括用于配置、管理和监测存储阵列解决方案的基于主机的存储代理、多路径驱动程序以及 MD Storage Manager 应用程序。

提供程序功能包括用于 Microsoft 虚拟磁盘服务 (VDS) 和 Microsoft 卷影复制服务 (VSS) 框架的提供程序。

 **注：**有关 Microsoft VDS 和 Microsoft VSS 提供程序的详情，请参阅《用户手册》。

 **注：**要在 Windows 系统上安装软件，必须具有管理权限。

PowerVault MD32xx 系列资源介质提供以下三种安装方法：

- 基于 GUI 的安装（推荐）— 安装程序显示图形向导驱动型界面，允许安装自定义组件。
- 无提示安装 — 此安装方法对于喜欢创建脚本安装的用户非常有用。

图形化安装（推荐）

完成图形化安装：

- 1 安装任何新软件之前，请关闭所有其它程序。
- 2 插入资源介质。
- 3 选择 **Install MD32xx Storage Software**（安装 MD32xx 存储软件）。
 **注：**如果主机服务器运行 Windows Server Core 版本，或者启动程序没有自动运行，则可浏览至介质的根目录并运行 **md_launcher.exe**（对于 Windows）。
- 4 安装 MD 存储软件。选择以下安装选项之一：
 - Full（完整）— 此软件包将安装核心软件、提供程序和公用程序。其中包括必需的基于主机的存储代理、多路径驱动程序、MD Storage Manager、提供程序和可选公用程序。
 - Host Only（仅主机）— 此软件包中包括 Host Context Agent、多路径驱动程序和配置主机所需的可选公用程序。
 - Management Station（管理站）— 此软件包中包括 MD Storage Manager、提供程序以及可选的公用程序。
 - Custom（自定义）— 此选项允许您选择特定的组件。
- 5 重新引导每个主机服务器。

无提示安装

此选项允许您在无提示模式下安装软件。要在 Windows 系统中运行无提示安装，请按照下面列出的步骤进行操作：

- 1 要使用所有默认选项开始安装，可浏览至资源介质上的 windows 文件夹并运行以下命令：

```
md32xx_install -i silent
```

- 2 要指定要无提示安装的功能，必须修改位于相同目录中的 **custom_silent.properties** 文件，并将其复制到主机服务器上的可写位置。此文件包含支持功能及其说明的列表。要利用修改后的 **custom_silent.properties** 文件，可运行以下命令：

```
md32xx_install -f
```

```
C:\path\to\custom_silent.properties
```

安装后任务

初次使用 PowerVault MD32xx 存储阵列之前，必须以所示的顺序完成若干初始配置任务。这些任务将通过 MD Storage Manager (MDSM) 软件执行。

完成安装后任务：


- 1 对于带外管理，为每个 RAID 控制器模块设置网络配置，包括其网际协议 (IP) 地址、子网掩码和网关。


 **注：**可使用 DHCP 服务器设置网络配置。

- 2 启动 MDSM。

- 在 Microsoft Windows 操作系统中，单击 **Start**（开始）→ **Programs**（程序）→ **Dell** → **MD Storage Manager** → **Modular Disk Storage Manager Client**（Modular Disk Storage Manager 客户端）。

- 3 在 **Enterprise Management Window (EMW)** 中，转到 **Setup**（设置）→ **Add Storage Array**（添加存储阵列），然后启动系统的 **Automatic Discovery**（自动搜索）。

 **注：**仅检测使用与管理站相同子网中的 IP 地址所配置的存储阵列。

 **注：**搜索过程可能需要几分钟时间才能完成。在此之前关闭 **Automatic Discovery Status**（自动搜索状态）窗口会停止搜索过程。

搜索完成后，将会显示确认屏幕。

- 4 单击 **Close**（关闭）以关闭该屏幕。

验证存储阵列搜索

Automatic Discovery（自动搜索）选项会自动搜索带内和带外的阵列，并将存储阵列添加至管理域。如果 Summary（摘要）页面中显示的带外或带内连接不准确，请完成以下步骤：

验证存储阵列搜索：

- 1 检查可能的硬件和连接问题。有关排除接口故障的特定步骤，请参阅相关存储阵列的《用户手册》。
- 2 验证该阵列是否位于本地子网中。如果不在，则单击 **New**（新建）链接以手动添加。
- 3 验证各存储阵列的状态是否为 **Optimal**（最佳）。如果任何阵列显示 **Unresponsive**（非响应）状态，则完成以下步骤之一：
 - a 要从管理域中移除阵列，可高亮度显示该阵列并单击 **Remove**（移除）链接。
 - b 要添加阵列，单击 **New**（新建）链接并单击 **OK**（确定）。
- 4 如果阵列仍显示 **Unresponsive**（未响应）状态，请与 Dell 联络。

初始设置任务

完成初始设置任务：

- 1 此时将在 EMW 中的 **Devices**（设备）选项卡中显示找到的第一个存储阵列的名称。要查看在本地网络中找到的所有存储阵列的列表，请在 EMW 的 **Device**（设备）窗格中展开 **Discovered Storage Arrays**（已搜索到的存储阵列）选项卡。
- 2 新安装的 MD32xx 存储阵列的默认名称为 **Unnamed**（未命名）。如果 MDSM 中显示的是其它名称，则应单击该名称旁边的向下箭头，然后单击下拉列表中的 **Unnamed**（未命名）。
- 3 双击已搜索到的阵列以启动阵列管理窗口，然后更改阵列的配置。
- 4 单击 **Perform Initial Setup Tasks**（执行初始设置任务）以查看简介和其余安装后任务的链接。此时便已准备好配置阵列。



注：配置存储阵列之前，请检查 **Device**（设备）窗格上的状态图标以确保存储阵列中的盘柜处于 **Optimal**（最佳）状态。有关详情，请参阅 support.dell.com/manuals 上相关存储阵列的《用户手册》。

启用高级功能（可选）

如果您订购了高级功能，请遵循高级功能卡上的说明安装附加功能。

设置用于 Dell PowerVault 存储设备盘柜的 iSCSI 群集

警告： 开始执行本节中的任何步骤之前，请阅读系统附带的安全信息。有关其它最佳实践信息，请访问 dell.com/regulatory_compliance。

本节提供有关如何配置 Dell PowerEdge 系统以及 PowerVault MD32xxi 和 MD12xx 存储设备盘柜，使其能在 Oracle Real Application Cluster (RAC) 环境中正常运行的信息和步骤。

使用 *Dell PowerVault MD32xxi 支持值表*（可从 support.dell.com/manuals 获取）中的“支持的配置”部分，验证硬件连接以及硬件和软件配置。

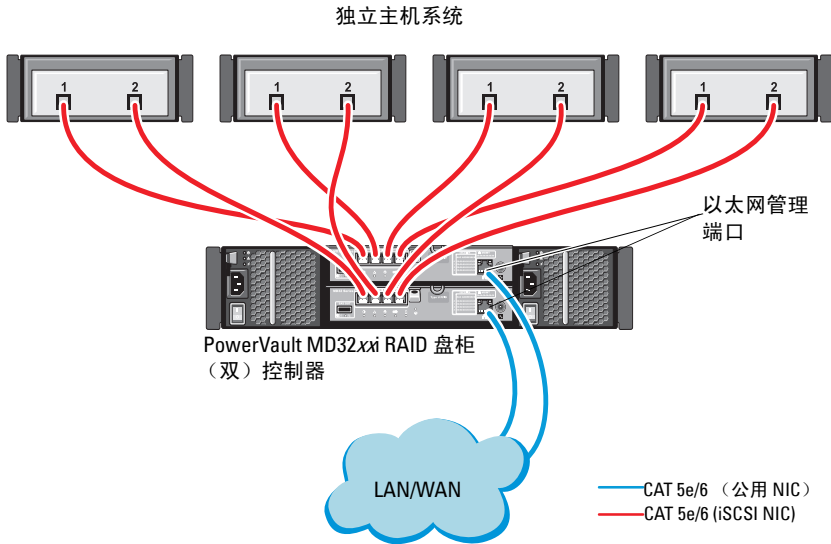
表 4-1. iSCSI 硬件互连

群集组件	连接
PowerEdge 系统节点	<ul style="list-style-type: none"> 使用一根 CAT 5e/6 电缆从公用 NIC 连接至局域网 (LAN) 使用一根 CAT 5e/6 电缆从专用千兆位 NIC 连接至千兆位以太网交换机（专用网络） 使用一根 CAT 5e/6 电缆从冗余专用千兆位 NIC 连接至冗余千兆位以太网交换机（专用网络） 使用一根 CAT 5e/6 电缆从 iSCSI 千兆位 NIC 连接至千兆位以太网交换机（iSCSI 网络）
PowerVault MD30xxi 存储系统	<ul style="list-style-type: none"> 对于管理接口，使用两根 CAT 5e/6 电缆连接至 LAN（每个存储处理器模块一根） 每个存储处理器使用两根 CAT 5e/6 电缆进行 iSCSI 互连 <p>注： 有关 PowerVault MD32xxi 存储设备盘柜的其它信息，请参阅 support.dell.com/manuals 上的 PowerVault MD32xxi 说明文件。</p>
PowerVault MD12xx 存储设备扩展盘柜（可选）	其它 SAS 电缆连接（根据 PowerVault MD12xx 扩展盘柜的需要）

设置硬件

直接连接的 iSCSI 群集仅限于四个节点。

图 4-1. iSCSI 直接连接群集布线



要在直接连接的配置中配置节点，请参阅图 4-1。

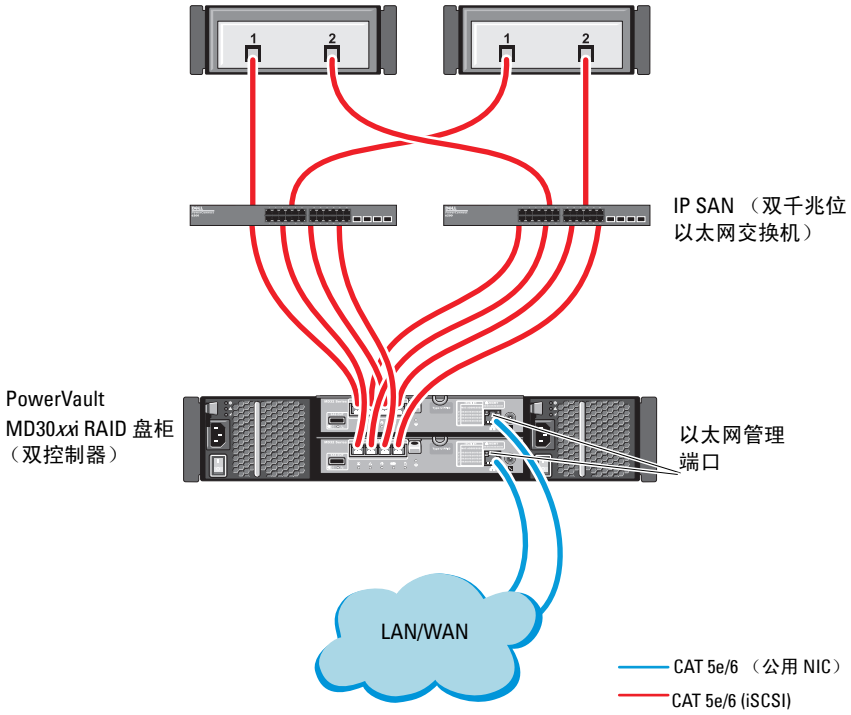
- 1 使用一根 CAT 5e/6 电缆从节点 1 的一个端口（iSCSI HBA 或 NIC）连接至 PowerVault MD32xxi 存储设备盘柜中 RAID 控制器 0 的 **In-0** 端口。
- 2 使用一根 CAT 5e/6 电缆从节点 1 的另一个端口（iSCSI HBA 或 NIC）连接至 PowerVault MD32xxi 存储设备盘柜中 RAID 控制器 1 的 **In-0** 端口。
- 3 使用一根 CAT 5e/6 电缆从节点 2 的一个端口（iSCSI HBA 或 NIC）连接至 PowerVault MD32xxi 存储设备盘柜中 RAID 控制器 0 的 **In-1** 端口。
- 4 使用一根 CAT 5e/6 电缆从节点 2 的另一个端口（iSCSI HBA 或 NIC）连接至 PowerVault MD32xxi 存储设备盘柜中 RAID 控制器 1 的 **In-1** 端口。
- 5 对连接至 RAID 控制器 0 和 RAID 控制器 1 的 In-2 和 In-3 的节点 3 和节点 4 重复步骤 1 至步骤 4。
- 6 如果可用，使用两根 SAS 电缆从两个 PowerVault MD32xxi 存储设备盘柜 **Out**（输出）端口连接至第一个 PowerVault MD12xx 扩展盘柜的两个 **In**（输入）端口。
- 7 如果可用，使用两根 SAS 电缆从两个 PowerVault MD12xx 存储设备盘柜 **Out**（输出）端口连接至第二个 MD12xx 扩展盘柜的 **In**（输入）端口。



注：有关配置 PowerVault MD12xx 扩展盘柜的信息，请参阅 support.dell.com/manuals 上的 PowerVault MD32xxi 存储系统说明文件。

交换式 iSCSI 群集可以支持最多 32 个节点。

图 4-2. iSCSI 交换式群集布线



要在交换式配置中配置节点，请参阅图 4-2。

- 1 使用一根 CAT 5e/6 电缆从节点 1 的一个端口（iSCSI HBA 或 NIC）连接至网络交换机 1 的端口。
- 2 使用一根 CAT 5e/6 电缆从节点 1 的一个端口（iSCSI HBA 或 NIC）连接至网络交换机 2 的端口。
- 3 使用一根 CAT 5e/6 电缆从节点 2 的一个端口（iSCSI HBA 或 NIC）连接至网络交换机 1 的端口。
- 4 使用一根 CAT 5e/6 电缆从节点 2 的一个端口（iSCSI HBA 或 NIC）连接至网络交换机 2 的端口。
- 5 使用两根 CAT 5e/6 电缆从交换机 1 连接至 PowerVault MD32xxi 存储设备盘柜中 RAID 控制器 0 的 In-0 端口。
- 6 使用两根 CAT 5e/6 电缆从交换机 1 的另两个端口连接至 PowerVault MD32xxi 存储设备盘柜中的 RAID 控制器 1。
- 7 使用两根 CAT 5e/6 电缆从交换机 2 的一个端口连接至 PowerVault MD32xxi 存储设备盘柜中的 RAID 控制器 0。
- 8 使用两根 CAT 5e/6 电缆从交换机 2 的另两个端口连接至 PowerVault MD32xxi 存储设备盘柜中的 RAID 控制器 1。
- 9 如果可用，使用两根 SAS 电缆从两个 PowerVault MD32xxi 存储设备盘柜 Out（输出）端口连接至第一个 PowerVault MD12xx 扩展盘柜的两个 In（输入）端口。
- 10 如果可用，使用两根 SAS 电缆从两个 PowerVault MD32xx 存储设备盘柜 Out（输出）端口连接至第二个 PowerVault MD12xx 扩展盘柜的 In（输入）端口。



注：有关配置 PowerVault MD12xx 扩展盘柜的信息，请参阅 support.dell.com/manuals 上的 PowerVault MD32xxi 存储系统说明文件。建议对 iSCSI 存储基础设施使用独立的网络。如果无法为 iSCSI 指定独立的网络，请将存储功能分配到独立的虚拟局域网 (VLAN)；此操作会在物理网络内创建独立的逻辑网络。

安装存储设备所需的基于主机的软件

要安装用于 PowerVault MD32xxi 存储系统的基于主机的必需存储软件，请使用随 PowerVault MD32xxi 存储系统附带的 *Dell PowerVault Resource* 介质。按照 support.dell.com/manuals 上提供的 PowerVault MD32xxi 存储设备盘柜说明文件中的步骤进行操作，在主节点上安装 Modular Disk Storage Manager (MDSM) 软件并在其余节点上安装多路径 IO (MPIO) 软件。

验证并升级固件

验证并升级固件：

- 1 使用安装在主机系统中的 MDSM 软件搜索直接连接的主机系统存储设备。
- 2 验证以下存储设备组件的固件是否满足最低所需版本。
 - MD32xxi 存储系统固件
 - MD12xx 扩展盘柜固件



注：有关最低固件版本要求，请选择 dell.com/oracle 上的 **Dell Validated Components**（经过验证的 Dell 组件）链接。

设置用于 Dell PowerVault MD32xxi 和 MD12xx 存储设备盘柜的 iSCSI 群集

设置硬件

有关设置或安装 PowerVault MD32xxi 和 PowerVault MD12xx 扩展盘柜的帮助，请参阅 support.dell.com/manuals 上的 PowerVault 说明文件。

安装基于主机的存储软件

PowerVault MD32xxi 系列存储软件安装程序提供多种功能，包括核心软件、提供程序和可选公用程序。核心软件功能包括基于主机的存储代理、多路径驱动程序以及用于配置、管理和监视存储阵列解决方案的 MD Storage Manager (MDSM) 应用程序。提供程序功能包括用于 Microsoft 虚拟磁盘服务 (VDS) 和 Microsoft 卷影复制服务 (VSS) 框架的提供程序。模块化磁盘配置公用程序 (MDCU) 为可选公用程序，它提供了配置管理端口、iSCSI 主机端口，以及为 iSCSI 模块化磁盘存储阵列创建会话的一致方法。建议安装并使用 MDCU 配置连接到存储阵列的每台主机上的 iSCSI。



注：有关 Microsoft VDS 和 Microsoft VSS 提供程序的详情，请参阅《用户手册》。要在 Windows 操作系统上安装软件，必须具有管理权限。




注：如果没有使用动态主机配置协议 (DHCP)，则管理站的初始配置必须在与存储阵列相同的物理子网上执行。此外，在初始配置过程中，必须在与存储阵列的默认管理端口相同的 IP 子网 (192.168.128.101 或 192.168.128.102) 上配置至少一个网络适配器。初始配置后，可以使用 MDSM 配置管理端口，并且管理站的 IP 地址可改回其原来的设置。

PowerVault MD32xxi 系列资源介质提供以下三种安装方法：

- 基于 GUI 的安装（推荐）— 安装程序显示图形向导驱动型界面，允许安装自定义组件。
- 无提示安装 — 此安装方法对于喜欢创建脚本安装的用户非常有用。

图形化安装（推荐）

完成图形化安装：

- 1 安装任何新软件之前，请关闭所有其它程序。
- 2 插入资源介质。
- 3 选择 Install MD32xxi Storage Software（安装 MD32xxi 存储软件）。
 **注：**如果主机服务器运行 Windows Server Core 版本，或者启动程序没有自动运行，则可浏览至介质的根目录并运行 `md_launcher.exe`。
- 4 安装 MD 存储软件。选择以下安装选项之一：
 - Full（完整）— 此软件包将安装核心软件、提供程序和公用程序。其中包括必需的基于主机的存储代理、多路径驱动程序、MD Storage Manager、提供程序和可选公用程序。
 - Host Only（仅主机）— 此软件包中包括 Host Context Agent、多路径驱动程序和配置主机所需的可选公用程序。
 - Management Station（管理站）— 此软件包中包括 MD Storage Manager、提供程序以及可选的公用程序。
 - Custom（自定义）— 此选项允许您选择特定的组件。
- 5 重新引导每个主机服务器。

无提示安装

此选项允许您在无提示模式下安装软件。要在 Windows 系统中运行无提示安装，可执行以下步骤：

- 1 要使用所有默认选项开始安装，可浏览至资源介质上的 windows 文件夹并运行以下命令：`md32xxi_install -i silent`
- 2 要指定要无提示安装的功能，必须修改位于相同目录中的 `custom_silent.properties` 文件，并将其复制到主机服务器上的可写位置。此文件包含支持功能及其说明的列表。要利用修改后的 `custom_silent.properties` 文件，可运行以下命令：
`md32xxi_install -f <路径>/custom_silent.properties`

启用高级功能（可选）

如果您订购了高级功能，请遵循高级功能卡上的说明安装附加功能。

设置用于 Dell|EqualLogic PS 系列存储系统的 iSCSI 群集

 **警告：**开始执行本节中的任何步骤之前，请阅读系统附带的安全信息。有关其它最佳实践信息，请访问 dell.com/regulatory_compliance。

EqualLogic 术语

EqualLogic PS 系列存储阵列包括存储虚拟化技术。为了更好地了解这些阵列的原理，熟悉一些用于描述这些阵列及其功能的术语将非常有用：

- **成员** — 单个 PS 系列阵列
- **组** — 可以进行集中管理的、包含一个或多个成员的集合；主机系统通过单组 IP 地址访问数据
- **池** — 可由来自一个或多个成员的磁盘组成的 RAID
- **卷** — LUN 或虚拟磁盘，表示池容量的子集

设置 EqualLogic iSCSI 存储系统

主机系统可通过 IP SAN 行业标准 10 千兆位以太网交换机连接至 EqualLogic PS6010XV iSCSI 阵列。图 5-1 显示了双控制模块 EqualLogic PS6010XV 阵列的建议网络配置。此配置包括两台 Dell PowerConnect 10 千兆位以太网交换机，用于提供最高的网络可用性和最大的网络带宽。有关详情，请参阅 support.equallogic.com 上的 EqualLogic 说明文件。


 **注：**建议使用两台 10 千兆位以太网交换机。在只有一台以太网交换机的情况下，如果交换机出现故障，则在实际更换交换机并恢复配置前，所有主机都将无法访问存储设备。在这类配置中，必须有多个带链路聚合功能的端口，用于提供交换机间（或主干）连接。在每个控制模块中，建议将一个千兆位接口连接至一台以太网交换机，并将另外两个千兆位接口连接至另一台以太网交换机。

图 5-1. 推荐的网络配置

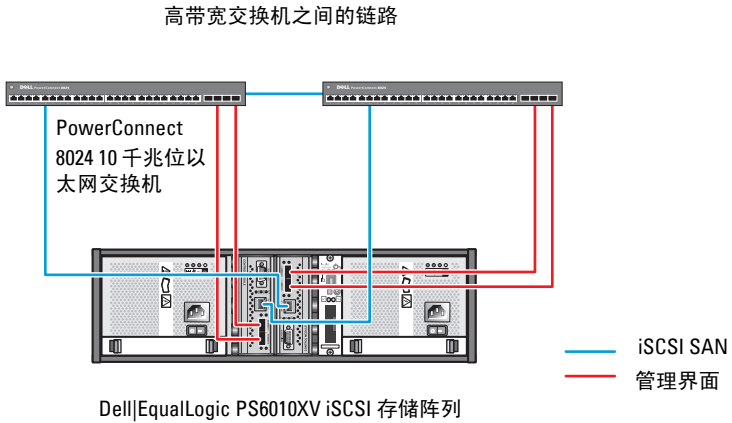
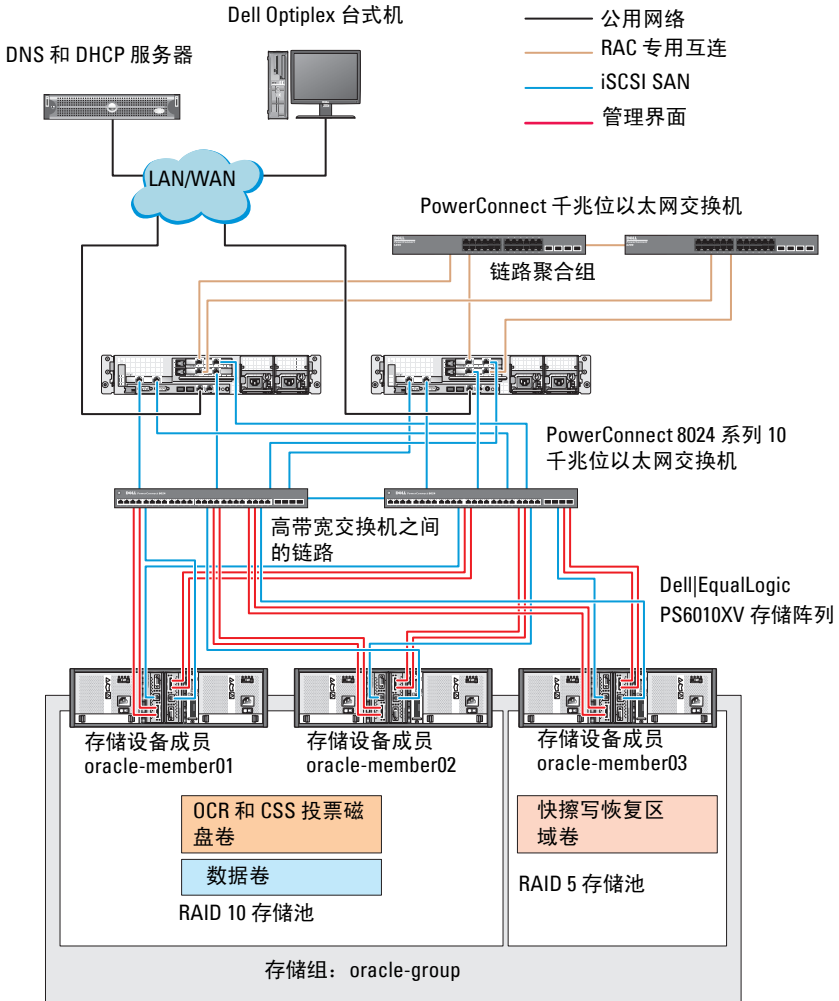



图 5-2 是带三个 Dell|EqualLogic PS6010XV 阵列的 Oracle Real Application Cluster (RAC) 配置示例的体系结构概览。Dell|EqualLogic PS6010XV 存储阵列作为 RAC 数据库提供了物理存储容量。**oracle-group** 组包括三个 Dell|EqualLogic PS6010XV 成员：**oracle-member01**、**oracle-member02** 和 **oracle-member03**。初始化其中某个成员后，可以为其配置 RAID 10、RAID 5 或 RAID 50。

图 5-2. 配置带有三个 PS6010XV 阵列的示例 Oracle RAC



 **注：**有关如何初始化 EqualLogic 阵列的详情，请参阅 support.dell.com/manuals 上的《Dell EqualLogic 用户指南》。

一个 EqualLogic PS 系列存储组可以分离到多个层或池中。分层存储可使管理员更好地控制磁盘资源的分配方式。每次只能将一个成员分配到一个池。将成员分配到池以及在不同池间移动成员很容易，而且不会影响数据的可用性。池可以根据不同标准（如磁盘类型或速度、RAID 级别和应用类型）加以组织。

在图 5-2 中，池按照成员 RAID 级别进行组织：

- 一个名称为 RAID 10 的池由 RAID 10 成员组成。
- 一个名称为 RAID 5 的池由 RAID 5 成员组成。

创建卷

存储数据之前，先将 EqualLogic PS6010XV 存储阵列中的物理磁盘配置为可用组件（称为卷）。卷表示存储池的一部分，具有特定大小、访问控制以及其它属性。卷可以跨越多个磁盘和组成员。卷在网络上显示为 iSCSI 目标设备。卷分配给池并可以在不同的池间轻松移动，而且不会影响数据的可用性。此外，池还将根据池中的存储设备硬件资源的总工作负载进行自动数据分布和自动负载平衡。

表 5-1 显示了一个卷配置示例。

表 5-1. 配置用于 Oracle RAC 的卷

卷数	最小容量	RAID	分区数	用途	操作系统映射
三个	1024 MB	10	一个	投票磁盘、Oracle 群集注册表 (OCR)	用于 OCR 和投票磁盘的 ASM 磁盘组
一个	大于您数据库的大小	10	一个	数据	ASM 磁盘组 DATABASEDG
一个	至少为第二区域卷容量的两倍	5	一个	快擦写恢复区域	ASM 磁盘组 FLASHBACKDG
一个 (可选)	10 GB	10	一个	共享的 DB 主目录	用于共享 DB 主目录的 ASM 磁盘组

在 Dell|EqualLogic PS6010XV 阵列中创建卷，然后创建访问列表，以允许所有主机 iSCSI 网络接口访问这些卷。例如，创建以下卷：

- mdi-ocr
- mdi-datal
- mdi-fral

配置 iSCSI 网络



注：建议将用于 iSCSI 通信的主机网络接口配置为使用流控制和超长帧，以实现最优性能。

要设置流控制和超长帧，请执行以下步骤：

- 1 单击 **Start**（开始）→ **Search programs and files**（搜索程序和文件），键入 **View network connections**。
- 2 在搜索结果中单击 **View network connections**（查看网络连接）。
- 3 选择 **iSCSI network interface**（iSCSI 网络接口），然后右键单击 **Properties**（属性）。
- 4 单击 **Configure**（配置）。
- 5 单击 **Advanced**（高级）。
- 6 选择 **Jumbo Packet**（巨型包），然后将其值设置为 9014 字节。
- 7 选择 **Performance Options**（性能选项），然后单击 **Properties**（属性）。
随即显示 **Performance Options**（性能选项）窗口。
- 8 选择 **Flow Control**（流控制），然后将其值设置为 **Rx & Tx Enabled**（已启用 Rx 和 Tx）。
- 9 对于用于 iSCSI 通信的所有其他网络接口，重复步骤 3 至步骤 8。

配置主机对卷的访问权限

安装并配置 Dell EqualLogic 主机集成工具 (HIT) 套件

- 1 将最新的 HIT 工具套件下载到您的数据库服务器上。
- 2 双击 `setup64.exe` 以启动安装窗口。
- 3 在 **Welcome to the Host Integration Tools 3.5.1 Installation Program** (欢迎使用主机集成工具 3.5.1 安装程序) 窗口中, 单击 **Next** (下一步)。
- 4 在 **License Agreements** (许可协议) 窗口中, 选择 **I accept the terms of all the license agreements** (我接受所有许可协议的条款), 然后单击 **Next** (下一步)。
- 5 在 **Installation Type** (安装类型) 窗口中, 选择 **Typical** (典型) 并单击 **Next** (下一步)。



注: 如果显示 **Microsoft iSCSI Initiator service not running** (Microsoft iSCSI 启动程序服务未运行) 窗口, 则单击 **No** (否)。

- 6 在 **Ready to install the components** (准备安装组件) 窗口中, 单击 **Install** (安装)。

随即显示 **Installation Status** (安装状态) 窗口和 **Software Update Installation Wizard** (软件更新安装向导) 窗口。



注: 如果出现 **Microsoft Multipath I/O feature not detected** (未检测到 Microsoft 多路径 I/O 功能) 窗口, 则单击 **Yes** (是) 自动安装 MS 多路径 I/O。





注: 如果显示 **Microsoft iSCSI Initiator service not running** (Microsoft iSCSI 启动程序服务未运行) 窗口, 则单击 **Yes** (是)。




注: 如果显示 **iSCSI Initiator Properties** (iSCSI 启动程序属性) 窗口, 则单击 **Cancel** (取消)。(有关 iSCSI 配置的详情, 请参阅第 101 页上的“配置 Microsoft iSCSI 启动程序”。)

- 7 在 **Installation Complete** (安装完成) 窗口中, 选择 **Launch Remote Setup Wizard** (启动远程设置向导), 然后单击 **Finish** (完成)。
- 8 在 **System Restart Required** (需要重新启动系统) 窗口中, 选择 **Yes, I want to restart my computer now** (是, 我要立即重新启动计算机), 然后单击 **OK** (确定)。
完成重新引导时, 将显示 **Remote Setup Wizard** (远程设置向导) 窗口。


- 9 选择 **Configure MPIO settings for this computer**（为此计算机配置 MPIO 设置），然后单击 **Next**（下一步）。
- 10 将 **iSCSI 网络子集** 移动到 **Subnets included for MPIO**（MPIO 包括的子集）下。
- 11 将所有其它网络子网移动到 **Subnets excluded from MPIO**（从 MPIO 排除的子网）下。
 **注：**如果未看到所有子集，则确保您的 Microsoft iSCSI 启动程序服务正在运行。启动 iSCSI 启动程序后，可能必须重新启动 **EqualLogic Remote Setup Wizard**（EqualLogic 远程设置向导）。
- 12 单击 **Finish**（完成）。
 **注：**建议您将 **Load Balancing**（负载均衡）的默认值设置为 **Least Queue Depth**（最少队列深度）。
- 13 在群集中的所有其它主机上重复执行步骤 1 至步骤 9。

配置 Microsoft iSCSI 启动程序

- 1 单击 **Start**（开始），并在搜索框中键入 **iSCSI Initiator**。从结果列表中单击 **iSCSI Initiator**（iSCSI 启动程序）。
- 2 在 **iSCSI Initiator Properties**（iSCSI 启动程序属性）窗口的 **Discovery**（搜索）选项卡中，**EqualLogic** 组地址的 IP 地址应始终由 **HIT** 工具套件填充。
- 3 如果 **Discovery**（搜索）选项卡中不存在组 IP 地址，则单击 **Discover Portal**（搜索门户）。
 - a 在 **IP Address or DNS name**（IP 地址或 DNS 名称）字段中键入 **EqualLogic** 组 IP 地址。
 - b 单击 **Advanced**（高级）。
 - c 在 **Advanced Settings**（高级设置）窗口中，通过 **Local adapter**（本地适配器）下拉式菜单选择 **Microsoft iSCSI Initiator**（Microsoft iSCSI 启动程序）。
 - d 通过 **Source IP**（源 IP）下拉式菜单选择 iSCSI 启动程序 IP 地址。
 - e 如果不使用 CHAP 进行卷验证，则跳至步骤 i，否则继续。
 - f 选择 **Enable CHAP log on**（启用 CHAP 登录）。
 - g 在 **User name**（用户名）框中，输入在 **EqualLogic** 存储中定义的 CHAP 用户名。

- h** 在 **Target secret**（目标机密）框中，输入在 EqualLogic 存储中定义的 CHAP 密码。
-  **注：** CHAP 密码必须至少包含 12 个字符。
- i** 单击 **OK**（确定）。
- 4** 在 **iSCSI Initiator Properties**（iSCSI 启动程序属性）窗口的 **Targets**（目标）选项卡中，单击为 Oracle 数据库创建的一个卷，然后单击 **Connect**（连接）。
- 5** 在 **Connect to Target**（连接至目标）窗口中，同时选择 **Add this connection to the list of Favorite Targets**（将此连接添加至首选目标列表）和 **Enable multi-path**（启用多路径），然后单击 **Advanced**（高级）。
- 6** 在 **Advanced Settings**（高级设置）窗口的 **General**（常规）选项卡上，执行以下配置：
- a** 通过 **Local adapter**（本地适配器）下拉式菜单选择 **Microsoft iSCSI Initiator**（Microsoft iSCSI 启动程序）。
 - b** 通过 **Source IP**（源 IP）下拉式菜单选择 **iSCSI initiator IP address**（iSCSI 启动程序 IP 地址）。
 - c** 通过 **Target Portal**（目标门户）下拉式菜单选择 **EqualLogic group IP address**（EqualLogic 组 IP 地址）。
 - d** 选择 **CHAP logon information**（CHAP 登录信息）。
 - e** 在 **User name**（用户名）框中，输入在 EqualLogic 存储中定义的 CHAP 用户名。
 - f** 在 **Target secret**（目标机密）框中，输入在 EqualLogic 存储中定义的 CHAP 密码。
 - g** 单击 **OK**（确定）。
- 7** 在 **Connect to Target**（连接至目标）窗口中，单击 **OK**（确定）。
- 8** 在 **iSCSI Initiator Properties**（iSCSI 启动程序属性）窗口的 **Targets**（目标）选项卡上，已登录卷的状态应为 **Connected**（已连接）。
- 9** 针对其它各 iSCSI 启动程序 IP 地址，均重复执行步骤 3 至步骤 8 以登录到相同卷。
- 10** 重复执行步骤 3 至步骤 9 登录到为数据库创建的所有其它卷。
- 11** 在群集中的所有其它主机上重复执行步骤 1 至步骤 9。


在主机上配置数据库存储设备

 **警告：** 开始执行本节中的任何步骤之前，请阅读系统附带的安全信息。有关其它最佳实践信息，请参阅 dell.com/regulatory_compliance。

Oracle Real Application Clusters (RAC) 要求按顺序执行以下一系列过程。以下各节介绍了如何在主机上验证、调整和配置直接连接的 SAS 或 iSCSI 存储设备的存储磁盘。


验证和识别存储磁盘

配置群集时，在直接连接的 SAS 或 iSCSI 存储系统上创建分区。要创建分区，所有节点均必须检测外部存储设备。

 **注：** 本节中的步骤说明如何在使用直接连接的 SAS 或 iSCSI 存储设备（Dell PowerVault MD32xx、MD32xxi 或 Dell|EqualLogic 存储阵列）的情况下，为直接连接的 SAS 存储设备部署 Oracle 数据库。

验证节点的存储分配

- 1 单击 **Start**（开始）→ **Administrative Tools**（管理工具）→ **Server Manager**（服务器管理器）。
- 2 在 **Server Manager**（服务器管理器）窗口中，单击 **Device Manager**（设备管理器）。
- 3 展开 **Storage**（存储），然后单击 **Disk Management**（磁盘管理）。
 - a 右键单击该卷，然后单击 **Online**（联机）。
 - b 右键单击该卷，选择 **Initialize**（初始化），然后在 **Initialize Disk**（初始化磁盘）窗口中单击 **OK**（确定）。
 - c 在全部卷上重复步骤 a 到步骤 b 的操作。

 **注：** 此程序可确保将磁盘配置为基本磁盘。

- 4 在 **Disk Management**（磁盘管理）窗口中，验证是否显示四个磁盘。磁盘的大小应大致相同，且与分配给存储系统中的节点的虚拟磁盘的大小相同。
- 5 在其余的节点上重复执行步骤 1 至步骤 4。

为 Oracle 群集件、数据库和备份准备磁盘

本节介绍有关为以下磁盘创建逻辑驱动器的信息：

- Oracle 群集注册表磁盘 (OCR) — 包含群集配置信息。
- 投票磁盘 — 当专用网络或连接的存储设备无法用于一个或多个节点时，投票磁盘提供群集节点间的仲裁。
- 数据和备份磁盘 — 为创建数据库（数据磁盘）及保存备份和日志数据（备份磁盘）提供存储区域。

在本说明文件中所述的群集配置过程中，确保在共享存储设备上创建分区时，群集节点可以检测到在连接的存储系统中创建的逻辑磁盘。

要为 Oracle 群集件准备磁盘，应确定 OCR、投票、数据和快擦写恢复区域磁盘。确定适当的磁盘后，在节点 1 上执行以下步骤：

为共享磁盘启用自动安装选项


- 1 在节点 1 上，单击 **Start**（开始）→ **Run**（运行）。
- 2 键入 `cmd`，然后单击 **OK**（确定）。
- 3 在命令提示符下，键入 `diskpart`，然后按 `<Enter>` 键。
- 4 在 `DISKPART` 命令提示符下，键入 `automount enable`，然后按 `<Enter>` 键。
将显示以下信息：Automatic mounting of new volumes enabled.（已启用新卷自动安装。）
- 5 在 `DISKPART` 命令提示符下，键入 `exit`，然后按 `<Enter>` 键。
- 6 关闭命令提示符。
- 7 在其余各节点上重复执行步骤 1 到步骤 5。

为 Windows 2008 R2 SP1 上使用 ASM 的数据库存储准备用于群集件、数据库磁盘和快擦写恢复区域的 OCR 和投票磁盘

创建扩展分区和逻辑驱动器的程序如下：

- 1 单击 **Start**（开始） → **Run**（运行），然后键入 `cmd` 并按 `<Enter>` 键以打开命令提示符窗口。
- 2 在命令提示符中键入 `diskpart` 以打开 `diskpart` 界面。
- 3 键入 `list disk`，将显示以下表：

Disk ###	Status	Size	Free	Dyn	GPT
Disk 0	Online	37 GB	0 MB	-	-
Disk 1	Online	2048 MB	2048 MB	-	-
Disk 2	Online	100 GB	100 GB	-	-
Disk 3	Online	200 GB	200 GB	-	-

- 4 输入 `select disk [disk #]`（目标磁盘的磁盘编号）。
 **注：**以下步骤介绍如何为 MBR 磁盘创建分区和逻辑磁盘。
- 5 键入 `create partition extended`，然后按 `<Enter>` 键。
- 6 键入 `create partition logical size=<size of volume in megabytes>`，然后按 `<Enter>` 键。
- 7 在确定用于群集件（OCR 和投票磁盘）和确定用于数据库存储（数据库磁盘和快擦写恢复区域）的所有磁盘上重复步骤 4 至步骤 6。

删除分配的驱动器号

- 1 单击 **Start**（开始）→ **Administrative Tools**（管理工具）→ **Server Manager**（服务器管理器）。
- 2 展开 **Storage**（存储），然后单击 **Disk Management**（磁盘管理）。
- 3 如果找到任何分配给在第 105 页上的“为 Windows 2008 R2 SP1 上使用 ASM 的数据库存储准备用于群集件、数据库磁盘和快擦写恢复区域的 OCR 和投票磁盘”中创建的驱动器的驱动器号，请执行以下步骤：
 - a 右键单击逻辑驱动器，然后选择 **Change Drive Letter and Paths**（更改驱动器号和路径）。
 - b 选择驱动器号，然后单击 **Remove**（删除）。
 - c 在 **Confirm**（确认）窗口中，单击 **Yes**（是）。
 - d 对存储分区上的其余逻辑驱动器重复执行步骤 a 至步骤 c。

索引

M

Modular Disk Storage
Manager, 82

MPIO 软件, 82

N

NIC
端口分配, 65

P

PowerConnect 交换机, 95

S

SAS
群集设置, 79, 87, 95, 103

Z

帮助, 64
Dell 支持, 64
Oracle 支持, 64

布线
iSCSI 群集, 88

卷, 98

术语
成员, 95
池, 95
卷, 95
组, 95

资源介质
PowerVault MD3000, 83

Oracle Database sous Microsoft
Windows Server x64
pour systèmes Dell PowerEdge

**Guide de stockage
et de mise en réseau**

Version 1.6



Remarques, précautions et avertissements



REMARQUE : une REMARQUE indique des informations importantes qui peuvent vous aider à mieux utiliser votre ordinateur.



PRÉCAUTION : une PRÉCAUTION indique un risque de dommage matériel ou de perte de données en cas de non-respect des instructions.



AVERTISSEMENT : un AVERTISSEMENT indique un risque potentiel d'endommagement du matériel, de blessure corporelle ou même de mort.

**Les informations contenues dans ce document sont sujettes à modification sans préavis.
© 2011 Dell Inc. tous droits réservés.**

La reproduction de ce document, de quelque manière que ce soit, sans l'autorisation écrite de Dell Inc. est strictement interdite.

Marques utilisées dans ce document : Dell™, le logo DELL, EqualLogic™, Optiplex™, PowerConnect™, PowerEdge™ et PowerVault™ sont des marques de Dell Inc. Broadcom™ est une marque déposée de Broadcom Corp. Intel® est une marque déposée de Intel aux États-Unis et dans d'autres pays. Oracle® est une marque déposée d'Oracle Corporation et/ou de ses filiales. Microsoft®, Windows® et Windows Server® sont des marques ou des marques déposées de Microsoft Corporation aux États-Unis et/ou dans d'autres pays.

D'autres marques et noms commerciaux peuvent être utilisés dans ce document pour faire référence aux entités revendiquant la propriété de ces marques ou de ces noms de produits. Dell Inc. rejette tout intérêt propriétaire dans les marques et les noms commerciaux autres que les siens.

Table des matières

1	Présentation	115
	Documentation nécessaire au déploiement de la base de données Dell Oracle 11g R2	115
	Terminologie utilisée dans le présent document	116
	Obtention d'aide	116
	Support Dell	116
	Support Oracle	116
2	Configuration du réseau	117
	Désactivation du protocole IPv6 pour les adaptateurs réseau.	117
	Configuration du regroupement (teaming) de cartes réseau pour vos cartes réseau privées.	118
	Configuration des adresses IP pour les cartes des réseaux public et privé	121
	Exigences pour l'adresse IP et la résolution de nom	123
	Pour un cluster utilisant un serveur GNS	123
	Pour un cluster utilisant un serveur DNS	126
	Activation du service IPMI	128
	Prérequis pour activer le service IPMI.	128
	Configuration de votre système géré.	129
	Configuration du contrôleur BMC	129

3	Configuration d'un cluster SAS pour les châssis de stockage Dell PowerVault	133
	Configuration du matériel	135
	Installation des logiciels hôtes requis pour le stockage	137
	Vérification et mise à niveau du micrologiciel	137
	Installation du pilote de l'adaptateur HBA SAS.	137
	Installation des logiciels hôtes requis pour le stockage	138
	Installation du logiciel MD Storage.	138
	Tâches de post-installation.	140
	Vérification de la détection des matrices de stockage	141
4	Configuration d'un cluster iSCSI pour les châssis de stockage Dell PowerVault	143
	Configuration du matériel	145
	Installation des logiciels hôtes requis pour le stockage	149
	Vérification et mise à niveau du micrologiciel	149
	Configuration d'un cluster iSCSI pour les châssis de stockage Dell PowerVault MD32xxi et MD12xx.	150
	Configuration du matériel.	150
	Installation des logiciels hôtes requis pour le stockage	150

5	Configuration d'un cluster iSCSI pour le système de stockage Dell EqualLogic PS Series	153
	Terminologie EqualLogic	153
	Configuration du système de stockage iSCSI EqualLogic.	154
	Création des volumes.	157
	Configuration des réseaux iSCSI.	159
	Configuration des paramètres d'accès des systèmes hôtes aux volumes.	159
6	Configuration du stockage de la base de données sur l'hôte	163
	Vérification et identification des disques de stockage	163
	Vérification de l'affectation des unités de stockage aux nœuds	163
	Préparation des disques pour Oracle Clusterware, la base de données et la sauvegarde	164
	Activation de l'option Automount sur les disques partagés	165
	Préparation du disque OCR et du disque de vote pour Clusterware, disque de base et zone de récupération flash pour le stockage de base de données à l'aide d'ASM sous Windows 2008 R2 SP1	165
	Suppression des lettres affectées aux lecteurs	166
	Index	167

Présentation

Ce document fournit des instructions de configuration du stockage et de la mise en réseau en vue de l'exécution de Dell|Oracle Database sur un système doté de Microsoft Windows Server 2008 R2 SP1. Les procédures décrites dans ce document s'appliquent à Oracle Database 11g R2 exécuté sous Microsoft Windows Server x64. Pour obtenir la liste des configurations de stockage et de mise en réseau prises en charge par votre système, accédez à dell.com/oracle puis sélectionnez **Dell Validated Components** (Composants approuvés par Dell).

Documentation nécessaire au déploiement de la base de données Dell|Oracle 11g R2

Outre le présent document, *Oracle Database sous Microsoft Windows Server x64 pour systèmes Dell PowerEdge - Guide de stockage et de mise en réseau*, la documentation d'installation de Dell|Oracle Database se compose des guides suivants :

- *Oracle Database sous Microsoft Windows Server x64 pour systèmes Dell PowerEdge - Guide d'installation du système d'exploitation et du matériel* : ce guide présente la configuration minimale et les versions logicielles requises, le mode d'installation et de configuration du système d'exploitation, la procédure de vérification des configurations matérielles et logicielles et la manière d'obtenir des fichiers Open Source.
- *Oracle Database sous Microsoft Windows Server x64 pour systèmes Dell PowerEdge - Guide d'installation et de configuration de la base de données* : ce guide décrit comment installer et configurer la base de données Oracle.
- *Oracle Database sous Microsoft Windows Server x64 pour systèmes Dell PowerEdge - Guide de dépannage* : ce guide explique comment résoudre les erreurs rencontrées lors des procédures d'installation présentées dans les modules précédents.

Terminologie utilisée dans le présent document

Ce document utilise les termes volume et disque virtuel, qui sont synonymes et interchangeables. Le terme volume s'utilise généralement dans un environnement de stockage Dell EqualLogic iSCSI tandis que le terme disque virtuel est plutôt réservé aux environnements de stockage Dell PowerVault SAS et iSCSI (Dell PowerVault MD3000/MD32xx/MD36xxi et Dell PowerVault MD3000i/MD32xxi avec châssis d'extension Dell PowerVault MD1000/MD12xx).

Obtention d'aide

Support Dell

- Pour plus d'informations sur l'utilisation du système, reportez-vous à la documentation fournie avec ses composants.
- Pour consulter les livres blancs, vous informer sur les configurations Dell prises en charge ou obtenir des informations plus générales, consultez le site dell.com/oracle.
- Pour bénéficier du support technique Dell pour le matériel ou le système d'exploitation et télécharger les dernières mises à jour destinées à votre système, voir le site Web support.dell.com.
- Pour plus d'informations sur les services de formation Dell Enterprise, visitez le site dell.com/training.



REMARQUE : ce service n'est disponible que dans certains pays.

Support Oracle

- Pour des informations sur les formations relatives au logiciel Oracle et au clusterware de l'application, mais aussi pour contacter Oracle, voir oracle.com ou votre documentation Oracle.
- Pour obtenir une assistance technique, accéder aux téléchargements ou consulter des informations techniques, rendez-vous sur le site support.oracle.com.
- Pour obtenir des informations sur l'installation et la configuration d'Oracle, consultez le document *Oracle Database sous Microsoft Windows Server x64 pour systèmes Dell PowerEdge - Guide d'installation et de configuration de la base de données* sur le site support.dell.com/manuals.

Configuration du réseau

Cette section fournit des informations sur la configuration du réseau de clusters publics et privés.



REMARQUE : chaque nœud doit être associé à une adresse IP publique et privée unique. Une adresse IP publique supplémentaire doit être utilisée comme adresse IP virtuelle pour les connexions des clients et le basculement en cas de panne. L'adresse IP virtuelle doit appartenir au même sous-réseau que l'adresse IP publique. Toutes les adresses IP publiques, y compris l'adresse IP virtuelle, doivent être enregistrées sur le DNS (système de noms de domaine). Si un serveur DNS n'est pas disponible, les adresses IP doivent être enregistrées dans le fichier d'hôtes sur tous les nœuds du cluster.

Selon le nombre de ports de carte réseau disponibles, configurez les interfaces comme indiqué dans le tableau 2-1.

Tableau 2-1. Affectation des ports de carte réseau

Port de carte réseau	Ports disponibles
1	IP publique, IP virtuelle et IP SCAN (Single Client Access Name)
2	IP privé (groupe de cartes réseau)
3	IP privé (groupe de cartes réseau)

Désactivation du protocole IPv6 pour les adaptateurs réseau

IPv6 n'est pas certifié avec Grid Infrastructure et doit être désactivé avant l'installation de Grid Infrastructure.

Pour désactiver IPv6 sur tous les nœuds :

- 1 Cliquez sur **Démarrer** → **Outils d'administration** → **Gestionnaire de serveur**.
- 2 Dans la fenêtre **Gestionnaire de serveur**, développez **Diagnostics**.

- 3** Cliquez sur **Gestionnaire de périphériques**→**Affichage**→**Afficher les périphériques cachés**.
Les adaptateurs Microsoft Failover Cluster Virtual Adapter et Tunnel (Microsoft ISATAP, 6to4, Teredo) doivent être désactivés.
- 4** Ouvrez **Regedit** et **Registre de sauvegarde**.
- 5** Accédez à **HKEY_LOCAL_MACHINE\SYSTEM\CurrentControlSet\Services\Tcpip6\Parameters**.
- 6** Double-cliquez sur **DisabledComponents** (Composants désactivés) pour le modifier. Si aucune valeur n'est affichée, cliquez sur **Edit**→**New**→**DWORD (32-bit) Value**. (Édition→Nouveau→Valeur DWORD [32 bits]).
- 7** Entrez **DisabledComponents** (Composants désactivés) et appuyez sur **<Entrée>**.
- 8** Entrez la valeur **DWORD** : **0xffffffff**.
Tous les composants IPv6 sont désactivés à l'exception de l'interface loopback IPv6.


Configuration du regroupement (teaming) de cartes réseau pour vos cartes réseau privées

- 1** Sur le nœud 1, identifiez deux cartes réseau devant être utilisées pour le regroupement.
- 2** Installez un câble Ethernet entre chaque carte réseau sélectionnée et le commutateur du réseau privé.
- 3** Si le nœud 1 est configuré avec des cartes réseau (NIC), passez à l'étape 4. S'il est configuré avec des cartes réseau (NIC), configurez le regroupement des cartes comme suit :
 - a** Cliquez sur **Démarrer**→**Outils d'administration**→**Gestionnaire de serveur**.
 - b** Dans la fenêtre **Gestionnaire de serveur**, sélectionnez **Gestionnaire de périphériques**.
 - c** Développez **Cartes réseau**.

- d** Cliquez avec le bouton droit de la souris sur la carte réseau Intel qui est identifiée comme faisant partie du regroupement des cartes réseau et sélectionnez **Propriétés**.
 - e** Cliquez sur l'onglet **Teaming** (Regroupement).
 - f** Sélectionnez **Team with other Adapters** (Regrouper avec d'autres cartes), puis **New Team** (Nouveau regroupement).
 - g** Spécifiez le nom du regroupement des cartes réseau et cliquez sur **Next** (Suivant).
 - h** Dans la zone **Select the adapters to include in this team** (Sélectionner les cartes à ajouter à ce regroupement), sélectionnez les cartes réseau restantes que vous avez identifiées pour le regroupement et cliquez sur **Next** (Suivant).
 - i** Dans la liste **Select a team mode** (Sélectionner un mode de regroupement), sélectionnez **Adaptive Load Balancing** (Équilibrer la charge adaptative).
 - j** Cliquez sur **Finish** (Terminer) pour terminer le regroupement.
 - k** Dans la fenêtre **Team Properties** (Propriétés du regroupement), cliquez sur **OK**.
 - l** Dans la fenêtre **Properties** (Propriétés) de la carte réseau Intel, cliquez sur **OK**.
 - m** Fermez la fenêtre **Gestion de l'ordinateur**.
- 4** Si le nœud 1 est configuré avec des cartes réseau Broadcom, configurez le regroupement des cartes réseau comme suit. Sinon, passez à l'étape 5.
- a** Cliquez sur **Démarrer** → **Tous les programmes** → **Broadcom** → **Broadcom Advanced Control Suite 3**.
La fenêtre **Broadcom Advanced Control Suite 3** s'affiche.
 - b** Sélectionnez **Team Management** (Gestion des regroupements), effectuez un clic droit sur **Teams** (Regroupements) et sélectionnez **Create a Team** (Créer un regroupement).
La fenêtre **Broadcom Teaming Wizard** (Assistant de regroupement Broadcom) s'affiche.
 - c** Cliquez sur **Next** (Suivant).

- d** Dans le champ **Enter the name for the team** (Entrer le nom du regroupement), entrez **Private** (Privé) et cliquez sur **Next** (Suivant).
- e** Dans le champ **Team Type** (Type de regroupement), sélectionnez **Smart Load Balancing (TM)** (Équilibrage de charge dynamique) et **Failover (SLB)** (Basculement), puis cliquez sur **Next** (Suivant).
- f** La fenêtre **Assigning Team Members** (Affectation des membres du regroupement) s'affiche. Dans la zone **Available Adapters** (Cartes disponibles), sélectionnez les cartes réseau identifiées précédemment et ajoutez-les à la zone **Team Members** (Membres du regroupement).
L'ajout de cette carte à un regroupement perturbe les fonctions de gestion du système.
- g** Cliquez sur **Yes** (Oui) pour continuer.
- h** Cliquez sur **Next** (Suivant).
- i** Dans la fenêtre **Designating a Standby Member** (Désignation d'un membre de secours), sélectionnez une **carte réseau**, sinon sélectionnez **Do not configure a standby member** (Ne pas configurer de membre de secours).
- j** Dans la fenêtre **Configuring Live Link** (Configurer une liaison active), sélectionnez **No** (Non) et cliquez sur **Next** (Suivant).
- k** Dans la fenêtre **VLAN Support** (Prise en charge du réseau local virtuel), sélectionnez **Add VLAN** (Ajouter un réseau local virtuel) s'il existe un réseau local virtuel que vous souhaitez configurer. Sinon, sélectionnez **Skip manage VLAN** (Ignorer la gestion du réseau local virtuel).
- l** Dans la dernière fenêtre, cliquez sur **Preview** (Aperçu) pour vérifier que les adaptateurs et le regroupement des cartes réseau sont corrects. Une fois cela vérifié, sélectionnez **Commit changes to system** (Appliquer les modifications au système) et quittez l'assistant.
- m** Cliquez sur **Finish** (Terminer).
- n** Dans la fenêtre d'information, cliquez sur **Yes** (Oui) pour continuer.
- o** Dans la fenêtre **Broadcom Advanced Control Suite 3**, cliquez sur **File→Exit** (Fichier→Quitter).


- 5 Recommencez la procédure de l'étape 1 à l'étape 4 sur les nœuds restants.

 **REMARQUE** : il est recommandé d'avoir les deux ports de cartes réseau avec lien pour réseau privé sur des bus PCI distincts. Par exemple, une paire avec lien peut être composée d'une carte réseau intégrée et d'une carte réseau supplémentaire.

Configuration des adresses IP pour les cartes des réseaux public et privé

- 1 Mettez à jour le nom de l'interface réseau de la carte, si cela est nécessaire. Sinon, passez à l'étape 2.

- a Sur le nœud 1, cliquez sur **Démarrer** → **Outils d'administration** → **Gestionnaire de serveur** → **Afficher les connexions réseau**.
- b Dans la fenêtre **Connexions réseau**, cliquez avec le bouton droit de la souris sur la carte du réseau public à renommer et sélectionnez **Renommer**.

 **REMARQUE** : le programme d'installation d'Oracle Database génère une erreur et vous ne pourrez pas terminer la procédure d'installation si vous n'utilisez pas de noms identiques pour les cartes privées et publiques sur tous les nœuds de cluster. Nous vous conseillons fortement d'utiliser des noms identiques pour les cartes privées et publiques lorsque vous configurez vos cartes réseau sur les nœuds de cluster.

- c Renommez **Public** la carte réseau publique et appuyez sur **<Entrée>**.
 - d Cliquez avec le bouton droit de la souris sur le regroupement de cartes réseau privées à renommer et sélectionnez **Renommer**.
 - e Renommez **Private** (Privé) le regroupement de cartes réseau privées et appuyez sur **<Entrée>**.
- 2 Configurez les adresses IP.
 - a Cliquez sur **Démarrer** → **Outils d'administration** → **Gestionnaire de serveur** → **Afficher les connexions réseau** → **Public** → **Propriétés**.
 - b Double-cliquez sur **Protocole Internet (TCP/IP)**.
 - c Cliquez sur **Utiliser l'adresse IP suivante**, entrez l'adresse IP requise, l'adresse de la passerelle par défaut et celle du serveur DNS, puis cliquez sur **OK**.
 - d Cliquez sur **OK**.

- e Dans la fenêtre **Propriétés**, cliquez sur **Fermer**.
- f Recommencez la procédure de l'étape a à l'étape e sur le regroupement de cartes réseau privées.



REMARQUE : le regroupement de cartes réseau privées ne requiert pas d'adresse de passerelle par défaut ni d'entrée sur le serveur DNS.

- 3 Vérifiez que les cartes réseau publiques et privées apparaissent dans l'ordre approprié pour que les services réseau puissent y accéder.

- a Sous **Windows Server**, cliquez sur **Démarrer**→ **Rechercher des programmes et fichiers** et tapez **Afficher les connexions réseau**. Dans les résultats de la recherche, cliquez sur **Afficher les connexions réseau**.
- b Dans la fenêtre **Connexions réseau**, cliquez sur **Organiser**→ **Disposition**→ **Barre de menus**, puis sur **Avancé**, et sélectionnez **Paramètres avancés**.
- c Sélectionnez l'onglet **Cartes et liaisons**.
- d Assurez-vous que les cartes réseau apparaissent dans l'ordre suivant :

- Public
- Privé
- <Autres cartes réseau>



REMARQUE : pour modifier l'ordre des cartes, cliquez sur les flèches vers le haut et vers le bas.

- e IPv4 doit apparaître avant IPv6.
 - f Cliquez sur **OK**.
 - g Fermez la fenêtre **Connexions réseau**.
- 4 Recommencez la procédure de l'étape 1 à l'étape 4 sur les nœuds restants.

5 Vérifiez que les nœuds du cluster peuvent communiquer avec les réseaux public et privé.

a Sur le nœud 1, ouvrez une fenêtre d'invite de commande.

b À l'invite de commande, entrez :

```
ping <nom_hôte_public>
```

```
ping <nom_hôte_privé>
```

où *<nom_hôte_public>* et *<nom_hôte_privé>* sont les noms des hôtes des cartes réseau publiques et privées sur le nœud restant.

Si les cartes réseau de ce nœud ne répondent pas aux commandes ping, vérifiez la configuration du réseau et recommencez cette étape.



REMARQUE : par défaut, le pare-feu Windows est activé sous Windows Server 2008 R2 SP1, ce qui fait échouer la commande ping avec les adresses IP statiques. Désactivez-le afin de pouvoir envoyer des commandes ping aux autres nœuds.



REMARQUE : le protocole Internet virtuel (VIP) est configuré ultérieurement et ne peut pas encore faire l'objet d'une commande ping.

c Recommencez la procédure de l'étape a à l'étape b sur les nœuds restants.

Exigences pour l'adresse IP et la résolution de nom

Pour un cluster utilisant un serveur GNS

Pour configurer un contrôle d'accès à distance d'Oracle 11g R2 à l'aide d'Oracle Global Naming Server (GNS), il vous faudra :

- Au moins deux interfaces configurées sur chaque nœud, une pour l'adresse IP privée et une pour l'adresse IP publique.
- Un serveur DNS (Domain Naming Server) s'exécutant sur le réseau pour la résolution d'adresses de l'adresse IP virtuelle du serveur GNS.
- L'entrée DNS pour établir une recherche DNS en vue de diriger la résolution DNS d'un sous-domaine vers le cluster.

- Un service DHCP s'exécutant sur le réseau public du cluster.
- Suffisamment d'adresses sur le service DHCP pour attribuer une adresse IP au réseau virtuel IP de chaque nœud et trois adresses IP au cluster utilisé par le nom SCAN.

Le tableau 2-2 présente les interfaces, paramètres d'adresses IP et résolutions d'un cluster.

Tableau 2-2. Paramètres d'adresses IP d'un cluster utilisant un serveur GNS

Interface	Type	Solution
Publique	Statique	%RacineSystème%\system32\drivers\etc\hosts
Privée	Statique	Non requis
Adresse IP virtuelle du nœud	DHCP	GNS
Adresse IP virtuelle du serveur GNS	Statique	DNS
Adresse IP virtuelle du SCAN	DHCP	GNS

Configuration d'un serveur DNS

Pour configurer un serveur DNS à l'aide d'un serveur GNS :

- 1** Configurez l'adresse VIP du serveur GNS sur le serveur DNS. Pour cela, sur le serveur DNS, créez une entrée de résolution de nom pour l'adresse IP virtuelle du serveur GNS dans les zones de recherche.
 - a** Ouvrez **DNS Manager** (Gestionnaire DNS).
 - b** Cliquez sur **DNS server** → **Forward Lookup Zones** → **DNS Domain** (Serveur DNS → Zones de recherche → Domaine DNS).
 - c** Effectuez un clic droit sur **DNS Domain** et sélectionnez **New Host (A or AAAA)** (Nouvel hôte [A ou AAAA]).
 - d** Dans la fenêtre **New Host** (Nouvel hôte), entrez le nom et l'adresse IP virtuelle du serveur GNS.
 - e** Cliquez sur **Add Host** (Ajouter l'hôte).
 - f** Cliquez sur **OK**.

- g Cliquez sur **Done** (Terminé) dans la fenêtre **New Host** (Nouvel hôte).
Par exemple : `serveur-gns Host A 192.0.2.2`
où *serveur-gns* est l'adresse IP virtuelle du serveur GNS attribuée lors de l'installation de la grille. L'adresse fournie doit être routable et appartenir à la plage publique. Par exemple, 192.0.2.2.
- 2 Configurez la délégation de sous-domaine GNS. Pour cela, sur le serveur DNS, créez une entrée pour établir un fichier de recherche DNS qui dirige la résolution DNS d'un sous-domaine GNS au cluster. Ouvrez **DNS Manager** (Gestionnaire DNS) et procédez comme suit :
 - a Cliquez sur **DNS server** → **Conditional Forwarders** (Serveur DNS → Redirecteurs conditionnels).
 - b Effectuez un clic droit sur **Conditional Forwarders** (Redirecteurs conditionnels) et sélectionnez **New Conditional Forwarder** (Nouveau redirecteur conditionnel).
 - c Dans la fenêtre **New Conditional Forwarders** (Nouveaux redirecteurs conditionnels), entrez le sous-domaine GNS et l'adresse VIP du serveur GNS (que vous devez fournir lors de l'installation de la grille).
Exemple : `clusterdomain.subdomain.com`
(sous-domaine GNS) 192.0.2.2 (adresse VIP du serveur GNS configurée à l'étape 1)
 - d Cliquez sur **OK**.
 - e Redémarrez le service DNS.

Configuration de la résolution des noms d'hôte

Ajoutez des entrées d'hôte dans le nom de domaine du fichier `%RacineSystème%\system32\drivers\etc\hosts`. Sur chaque nœud, modifiez les lignes du fichier `%RacineSystème%\system32\drivers\etc\hosts` en tapant :

```
127.0.0.1 localhost
```

```
<IP publique du nœud1> <nom d'hôte public du nœud1>
```

```
<IP publique du nœud2> <nom d'hôte public du nœud2>
```

Pour un cluster utilisant un serveur DNS

Pour configurer Oracle 11g R2 RAC à l'aide d'Oracle DNS (sans GNS) :

- 1 Configurez au moins deux interfaces sur chaque nœud, une pour l'adresse IP privée et une pour l'adresse IP publique.
- 2 Configurez un NOM SCAN pour le DNS pour une résolution en alternance vers trois adresses (recommandé) ou au moins une adresse. Les adresses SCAN doivent appartenir au même sous-réseau que les adresses IP virtuelles et les adresses IP publiques.



REMARQUE : pour une disponibilité et une évolutivité de haute qualité, il est recommandé de configurer le SCAN pour l'utilisation d'une résolution en alternance vers trois adresses IP. Le nom du SCAN ne doit pas commencer par un chiffre. Pour une installation correcte, le SCAN doit résoudre vers au moins une adresse.

Le tableau 2-3 décrit les différents interfaces, paramètres d'adresse IP et résolutions d'un cluster.

Tableau 2-3. Paramètres d'adresses IP d'un cluster utilisant un serveur DNS

Interface	Type	Solution
Publique	Statique	%RacineSystème%\system32\drivers\etc\hosts ou DNS
Privée	Statique	Non requis
Adresse IP virtuelle du nœud	Statique	%RacineSystème%\system32\drivers\etc\hosts ou DNS
Adresse IP virtuelle du SCAN	Statique	DNS

Configuration d'un serveur DNS

Pour configurer les modifications sur un serveur DNS pour un cluster Oracle 11g R2 avec un DNS (sans GNS) :

- 1 Configurez la résolution NOM SCAN sur le serveur DNS.
- 2 Sur le serveur DNS, créez une entrée de résolution de nom pour l'adresse IP virtuelle du serveur GNS dans le fichier de recherche.
- 3 Ouvrez **DNS Manager** (Gestionnaire DNS).
- 4 Cliquez sur **DNS server** → **Forward Lookup Zones** → **DNS Domain** (Serveur DNS → Zones de recherche → Domaine DNS).
- 5 Effectuez un clic droit sur DNS Domain et sélectionnez **New Host (A or AAAA)** (Nouvel hôte [A ou AAAA]).
- 6 Dans la fenêtre **New Host (Nouvel hôte)**, entrez le nom et l'adresse IP virtuelle du serveur GNS.
- 7 Cliquez sur **Add Host** (Ajouter l'hôte).
- 8 Cliquez sur **OK**.
- 9 Ajoutez trois adresses IP virtuelles/hôtes avec le même nom SCAN.
- 10 Cliquez sur **Done** (Terminé) dans la fenêtre **New Host (Nouvel hôte)**.
Par exemple :

```
scancluster Host A 192.0.2.1
```

```
scancluster Host A 192.0.2.2
```

```
scancluster Host A 192.0.2.3
```

où *scancluster* correspond au NOM SCAN fourni lors de l'installation de la grille.



REMARQUE : l'adresse IP SCAN fournie doit être routable et appartenir à la plage publique.

Configuration de la résolution des noms d'hôte

Pour configurer les modifications requises sur les nœuds du cluster pour la résolution de noms :

- 1 Ajoutez des entrées d'hôte dans le fichier
`%RacineSystème%\system32\drivers\etc\hosts`.
- 2 Sur chaque nœud, modifiez les lignes du fichier
`%RacineSystème%\system32\drivers\etc\hosts` en tapant :

```
127.0.0.1 localhost
<IP publique du nœud1> <nom d'hôte public
du nœud1>
<IP publique du nœud2> <nom d'hôte public
du nœud2>
<IP virtuelle du nœud1> <nom d'hôte virtuel
du nœud1>
<IP virtuelle du nœud2> <nom d'hôte virtuel
du nœud2>
```

Activation du service IPMI

L'interface de gestion de plateforme intelligente (IPMI) fournit un ensemble d'interfaces standard pour matériel et micrologiciels, que les administrateurs système utilisent pour gérer le système et surveiller son intégrité. Avec Oracle 11g R2, Oracle Clusterware peut intégrer le service IPMI pour prendre en charge l'isolement de défaillances et vérifier l'intégrité du cluster.

Prérequis pour activer le service IPMI

Chaque nœud de cluster doit être doté d'un contrôleur de gestion de la carte mère (BMC) exécutant un micrologiciel compatible avec le service IPMI version 1.5 ou supérieure et configuré pour la commande à distance via le réseau local. Utilisez le support de l'utilitaire Dell OpenManage pour installer les utilitaires DRAC BMC.



REMARQUE : il est recommandé d'utiliser un réseau de gestion dédié (port DRAC) pour le service IPMI.

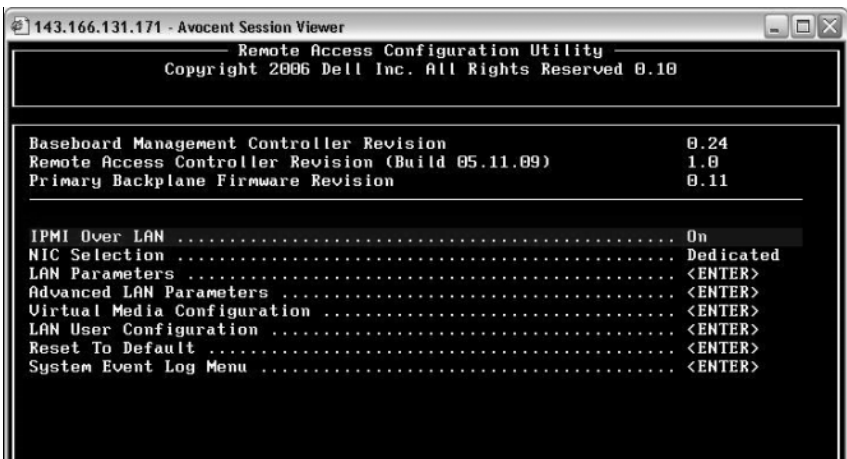
Configuration de votre système géré

Avant d'utiliser l'utilitaire de gestion du contrôleur BMC, configurez certains éléments nécessaires, comme le BIOS du système, le réseau, la clé de cryptage de l'interface de gestion de plateforme intelligente (IPMI) et les paramètres de connexion série, selon la fonctionnalité à exécuter, pour activer l'accès au contrôleur BMC.

Pour utiliser l'utilitaire de gestion du contrôleur BMC, vous devez disposer d'une connexion active entre la station de gestion et le port du contrôleur BMC cible. Cette section décrit les procédures de base que vous devez effectuer pour préparer l'accès au contrôleur BMC et sa gestion à l'aide de l'utilitaire de gestion du contrôleur BMC.

Configuration du contrôleur BMC

Vous pouvez effectuer une configuration du contrôleur BMC de base à l'aide de l'utilitaire de configuration de l'accès à distance pendant le démarrage du système.



Accès à l'utilitaire de configuration de l'accès à distance

- 1 Allumez ou redémarrez le système.
- 2 Appuyez sur <Ctrl><E> lorsque vous y êtes invité après l'autotest de démarrage.

Si le système d'exploitation commence à se charger alors que vous n'avez pas encore appuyé sur <Ctrl><E>, attendez qu'il finisse de démarrer, puis redémarrez-le et réessayez.

Options de l'utilitaire de configuration de l'accès à distance

Le tableau 2-4 répertorie les options de l'utilitaire de configuration de l'accès à distance et montre comment configurer le contrôleur BMC sur un système géré. Après avoir saisi tous les paramètres, appuyez sur <Échap> et sélectionnez une des options suivantes :

- **Save Changes** (Enregistrer les modifications) et **Exit** (Quitter) : conserve toutes les entrées effectuées dans l'utilitaire de configuration de l'accès à distance.
- **Discard Changes** (Annuler les modifications) et **Exit** (Quitter) : annule toutes les entrées effectuées dans l'utilitaire de configuration de l'accès à distance.
- **Return to Setup** (Retourner à la configuration) : permet de continuer à utiliser l'utilitaire de configuration de l'accès à distance.

Tableau 2-4. Utilitaire de configuration de l'accès à distance

Option	Description
IPMI Over LAN (IPMI sur LAN)	Activé
NIC Selection (Sélection de carte réseau)	Dédié Active l'utilisation par le périphérique d'accès à distance de l'interface réseau dédiée disponible sur le contrôleur RAC (Remote Access Controller). Cette interface n'est pas partagée avec le système d'exploitation hôte et dirige le trafic de gestion système vers un réseau physique distinct, afin de le séparer du trafic de l'application. REMARQUE : cette option est uniquement disponible sur les systèmes dotés d'un contrôleur DRAC.

Tableau 2-4. Utilitaire de configuration de l'accès à distance (suite)

Option	Description
LAN Parameters (Paramètres LAN)	
IP Address Source (Source d'adresse IP)	Une adresse IP statique ou une adresse DHCP est attribuée au contrôleur réseau.
Ethernet IP Address (Adresse IP Ethernet)	Adresse IP statique du contrôleur BMC. Ce champ est limité à une valeur maximale de 255.255.255.255. Les règles IPv4 suivantes sont appliquées : <ul style="list-style-type: none">• Les adresses IP ne peuvent pas être 127.xxx.xxx.xxx, où xxx se situe entre 0 et 255.• Le premier octet doit être entre 1 et 223 (par exemple 143.xxx.xxx.xxx). REMARQUE : l'adresse IP 169.254.0.2 et le masque de sous-réseau 255.255.0.0 sont renvoyés lorsque le contrôleur BMC est incapable d'entrer en contact avec le serveur DHCP.
Subnet Mask (Masque de sous-réseau)	Masque de sous-réseau de l'adresse IP statique. REMARQUE : l'adresse IP 169.254.0.2 et le masque de sous-réseau 255.255.0.0 sont renvoyés lorsque le contrôleur BMC est incapable d'entrer en contact avec le serveur DHCP.
Default Gateway (Passerelle par défaut)	Passerelle IP de l'adresse IP statique.
LAN User Configuration (Configuration de l'utilisateur LAN)	Active le paramétrage du nom d'utilisateur, du mot de passe utilisateur, des privilèges utilisateur et active l'accès d'utilisateur pour la référence utilisateur 2.
Account Access (Accès au compte)	Activé
Account Privilege (Privilège du compte)	Paramétrez le compte sur : Admin .
Account User Name (Nom d'utilisateur du compte)	Attribuez un nom d'utilisateur au compte.

Tableau 2-4. Utilitaire de configuration de l'accès à distance (suite)

Option	Description
Enter Password (Saisir le mot de passe)	Saisissez le mot de passe de ce compte utilisateur. Vous devez saisir au moins 1 caractère valide.
Confirm Password (Confirmer le mot de passe)	Confirmez le mot de passe que vous avez saisi.



REMARQUE : si le premier contrôleur d'interface réseau intégré (NIC 1) est utilisé dans un groupe de canaux Ether ou d'agrégations de liens, le trafic de gestion du contrôleur BMC ne fonctionnera pas sur les systèmes PowerEdge **x8xx**. L'option de groupement de NIC est uniquement prise en charge sur les systèmes PowerEdge **x9xx** et **xx0x**. Pour des informations supplémentaires sur le regroupement réseau, consultez la documentation du contrôleur d'interface réseau.

- Vérifiez que le contrôleur BMC est accessible et qu'il peut être commandé à partir d'un nœud distant de votre cluster à l'aide de la commande **bmc info**.


Par exemple, si `node2-ipmi` est le nom d'hôte réseau attribué au contrôleur BMC pour le nœud2, alors pour le vérifier sur le nœud2 depuis le nœud1, entrez la commande suivante sur le nœud1 :

```
$ ipmitool -H node2-ipmi -U bmcuser -P password  
bmc info
```

Utilisez le compte administrateur *root* et le mot de passe *calvin*.

Si le contrôleur BMC est correctement configuré, les informations le concernant sur le nœud distant s'affichent. Si un message d'erreur s'affiche, par exemple **Error: Unable to establish LAN session** (Erreur : Impossible d'ouvrir une session sur le réseau local), vérifiez la configuration du contrôleur BMC sur le nœud distant.

Configuration d'un cluster SAS pour les châssis de stockage Dell PowerVault

 **AVERTISSEMENT** : avant d'exécuter les opérations décrites dans cette section, lisez les consignes de sécurité fournies avec votre système. Pour plus d'informations sur les meilleures pratiques, consultez le site dell.com/regulatory_compliance.

Pour configurer les systèmes Dell PowerEdge et les châssis de stockage Dell PowerVault MD32xx et MD12xx pour un environnement Oracle RAC (Real Application Cluster) :

- 1 Vérifiez les configurations matérielles et logicielles à l'aide de la figure 3-1, de la figure 3-2 et du tableau 3-1.
- 2 Suivez les procédures de la section « Configuration du matériel », à la page 135.


 **PRÉCAUTION** : avant de mettre à niveau le micrologiciel de la matrice de stockage PowerVault MD32xx, sauvegardez vos données.

Figure 3-1. Câblage du cluster SAS et du châssis de stockage Dell PowerVault MD32xx

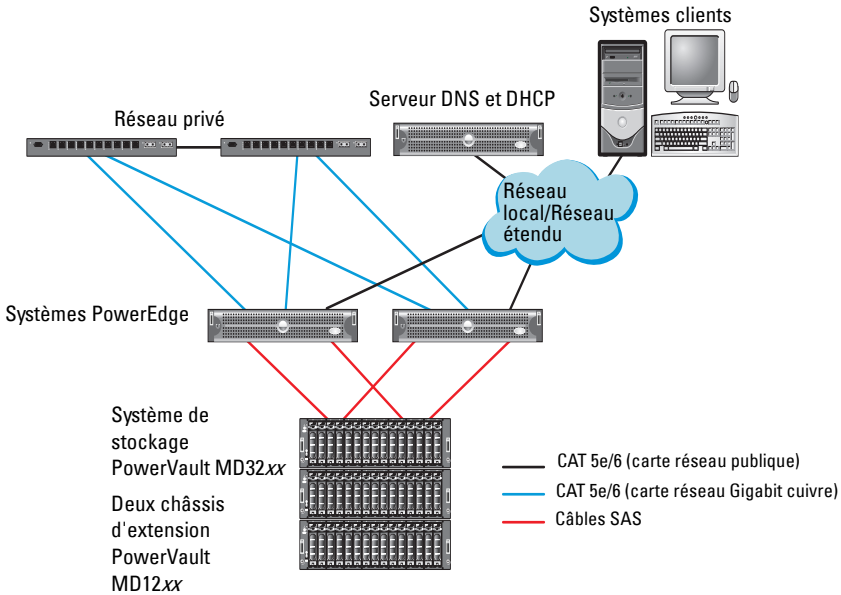


Tableau 3-1. Interconnexions matérielles d'un cluster SAS

Composant de cluster	Connexions
Nœud du système PowerEdge	<ul style="list-style-type: none"> • Un câble CAT 5e/6 reliant la carte réseau publique au réseau local (LAN) • Un câble CAT 5e/6 reliant la carte réseau Gigabit privée au commutateur Ethernet Gigabit (réseau privé) • Un câble CAT 5e/6 reliant la carte réseau Gigabit privée redondante au commutateur Ethernet Gigabit redondant (réseau privé) • Deux connexions SAS vers le nœud système PowerVault MD32xx via un contrôleur SAS HBA 6 Git/s

Tableau 3-1. Interconnexions matérielles d'un cluster SAS (suite)

Composant de cluster	Connexions
Châssis de stockage PowerVault MD32xx	<ul style="list-style-type: none">• Deux câbles CAT 5e/6 connectés au réseau local (un à partir de chaque processeur de stockage)• Deux connexions SAS vers chaque nœud système PowerEdge à l'aide de câbles SAS 6/E <p>REMARQUE : pour plus d'informations sur l'interconnexion du châssis de stockage PowerVault MD32xx, voir la section « Configuration du matériel », à la page 135.</p>
Châssis de stockage PowerVault MD12xx (en option)	Autant de connexions par câbles SAS que nécessaire pour le châssis d'extension PowerVault MD12xx

Configuration du matériel

Les clusters SAS ne peuvent être installés que dans un environnement à connexion directe ; ils sont limités à deux nœuds.

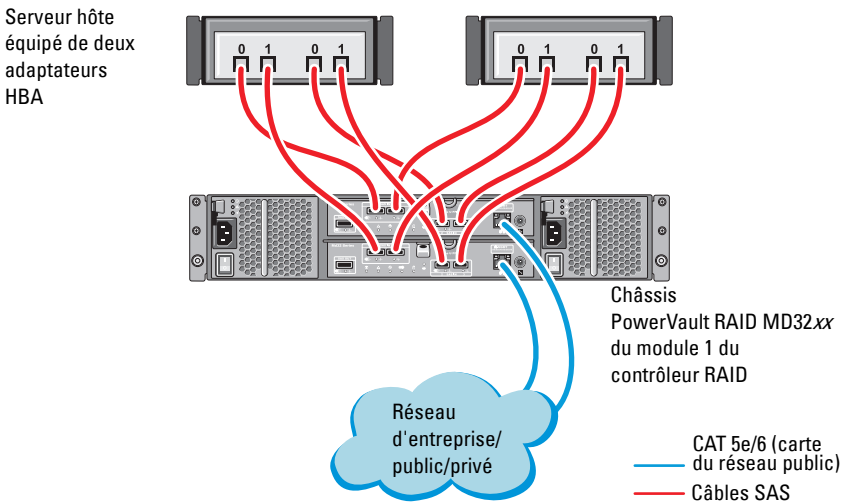
Pour configurer les nœuds dans un environnement à connexion directe :

- 1 Installez un câble SAS entre un port du contrôleur SAS du nœud 1 et le port **In-0** du contrôleur RAID 0 du châssis de stockage PowerVault MD32xx.
- 2 Installez un câble SAS entre l'autre port du contrôleur SAS du nœud 1 et le port **In-0** du contrôleur RAID 1 du châssis de stockage PowerVault MD32xx.
- 3 Installez un câble SAS entre un port du contrôleur SAS du nœud 2 et le port **In-1** du contrôleur RAID 0 du châssis de stockage PowerVault MD32xx.
- 4 Installez un câble SAS entre l'autre port du contrôleur SAS du nœud 2 et le port **In-1** du contrôleur RAID 1 du châssis de stockage PowerVault MD32xx.
- 5 Le cas échéant, connectez deux câbles SAS entre les deux ports de sortie (**Out**) du châssis de stockage PowerVault MD32xx et les deux ports d'entrée (**In**) du premier châssis d'extension PowerVault MD12xx.

- 6 Le cas échéant, connectez deux câbles SAS entre les deux ports de sortie du châssis de stockage PowerVault MD12xx et les ports In-0 du second châssis d'extension PowerVault MD12xx.

REMARQUE : pour des informations supplémentaires sur la configuration du châssis d'extension PowerVault MD12xx, voir la documentation relative au système de stockage PowerVault MD12xx à l'adresse support.dell.com/manuals.

Figure 3-2. Câblage d'un cluster SAS à connexion directe



Installation des logiciels hôtes requis pour le stockage

Pour installer les logiciels hôtes requis pour le stockage sur un châssis de stockage PowerVault MD32xx, utilisez le support Dell PowerVault Resource livré avec le système. Pour installer le logiciel Modular Disk Storage Manager (MDSM) sur le nœud principal et le logiciel multiacheminement (MPIO) sur les autres nœuds, suivez les procédures décrites dans la documentation du châssis de stockage PowerVault MD32xx.

Vérification et mise à niveau du micrologiciel

Pour vérifier et mettre à niveau le micrologiciel :

- 1 Lancez la détection des unités de stockage à connexion directe du système hôte à l'aide du logiciel MDSM installé sur le système hôte.
- 2 Vérifiez que le micrologiciel utilisé par les composants de stockage suivants respecte la version minimale requise :
 - Micrologiciel des contrôleurs RAID
 - Micrologiciel des systèmes de stockage PowerVault MD32xx
 - Micrologiciel des châssis d'extension PowerVault MD12xx



REMARQUE : pour connaître les versions minimales requises pour le micrologiciel, cliquez sur le lien **Dell Validated Components** (Composants approuvés par Dell) de la page dell.com/oracle.

Installation du pilote de l'adaptateur HBA SAS

Installez le pilote HBA SAS à partir du support *PowerVault MD32xx Resource*.



REMARQUE : vérifiez que la version du pilote SAS 5/E est équivalente ou ultérieure à celle répertoriée dans le document Solution Deliverable List (Liste des éléments pris en charge) existant pour chaque composant Dell validé à l'adresse dell.com/oracle.

Pour obtenir de l'aide lors de l'installation des pilotes sur les deux nœuds du cluster, voir la documentation fournie avec le châssis de stockage PowerVault MD32xx et les adaptateurs HBA SAS.

Installation des logiciels hôtes requis pour le stockage

Installation du logiciel

Le support de ressource PowerVault MD32xx Series contient des logiciels et des pilotes.

À la racine du support, on trouve un fichier readme.txt (Lisez-moi) qui présente les modifications apportées au logiciel, les mises à jour et les correctifs, et qui fournit d'autres informations importantes applicables aux systèmes d'exploitation Windows. Ce fichier indique également comment accéder à la documentation et contient des informations relatives aux versions de logiciels disponibles sur le support ainsi que la configuration requise pour l'exécution de ces logiciels.

Pour en savoir plus sur les logiciels et matériels pris en charge par les systèmes Dell PowerVault, voir la Matrice de support à l'adresse support.dell.com/manuals.



REMARQUE : il est recommandé d'installer toutes les dernières mises à jour disponibles sur support.dell.com.

Installation du logiciel MD Storage

Le programme d'installation du logiciel de stockage PowerVault MD32xx Series offre des fonctions comprenant le logiciel de base et les produits de fournisseurs. La fonction du logiciel de base inclut l'agent de stockage basé sur l'hôte, le pilote MPP et l'application MD Storage Manager utilisée pour configurer, gérer et surveiller la solution de matrice de stockage.

Les produits de fournisseurs incluent les produits pour Microsoft VDS (Virtual Disk Service) et le cadre Microsoft VSS (Volume Shadow-Copy Service).



REMARQUE : pour en savoir plus sur les opérateurs Microsoft VDS et Microsoft VSS, voir le Manuel du propriétaire.



REMARQUE : pour installer le logiciel sur un système Windows, vous devez disposer de privilèges administrateur.

Le support de ressources PowerVault MD32xx Series offre les méthodes d'installation suivantes :

- Installation à base GUI (recommandée) : le programme d'installation présente une interface graphique accompagnée d'assistants, qui permet de personnaliser les composants à installer.
- Installation silencieuse : cette procédure d'installation est particulièrement utile pour les utilisateurs qui souhaitent créer des installations scriptées.

Installation graphique (recommandée)

Pour effectuer une installation graphique :

- 1 Avant d'installer tout nouvel élément logiciel, fermez tous les autres programmes.
- 2 Insérez le support de ressources.
- 3 Sélectionnez **Installer le logiciel de stockage MD32xx**.



REMARQUE : si la version minimale (Core) de Windows Server fonctionne sur le serveur hôte ou si le programme de lancement ne démarre pas automatiquement, naviguez jusqu'à la racine du support et exécutez **md_launcher.exe** pour Windows.

- 4 Installez le logiciel MD Storage. Sélectionnez l'une des options d'installation suivantes :
 - Full (Complète) : ce progiciel installe le logiciel noyau, les fournisseurs et les utilitaires. Il comprend l'agent de stockage hôte requis, un pilote multivoies, MD Storage Manager, les fournisseurs et des utilitaires facultatifs.
 - Host Only (Hôte uniquement) : ce progiciel comprend l'agent de contexte hôte, des pilotes multivoies et des utilitaires facultatifs nécessaires à la configuration de l'hôte.
 - Management Station (Station de gestion) : ce progiciel comprend MD Storage Manager, les fournisseurs et des utilitaires facultatifs.
 - Custom (Personnalisée) : cette option vous permet de sélectionner des composants particuliers.
- 5 Redémarrez chaque serveur hôte.

Installation silencieuse

Cette option permet d'installer le logiciel sans surveillance. Pour exécuter l'installation silencieuse sur un système Windows, suivez les étapes ci-dessous :

- 1 Pour lancer l'installation en conservant toutes les options par défaut, naviguez jusqu'au dossier Windows du support de ressources et exécutez la commande suivante :

```
md32xx_install -i silent
```

- 2 Pour indiquer les fonctions à installer silencieusement, modifiez le fichier **custom_silent.properties** situé dans le même répertoire et copiez-le à un emplacement inscriptible sur le serveur hôte. Ce fichier contient la liste des fonctions prises en charge et leur description. Pour utiliser le fichier **custom_silent.properties** modifié, exécutez la commande :

```
md32xx_install -f
```

```
C:\path\to\custom_silent.properties
```

Tâches de post-installation

Avant d'utiliser la matrice de stockage PowerVault MD32xx Series pour la première fois, vous devez exécuter certaines tâches de configuration initiales, dans l'ordre indiqué ci-dessous. Ces tâches s'effectuent à l'aide du logiciel MDSM (Modular Disk Storage Manager).

Pour réaliser les tâches de post-installation :

- 1 Si vous utilisez la gestion hors bande, configurez chaque module de contrôleur RAID pour le réseau (notamment l'adresse IP, le masque de sous-réseau et la passerelle).



REMARQUE : la configuration du réseau peut être définie à l'aide d'un serveur DHCP.

- 2 Lancez MDSM.
 - Sur les systèmes d'exploitation Microsoft Windows, cliquez sur **Démarrer** → **Programmes** → **Dell** → **MD Storage Manager** → **Client Modular Disk Storage Manager**.

- 3 Dans la fenêtre **Enterprise Management Window** (Fenêtre de gestion d'entreprise) (EMW), cliquez sur **Setup**→ **Add Storage Array** (Configurer→ Ajouter une matrice de stockage), puis lancez la détection automatique des systèmes.



REMARQUE : seules les matrices de stockage configurées avec une adresse IP sur le même sous-réseau que les stations de gestion seront détectées.



REMARQUE : le processus de détection peut prendre plusieurs minutes. Fermer la fenêtre d'état de la détection automatique avant ce point arrête le processus de détection.

Une fois la détection terminée, un écran de confirmation apparaît.

- 4 Cliquez sur **Close** (Fermer) pour fermer l'écran.

Vérification de la détection des matrices de stockage

L'option Détection automatique permet de détecter automatiquement les matrices intrabandes et hors bande, puis de les ajouter au domaine de gestion. Si les connexions intrabandes ou hors bande affichées dans la page de résumé sont inexactes, effectuez les opérations suivantes :

Pour vérifier la détection des matrices de stockage :

- 1 Vérifiez qu'il n'existe aucune anomalie au niveau du matériel et des connexions. Pour en savoir plus sur les procédures de dépannage des problèmes d'interface, voir le *Manuel du propriétaire*.
- 2 Vérifiez que la matrice fait partie du sous-réseau local. Si ce n'est pas le cas, cliquez sur le lien **New** (Nouveau) pour l'ajouter manuellement.
- 3 Vérifiez que chaque matrice de stockage est à l'état **Optimal**. Si une matrice affiche l'état **Unresponsive** (Aucune réponse), effectuez l'une des étapes suivantes :
 - a Pour supprimer la matrice du domaine de gestion, sélectionnez-la et cliquez sur le lien **Remove** (Supprimer).
 - b Pour ajouter une matrice, cliquez sur le lien **New** (Nouveau) puis sur **OK**.
- 4 Si la matrice affiche toujours l'état **Unresponsive** (Aucune réponse), contactez Dell.

Tâches de configuration initiales

Pour effectuer les tâches de configuration initiales :

- 1 Le nom de la première matrice de stockage détectée apparaît dans l'onglet Périphériques de la fenêtre EMW. Pour afficher la liste de toutes les matrices de stockage qui se trouvent sur le réseau local, développez l'onglet des matrices de stockage détectées du volet des périphériques de la fenêtre EMW.
- 2 Le nom par défaut d'une matrice de stockage MD32xx nouvellement installée est **Unnamed** (Sans nom). Si un autre nom apparaît dans MD Storage Manager, cliquez sur la flèche vers le bas en regard du nom et sélectionnez **Unnamed** (Sans nom) dans la liste déroulante.
- 3 Double-cliquez sur la matrice détectée pour lancer la fenêtre de gestion des matrices et apporter des modifications à la configuration de la matrice.
- 4 Cliquez sur **Perform Initial Setup Tasks** (Exécuter les tâches de configuration initiale) pour afficher la description et des liens pointant vers les autres tâches de post-installation à effectuer. La matrice est maintenant prête à être configurée.



REMARQUE : avant de configurer la matrice de stockage, observez les icônes d'état figurant dans le volet Device (Périphériques) pour vérifier que les châssis installés dans la matrice de stockage sont bien en état Optimal. Pour plus d'informations, consultez le *Manuel du propriétaire* associé à la matrice, à l'adresse support.dell.com/manuals.

Activation des fonctions Premium (en option)

Si vous avez commandé des fonctions premium, suivez les instructions de la Carte des fonctions premium pour installer les fonctions supplémentaires.

Configuration d'un cluster iSCSI pour les châssis de stockage Dell PowerVault

⚠ AVERTISSEMENT : avant d'exécuter les opérations décrites dans cette section, lisez les consignes de sécurité fournies avec votre système. Pour plus d'informations sur les meilleures pratiques, consultez le site dell.com/regulatory_compliance.

La présente section présente les informations et les procédures permettant de configurer votre système Dell PowerEdge et les châssis de stockage PowerVault MD32xxi et MD12xx pour un environnement Oracle RAC (Real Application Cluster).

Vérifiez les connexions matérielles ainsi que les configurations logicielles et matérielles à l'aide de la section relative aux configurations prises en charge du document *Dell PowerVault MD32xxi Support Matrix* (Matrice de support), disponible à l'adresse support.dell.com/manuals.

Tableau 4-1. Interconnexions de composants matériels iSCSI

Composant de cluster	Connexions
Nœud du système PowerEdge	<ul style="list-style-type: none"> • Un câble CAT 5e/6 reliant la carte réseau publique au réseau local (LAN) • Un câble CAT 5e/6 reliant la carte du réseau Gigabit privé au commutateur Ethernet Gigabit (réseau privé) • Un câble CAT 5e/6 reliant la carte réseau Gigabit privée redondante au commutateur Ethernet Gigabit redondant (réseau privé) • Un câble CAT 5e/6 reliant la carte réseau Gigabit iSCSI au commutateur Ethernet Gigabit (réseau iSCSI)

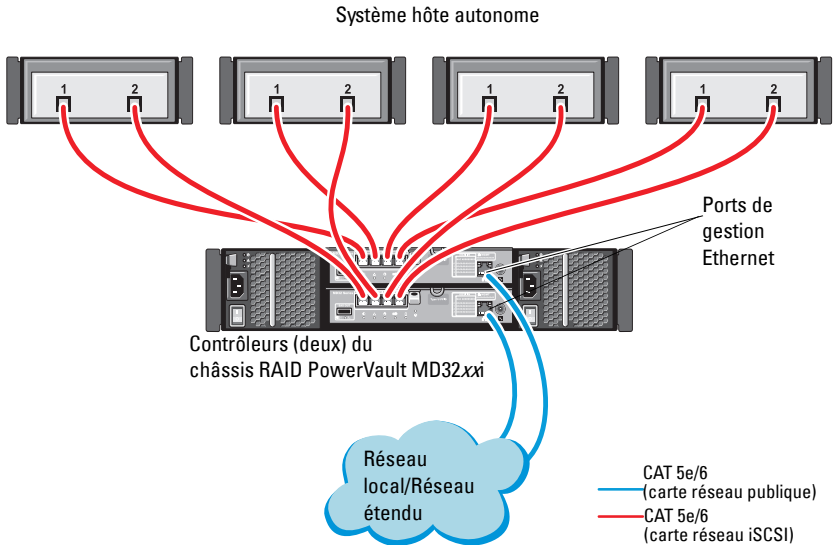
Tableau 4-1. Interconnexions de composants matériels iSCSI (suite)

Composant de cluster	Connexions
Systeme de stockage PowerVault MD30xxi	<ul style="list-style-type: none">• Deux cables CAT 5e/6 connectes au reseau local (un a partir de chaque processeur de stockage) pour l'interface de gestion• Deux cables CAT 5e/6 par processeur de stockage pour l'interconnexion iSCSI <p>REMARQUE : pour des informations supplementaires sur le chassis de stockage PowerVault MD32xxi, voir la documentation connexe a l'adresse support.dell.com/manuals.</p>
Chassis d'extension de stockage PowerVault MD12xx (en option)	Autant de connexions par cables SAS que necessaire pour le chassis d'extension PowerVault MD12xx

Configuration du matériel

Les clusters iSCSI à connexion directe sont limités à quatre nœuds.

Figure 4-1. Câblage de clusters iSCSI à connexion directe



Pour configurer les nœuds dans un environnement à connexion directe, voir la figure 4-1.

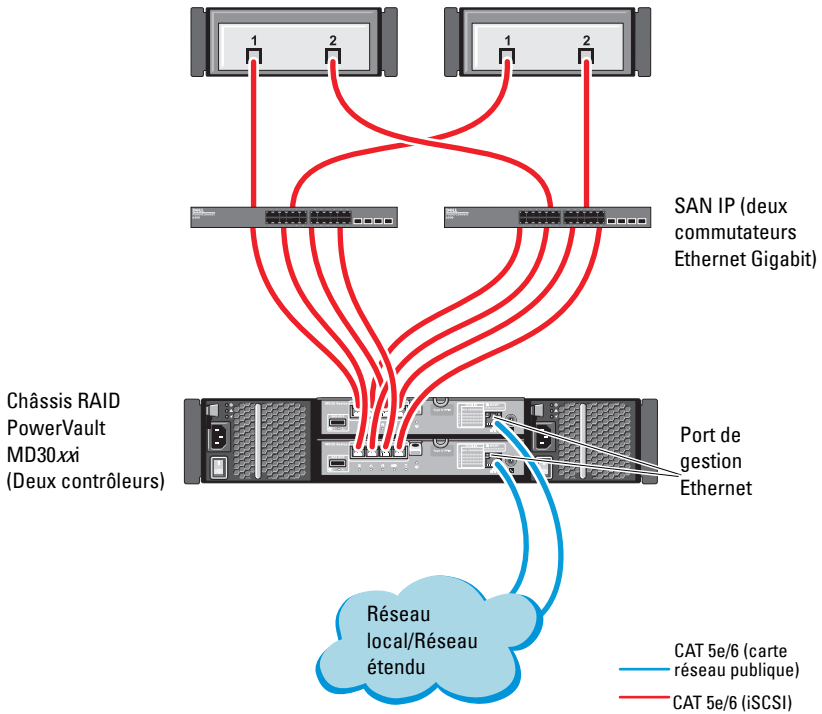
- 1 Installez un câble CAT 5e/6 entre un port (adaptateur HBA iSCSI ou carte réseau) du nœud 1 et le port **In-0** du contrôleur RAID 0 du châssis de stockage PowerVault MD32xxi.
- 2 Installez un câble CAT 5e/6 entre l'autre port (adaptateur HBA iSCSI ou carte réseau) du nœud 1 et le port **In-0** du contrôleur RAID 1 du châssis de stockage PowerVault MD32xxi.
- 3 Installez un câble CAT 5e/6 entre un port (adaptateur HBA iSCSI ou carte réseau) du nœud 2 et le port **In-1** du contrôleur RAID 0 du châssis de stockage PowerVault MD32xxi.
- 4 Installez un câble CAT 5e/6 entre l'autre port (adaptateur HBA iSCSI ou carte réseau) du nœud 2 et le port **In-1** du contrôleur RAID 1 du châssis de stockage PowerVault MD32xxi.
- 5 Répétez la procédure de l'étape 1 à l'étape 4 pour les nœuds 3 et 4 afin d'effectuer la connexion aux ports In-2 et In-3 des contrôleurs RAID 0 et 1.
- 6 Le cas échéant, connectez deux câbles SAS entre les deux ports de sortie (**Out**) du châssis de stockage PowerVault MD32xxi et les deux ports d'entrée (**In**) du premier châssis d'extension PowerVault MD12xx.
- 7 Le cas échéant, connectez deux câbles SAS entre les deux ports de sortie (**Out**) du châssis de stockage PowerVault MD12xx et les ports d'entrée (**In**) du second châssis d'extension MD12xx.



REMARQUE : pour des informations supplémentaires sur la configuration du châssis d'extension PowerVault MD12xx, voir la documentation relative au système de PowerVault MD32xxi à l'adresse support.dell.com/manuals.

Les clusters iSCSI avec liaison par commutateur peuvent prendre en charge jusqu'à trente-deux nœuds.

Figure 4-2. Câblage des clusters iSCSI avec liaison par commutateur



Pour configurer les nœuds dans une liaison par commutateur, voir la figure 4-2.

- 1 Installez un câble CAT 5e/6 entre un port (adaptateur HBA iSCSI ou carte réseau) du nœud 1 et le port du commutateur réseau 1.
- 2 Installez un câble CAT 5e/6 entre un port (adaptateur HBA iSCSI ou carte réseau) du nœud 1 et le port du commutateur réseau 2.
- 3 Installez un câble CAT 5e/6 entre un port (adaptateur HBA iSCSI ou carte réseau) du nœud 2 et le port du commutateur réseau 1.
- 4 Installez un câble CAT 5e/6 entre un port (adaptateur HBA iSCSI ou carte réseau) du nœud 2 et le port du commutateur réseau 2.
- 5 Installez deux câbles CAT 5e/6 entre le commutateur 1 et le port **In-0** du contrôleur RAID 0 sur le châssis de stockage PowerVault MD32xxi.
- 6 Installez deux câbles CAT 5e/6 entre deux autres ports du commutateur 1 et le contrôleur RAID 1 sur le châssis de stockage PowerVault MD32xxi.
- 7 Installez deux câbles CAT 5e/6 entre un port du commutateur 2 et le contrôleur RAID 0 sur le châssis de stockage PowerVault MD32xxi.
- 8 Installez deux câbles CAT 5e/6 entre deux autres ports du commutateur 2 et le contrôleur RAID 1 sur le châssis de stockage PowerVault MD32xxi.
- 9 Le cas échéant, connectez deux câbles SAS entre les deux ports de sortie (**Out**) du châssis de stockage PowerVault MD32xxi et les deux ports d'entrée (**In**) du premier châssis d'extension PowerVault MD12xx.
- 10 Le cas échéant, connectez deux câbles SAS entre les deux ports de sortie (**Out**) du châssis de stockage PowerVault MD32xx et les ports d'entrée (**In**) du second châssis d'extension PowerVault MD12xx.



REMARQUE : pour des informations supplémentaires sur la configuration du châssis d'extension PowerVault MD12xx, voir la documentation relative au système de stockage PowerVault MD32xxi à l'adresse support.dell.com/manuals. Il est recommandé d'utiliser un réseau distinct pour l'infrastructure de stockage iSCSI. Si ce n'est pas possible, attribuez la fonction de stockage à un VLAN (réseau local virtuel) distinct. Ainsi, des réseaux logiques indépendants sont créés au sein d'un réseau physique.

Installation des logiciels hôtes requis pour le stockage

Pour installer les logiciels hôtes requis pour le système de stockage PowerVault MD32xxi, utilisez le support *Dell PowerVault Resource* qui l'accompagne. Pour installer le logiciel MDSM (Modular Disk Storage Manager) sur le nœud principal et le logiciel multiacheminement (MPIO) sur les autres nœuds, suivez les procédures décrites dans la documentation du châssis de stockage PowerVault MD32xxi, disponible à l'adresse support.dell.com/manuals.

Vérification et mise à niveau du micrologiciel

Pour vérifier et mettre à niveau le micrologiciel :

- 1 Lancez la détection des unités de stockage à connexion directe du système hôte à l'aide du logiciel MDSM installé sur le système hôte.
- 2 Vérifiez que le micrologiciel utilisé par les composants de stockage répertoriés ci-après correspond à la version minimale requise.
 - Micrologiciel du système de stockage MD32xxi
 - Micrologiciel des châssis d'extension MD12xx



REMARQUE : pour connaître les versions minimales requises pour le micrologiciel, cliquez sur le lien **Dell Validated Components** (Composants approuvés par Dell) de la page dell.com/oracle.

Configuration d'un cluster iSCSI pour les châssis de stockage Dell PowerVault MD32xxi et MD12xx

Configuration du matériel

Pour obtenir une assistance pour la configuration ou l'installation de votre châssis d'extension PowerVault MD32xxi et PowerVault MD12xx, veuillez vous reporter à la documentation PowerVault disponible à l'adresse support.dell.com/manuals.

Installation des logiciels hôtes requis pour le stockage

Le programme d'installation du logiciel de stockage PowerVault MD32xxi Series offre des fonctions incluant le logiciel noyau, les fournisseurs et des utilitaires optionnels. La fonction de logiciel noyau inclut l'agent de stockage basé sur l'hôte, le pilote multivoies et l'application MD Storage Manager (MDSM) utilisée pour configurer, gérer et surveiller la solution de matrice de stockage. La fonction Fournisseurs comprend les fournisseurs pour le service VDS (Microsoft Virtual Disk Service) et le cadre VSS (Microsoft Volume Shadow-Copy Service). L'utilitaire de configuration MDCU est un utilitaire optionnel qui permet une approche consolidée de la configuration des ports de gestion et des ports hôtes iSCSI, et de la création de sessions pour les matrices de stockage sur disques modulaires iSCSI. Il vous est recommandé d'installer et d'utiliser l'utilitaire MDCU pour configurer l'interface iSCSI sur chaque hôte connecté à la matrice de stockage.



REMARQUE : pour en savoir plus sur les opérateurs Microsoft VDS et Microsoft VSS, voir le Manuel du propriétaire. Pour installer le logiciel sur un système d'exploitation Windows, vous devez disposer de privilèges administrateur.



REMARQUE : si le protocole de configuration dynamique d'hôte (DHCP) n'est pas utilisé, la configuration initiale de la station de gestion doit être effectuée sur le même sous-réseau physique que la matrice de stockage. En outre, pendant la configuration initiale, au moins une carte réseau doit être configurée sur le même sous-réseau IP que le port de gestion par défaut de la matrice de stockage (192.168.128.101 ou 192.168.128.102). Une fois la configuration initiale terminée, les ports de gestion sont configurés à l'aide du logiciel MDSM et l'adresse IP de la station de gestion peut être redéfinie de manière à rétablir les paramètres antérieurs.

Le support de ressources PowerVault MD32xxi Series fourni offre les méthodes d'installation suivantes :

- Installation à base GUI (recommandée) : le programme d'installation présente une interface graphique accompagnée d'assistants, qui permet de personnaliser les composants à installer.
- Installation silencieuse : cette procédure d'installation est particulièrement utile pour les utilisateurs qui souhaitent créer des installations scriptées.

Installation graphique (recommandée)

Pour effectuer une installation graphique :

- 1 Avant d'installer tout nouvel élément logiciel, fermez tous les autres programmes.
- 2 Insérez le support de ressources.
- 3 Sélectionnez Install MD32xxi Storage Software (Installer le logiciel de stockage MD32xxi).



REMARQUE : si la version minimale (Core) de Windows Server fonctionne sur le serveur hôte ou si le programme de lancement ne démarre pas automatiquement, naviguez jusqu'à la racine du support et exécutez **md_launcher.exe**.

- 4 Installez le logiciel MD Storage Manager. Sélectionnez l'une des options d'installation suivantes :
 - Full (Complète) : ce progiciel installe le logiciel noyau, les fournisseurs et les utilitaires. Il comprend l'agent de stockage hôte requis, un pilote multivoies, MD Storage Manager, les fournisseurs et des utilitaires facultatifs.
 - Host Only (Hôte uniquement) : ce progiciel comprend l'agent de contexte hôte, des pilotes multivoies et des utilitaires facultatifs nécessaires à la configuration de l'hôte.
 - Management Station (Station de gestion) : ce progiciel comprend MD Storage Manager, les fournisseurs et des utilitaires facultatifs.
 - Custom (Personnalisée) : cette option vous permet de sélectionner des composants particuliers.
- 5 Redémarrez chaque serveur hôte.

Installation silencieuse

Cette option permet d'installer le logiciel sans surveillance. Pour lancer l'installation silencieuse dans un système Windows, effectuez les étapes suivantes :

- 1 Pour lancer l'installation en conservant toutes les options par défaut, naviguez jusqu'au dossier Windows du support de ressources et exécutez la commande suivante : `md32xxi_install -i silent`
- 2 Pour indiquer les fonctions à installer silencieusement, vous devez modifier le fichier `custom_silent.properties` situé dans le même répertoire et le copier à un emplacement inscriptible du serveur d'hôte. Ce fichier contient la liste des fonctions prises en charge et leur description. Pour utiliser le fichier `custom_silent.properties` modifié, exécutez la commande :

```
md32xxi_install -f <path>/custom_silent.properties
```

Activation des fonctions Premium (en option)

Si vous avez commandé des fonctions premium, suivez les instructions de la Carte des fonctions premium pour installer les fonctions supplémentaires.

Configuration d'un cluster iSCSI pour le système de stockage Dell|EqualLogic PS Series



AVERTISSEMENT : avant d'exécuter les opérations décrites dans cette section, lisez les consignes de sécurité fournies avec votre système.

Pour plus d'informations sur les meilleures pratiques, consultez le site dell.com/regulatory_compliance.

Terminologie EqualLogic

Les matrices de stockage EqualLogic série PS sont équipées de la technologie de virtualisation du stockage. Pour mieux en comprendre le mode de fonctionnement, il est bon de connaître certains termes utilisés pour décrire ces matrices et leurs fonctions :

- **Membre** : désigne une matrice série PS unique
- **Groupe** : désigne un ensemble composé d'un ou de plusieurs membres, dont la gestion peut être centralisée ; les systèmes hôtes accèdent aux données via une adresse IP de groupe unique
- **Pool** : désigne un RAID pouvant être constituée de disques appartenant à un ou plusieurs membres
- **Volume** : désigne un LUN ou disque virtuel constituant un sous-ensemble de la capacité d'un pool

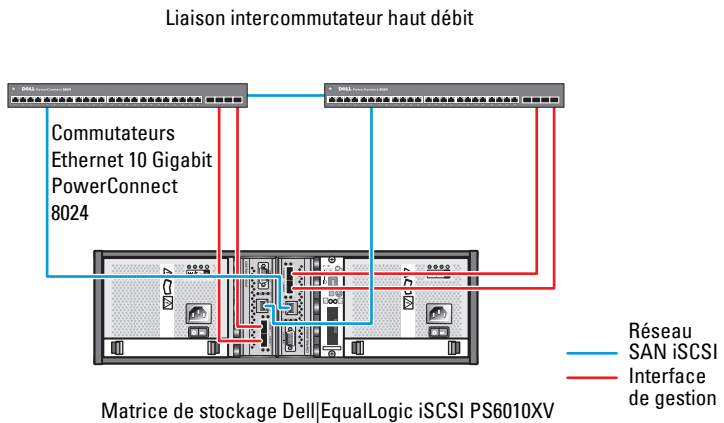
Configuration du système de stockage iSCSI EqualLogic

Les systèmes hôtes peuvent être connectés à la matrice iSCSI EqualLogic PS6010XV via un commutateur IP SAN Ethernet 10 Gigabit standard. La figure 5-1 présente la configuration réseau recommandée pour une matrice Dell EqualLogic PS6010XV à double module de contrôle. Cette configuration inclut deux commutateurs Ethernet 10 Gigabit Dell PowerConnect, destinés à optimiser la disponibilité et la bande passante du réseau. Pour plus d'informations, consultez la documentation EqualLogic à l'adresse support.equallogic.com.



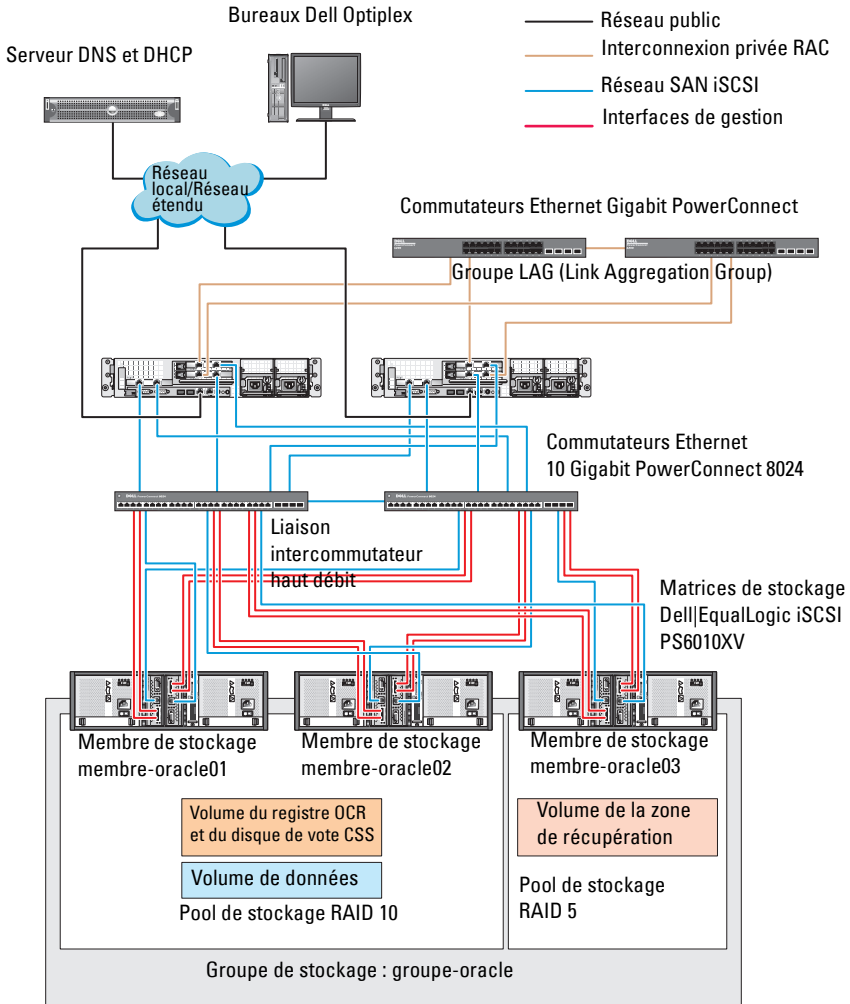
REMARQUE : il est recommandé d'utiliser deux commutateurs Ethernet 10 Gigabit. En effet, en cas de défaillance au sein d'un environnement à commutateur Ethernet unique, aucun hôte ne pourra accéder au stockage avant le remplacement du commutateur défaillant et la restauration de la configuration. Ce type de configuration doit comporter plusieurs ports à agrégation de liaisons assurant la connexion intercommutateur (ou faisceau). Par ailleurs, il est recommandé de connecter, à partir de chaque module de contrôle, une interface Gigabit à l'un des commutateurs Ethernet et les deux autres interfaces Gigabit à l'autre commutateur Ethernet.

Figure 5-1. Configuration réseau recommandée



La figure 5-2 présente l'architecture d'une configuration Oracle RAC (Real Application Cluster) fictive à trois matrices Dell | EqualLogic PS6010XV. Les matrices de stockage Dell | EqualLogic PS6010XV fournissent la capacité de stockage physique allouée à la base de données RAC. Le groupe `groupe_oracle` est formé de trois membres Dell | EqualLogic PS6010XV : `membre-oracle01`, `membre-oracle02` et `membre-oracle03`. Lorsqu'un membre est initialisé, il peut être configuré avec un niveau RAID 10, 5 ou 50.

Figure 5-2. Configuration d'un cluster Oracle RAC fictif à trois matrices PS6010XV



REMARQUE : pour plus d'informations sur l'initialisation d'une matrice EqualLogic, voir le *Dell EqualLogic User's Guide* (Guide d'utilisation de Dell EqualLogic) sur support.dell.com/manuals.

Un groupe de stockage EqualLogic série PS peut être divisé en plusieurs niveaux ou pools. Le stockage à plusieurs niveaux offre aux administrateurs la possibilité de mieux contrôler l'allocation des ressources de disque. Un membre ne peut être attribué qu'à un seul pool à la fois. On peut facilement affecter un membre à un pool ou le déplacer d'un pool à un autre sans aucune incidence sur la disponibilité des données. Les pools peuvent être organisés en fonction de différents critères (types ou vitesses de disque, niveaux RAID, types d'application).

La figure 5-2 présente des pools organisés par niveaux RAID des membres :

- Un pool RAID 10 se compose des membres de niveau RAID 10.
- Un pool RAID 5 se compose des membres de niveau RAID 10.

Création des volumes

Avant d'effectuer le stockage des données, configurez les disques physiques de la matrice de stockage EqualLogic PS6010XV en composants utilisables, appelés volumes. Un volume représente une portion du pool de stockage avec une taille spécifique, un contrôle d'accès et autres attributs. Il peut être réparti entre plusieurs disques et membres d'un groupe. Un volume est considéré sur le réseau comme une cible iSCSI. Chaque volume est affecté à un pool et peut être facilement déplacé d'un pool à un autre, sans aucune incidence sur la disponibilité des données. En outre, en fonction de la charge de travail totale supportée par les ressources matérielles de stockage d'un pool, le placement des données et l'équilibrage de la charge sont effectués de manière automatique.

Le tableau 5-1 présente un exemple de configuration de volume.

Tableau 5-1. Configuration de volumes pour le cluster Oracle RAC

Nombre de volumes	Taille minimale	RAID	Nombre de partitions	Utilisé pour	Mappage du système d'exploitation
Trois	1 024 Mo	10	Un	Disque de vote, registre du cluster Oracle (OCR)	Groupe de disques ASM pour servir de disque OCR et de disque de vote
Un	Supérieure à la taille de la base de données	10	Un	Données	Groupe de disques ASM GDBDD
Un	Au moins deux fois la taille du ou des volumes de la deuxième zone	5	Un	Zone de récupération flash	Groupe de disques ASM GDFLASHBACK
Un (facultatif)	10 Go	10	Un	Accueil de la BD partagée	Groupe de disques ASM pour l'accueil de la BD partagée

Créez des volumes dans la matrice Dell|EqualLogic PS6010XV et une liste d'accès permettant à toutes les interfaces réseau iSCSI hôtes d'accéder à ceux-ci. Par exemple, les volumes suivants ont été créés :

- mdi-ocr
- mdi-data1
- mdi-fra1

Configuration des réseaux iSCSI



REMARQUE : pour des performances optimales, il est recommandé de configurer les interfaces réseau des systèmes hôtes de telle sorte que le trafic iSCSI utilise les paramètres Flow Control (Contrôle de flux) et Jumbo Frame (Trame Jumbo).





Pour définir le contrôle de flux et la trame Jumbo, effectuez les opérations suivantes :

- 1 Cliquez sur **Démarrer** → **Rechercher des programmes et fichiers** et tapez `view network connections` (Afficher les connexions réseau).
- 2 Dans les résultats de la recherche, cliquez sur **Afficher les connexions réseau**.
- 3 Sélectionnez l'**interface réseau iSCSI** et cliquez avec le bouton droit sur **Propriétés**.
- 4 Cliquez sur **Configurer**.
- 5 Cliquez sur **Avancé**.
- 6 Sélectionnez **Jumbo Packet** et définissez sa valeur sur 9 014 octets.
- 7 Sélectionnez **Options de performances**, puis cliquez sur **Propriétés**.
La fenêtre correspondante s'affiche.
- 8 Sélectionnez **Flow Control (Contrôle de flux)** et attribuez-lui la valeur **Rx & Tx Enabled** (Rx et Tx activés).
- 9 Répétez la procédure de l'étape 3 à l'étape 8 pour toutes les interfaces réseau intervenant dans le trafic iSCSI.

Configuration des paramètres d'accès des systèmes hôtes aux volumes

Installation et configuration du kit Host Integration Tool (HIT) Dell EqualLogic

- 1 Téléchargez le dernier kit HIT sur votre serveur de base de données.
- 2 Double-cliquez sur `setup64.exe` pour ouvrir la fenêtre d'installation.
- 3 Dans la fenêtre **Welcome to the Host Integration Tools 3.5.1 Installation Program** (Bienvenue dans le programme d'installation 3.5.1 des outils d'intégration des systèmes hôtes), cliquez sur **Next** (Suivant).
- 4 Dans la fenêtre **License Agreements** (Contrats de licence), sélectionnez **I accept the terms of all the license agreements** (J'accepte toutes les conditions du contrat de licence) et cliquez sur **Next** (Suivant).

- 5 Dans la fenêtre **Installation Type** (Type d'installation), sélectionnez **Typical** (Standard) et cliquez sur **Next** (Suivant).
 **REMARQUE** : si la fenêtre **Microsoft iSCSI Initiator service not running** (Le service Microsoft iSCSI Initiator ne s'exécute pas) apparaît, cliquez sur **No** (Non).
- 6 Dans la fenêtre **Ready to install the components** (Prêt pour l'installation des composants), cliquez sur **Install** (Installer).
Les fenêtres **Installation Status** (État de l'installation) et **Software Update Installation Wizard** (Assistant d'installation de la mise à jour) s'affichent.
 **REMARQUE** : si la fenêtre **Microsoft Multipath I/O feature not detected** (Fonction Microsoft Multipath I/O non détectée) apparaît, cliquez sur **Yes** (Oui) pour installer automatiquement MS Multipath I/O.
 **REMARQUE** : si la fenêtre **Microsoft iSCSI Initiator service not running** (Le service Microsoft iSCSI Initiator ne s'exécute pas) apparaît, cliquez sur **Yes** (Oui).
 **REMARQUE** : si la fenêtre **iSCSI Initiator Properties** (Propriétés de l'initiateur iSCSI) apparaît, cliquez sur **Cancel** (Annuler). (Pour en savoir plus sur la configuration iSCSI, voir « Configuration de l'initiateur Microsoft iSCSI », à la page 161.)
- 7 Dans la fenêtre **Installation Complete** (Installation terminée), sélectionnez **Launch Remote Setup Wizard** (Lancer l'assistant de configuration à distance) et cliquez sur **Finish** (Terminer).
- 8 Dans la fenêtre **System Restart Required** (Redémarrage système requis), sélectionnez **Yes, I want to restart my computer now** (Oui, je veux redémarrer mon ordinateur maintenant), puis cliquez sur **OK**.
Au redémarrage, la fenêtre **Remote Setup Wizard** (Assistant de configuration à distance) s'affiche.
- 9 Sélectionnez **Configure MPIO settings for this computer** (Configurer les paramètres MPIO pour cet ordinateur), puis cliquez sur **Next** (Suivant).
- 10 Déplacez les sous-réseaux du réseau iSCSI vers la zone **Subnets included for MPIO** (Sous-réseaux inclus pour MPIO).
- 11 Déplacez tous les autres sous-réseaux faisant partie du même réseau vers la zone **Subnets excluded from MPIO** (Sous-réseaux exclus de MPIO).



REMARQUE : si vous ne visualisez pas tous vos sous-réseaux, vérifiez que le service Microsoft iSCSI Initiator fonctionne. Vous devrez peut-être redémarrer l'assistant **EqualLogic Remote Setup Wizard** après qu'iSCSI Initiator démarre.

12 Cliquez sur **Finish** (Terminer).



REMARQUE : il est recommandé d'attribuer au paramètre Load Balancing (Équilibrage de charge) la valeur **Least Queue Depth** (Moindre profondeur de file d'attente).

13 Répétez la procédure de l'étape 1 à l'étape 9 pour tous les autres systèmes hôtes du cluster.

Configuration de l'initiateur Microsoft iSCSI

1 Cliquez sur **Démarrer** et tapez `iSCSI Initiator` dans la zone de recherche. Cliquez sur **iSCSI Initiator** dans la liste de résultats.

2 Dans l'onglet **Discovery** (Découverte) de la fenêtre **iSCSI Initiator Properties** (Propriétés de l'initiateur iSCSI), l'adresse IP du groupe EqualLogic devrait déjà avoir été remplie par le kit HIT.

3 Si l'adresse IP du groupe n'existe pas dans l'onglet **Discovery**, cliquez sur **Discover Portal**.

a Tapez l'adresse IP du groupe EqualLogic dans la zone **IP Address or DNS name** (Adresse IP ou Nom DNS).

b Cliquez sur **Advanced** (Avancé).

c Dans la fenêtre **Advanced Settings** (Paramètres avancés), sélectionnez **Microsoft iSCSI Initiator** dans le menu déroulant **Local adapter** (Adaptateur local).

d Choisissez une adresse IP pour l'initiateur iSCSI dans le menu déroulant **Source IP** (IP source).

e Si vous n'utilisez pas le protocole CHAP pour l'authentification de volume, passez directement à l'étape i ; dans le cas contraire, vous pouvez continuer.

f Sélectionnez **Enable CHAP log on** (Activer la session CHAP).

g Entrez le nom d'utilisateur CHAP (défini dans le stockage EqualLogic) dans la zone **User name** (Nom d'utilisateur).

h Entrez le mot de passe CHAP (défini dans le stockage EqualLogic) dans la zone **Target secret** (Secret de la cible).




REMARQUE : le mot de passe CHAP doit comporter au moins 12 caractères.

i Cliquez sur **OK**.

- 4 Dans l'onglet **Targets** (Cibles) de la fenêtre **iSCSI Initiator Properties** (Propriétés de l'initiateur iSCSI), cliquez sur un volume créé pour la base de données Oracle puis sur **Connect** (Se connecter).
- 5 Dans la fenêtre **Connect to Target** (Connexion à la cible), sélectionnez les deux options **Add this connection to the list of Favorite Targets** (Ajouter cette connexion à la liste des cibles favorites) et **Enable multi-path** (Activer le multiacheminement), puis cliquez sur **Advanced** (Avancé).
- 6 Dans l'onglet **General** (Général) de la fenêtre **Advanced Settings** (Paramètres avancés), procédez aux configurations suivantes :
 - a Dans le menu déroulant **Local Adapter** (Adaptateur local), sélectionnez **Microsoft iSCSI Initiator**.
 - b Choisissez une **adresse IP pour l'initiateur iSCSI** dans le menu déroulant **Source IP** (IP source).
 - c Dans le menu déroulant **Target Portal** (Portail cible), sélectionnez **EqualLogic group IP address** (Adresse IP du groupe EqualLogic).
 - d Sélectionnez **CHAP logon information** (Informations d'ouverture de session CHAP).
 - e Entrez le nom d'utilisateur CHAP (défini dans le stockage EqualLogic) dans la zone **User name** (Nom d'utilisateur).
 - f Entrez le mot de passe CHAP (défini dans le stockage EqualLogic) dans la zone **Target secret** (Secret de la cible).
 - g Cliquez sur **OK**.
- 7 Dans la fenêtre **Connect to Target** (Se connecter à la cible), cliquez sur **OK**.
- 8 Dans l'onglet **Targets** (Cibles) de la fenêtre **iSCSI Initiator Properties** (Propriétés de l'initiateur iSCSI), l'état du volume auquel vous êtes connecté devrait indiquer **Connected** (Connecté).
- 9 Répétez la procédure de l'étape 3 à l'étape 8 pour vous connecter au même volume pour chaque adresse IP de l'initiateur iSCSI.
- 10 Répétez la procédure de l'étape 3 à l'étape 9 pour vous connecter à tous les autres volumes créés pour la base de données.
- 11 Répétez la procédure de l'étape 1 à l'étape 9 sur tous les autres hôtes du cluster.


Configuration du stockage de la base de données sur l'hôte

 **AVERTISSEMENT** : avant d'exécuter les opérations décrites dans cette section, lisez les consignes de sécurité fournies avec votre système. Pour plus d'informations sur les meilleures pratiques, consultez le site dell.com/regulatory_compliance.

Oracle Real Application Clusters (RAC) nécessite une série ordonnée de procédures. Les sections suivantes expliquent comment vérifier, régler et configurer les disques de stockage pour le système de stockage SAS à connexion directe ou iSCSI sur un hôte.


Vérification et identification des disques de stockage

Lors de la configuration des clusters, créez des partitions sur votre système de stockage iSCSI ou SAS à connexion directe. Pour que vous puissiez créer les partitions, tous les nœuds doivent détecter les périphériques de stockage externes.

 **REMARQUE** : la présente procédure explique comment déployer la base de données Oracle pour système de stockage SAS à connexion directe si le stockage SAS à connexion directe ou iSCSI (matrice de stockage Dell PowerVault MD32xx, MD32xxi ou Dell|EqualLogic) est utilisé.

Vérification de l'affectation des unités de stockage aux nœuds

- 1 Cliquez sur Démarrer → Outils d'administration → Gestionnaire de serveur.
- 2 Dans la fenêtre Gestionnaire de serveur, sélectionnez Gestionnaire de périphériques.

- 3 Développez **Stockage** et sélectionnez **Gestion des disques**.
 - a Effectuez un clic droit sur le volume puis cliquez sur **En ligne**.
 - b Effectuez un clic droit sur le volume, sélectionnez **Initialiser** puis cliquez sur **OK** dans la fenêtre d'**initialisation de disque**.
 - c Répétez la procédure de l'étape a à l'étape b pour tous les volumes.
-  **REMARQUE** : cette procédure permet de configurer les disques en tant que disques de base.
- 4 Dans la fenêtre **Gestion des disques**, vérifiez que les quatre disques apparaissent. Ces disques et les disques virtuels affectés aux nœuds du système de stockage doivent tous être d'une taille similaire.
- 5 Recommencez la procédure de l'étape 1 à l'étape 4 sur les nœuds restants.

Préparation des disques pour Oracle Clusterware, la base de données et la sauvegarde

Cette section explique comment créer des lecteurs logiques pour les disques suivants :

- OCR (Oracle Cluster Registry) : contient les informations de configuration du cluster.
- Disque de vote : assure l'arbitrage entre les nœuds de cluster lorsque le réseau privé ou le stockage connecté n'est pas disponible pour un ou plusieurs nœuds.
- Disques de données et de sauvegarde : fournit des zones de stockage pour la création de la base de données (disque de données) et pour la sauvegarde et la consignation (disque de sauvegarde).

Pendant la configuration du cluster décrite dans ce document, vérifiez que les nœuds de cluster peuvent détecter les disques logiques créés dans le système de stockage connecté, lorsque vous créez les partitions sur stockage partagé.

Afin de préparer les disques pour Oracle Clusterware, identifiez le disque OCR (registre du cluster Oracle) ainsi que les disques de vote, de données et de la zone de récupération flash. Après avoir identifié les disques, effectuez les opérations suivantes sur le nœud 1 :

Activation de l'option Automount sur les disques partagés

- 1 Sur le nœud 1, cliquez sur Démarrer→ Exécuter.
- 2 Tapez `cmd` et cliquez sur OK.
- 3 À l'invite de commande, entrez `diskpart` et appuyez sur <Entrée>.
- 4 À l'invite DISKPART, entrez `automount enable` et appuyez sur <Entrée>.

Le message suivant s'affiche : Automatic mounting of new volumes enabled (Montage automatique des nouveaux volumes activé).


- 5 À l'invite DISKPART, entrez `exit` et appuyez sur <Entrée>.
- 6 Fermez l'invite de commande.
- 7 Recommencez la procédure de l'étape 1 à l'étape 5 sur chacun des nœuds restants.

Préparation du disque OCR et du disque de vote pour Clusterware, disque de base et zone de récupération flash pour le stockage de base de données à l'aide d'ASM sous Windows 2008 R2 SP1

Voici la procédure qui permet de créer des partitions étendues et des disques logiques :

- 1 Cliquez sur Démarrer→ Exécuter, tapez `cmd` et appuyez sur <Entrée> pour ouvrir une fenêtre d'invite de commande.
- 2 À l'invite, tapez `diskpart` pour ouvrir l'interface diskpart.
- 3 Tapez `list disk` ; le tableau suivant s'affiche :

Disk ###	Status	Size	Free	Dyn	GPT
Disk 0	Online	37 GB	0 MB	-	-
Disk 1	Online	2048 MB	2048 MB	-	-
Disk 2	Online	100 GB	100 GB	-	-
Disk 3	Online	200 GB	200 GB	-	-

- 4 Entrez `select disk [n° disque]` avec le numéro du disque cible.
 -  **REMARQUE** : la procédure suivante explique comment créer des partitions et des disques logiques pour un disque MBR.
- 5 Tapez `create partition extended`, puis appuyez sur <Entrée>.
- 6 Tapez `create partition logical size=<taille du volume en méga-octets>` et appuyez sur <Entrée>.
- 7 Répétez la procédure de l'étape 4 à l'étape 6 sur tous les disques identifiés pour Clusterware (disques OCR et de vote) et sur tous ceux identifiés pour le stockage de base de données (disque de base de données et zone de récupération flash).

Suppression des lettres affectées aux lecteurs

- 1 Cliquez sur **Démarrer** → **Outils d'administration** → **Gestionnaire de serveur**.
- 2 Développez **Stockage** et sélectionnez **Gestion des disques**.
- 3 Si vous trouvez des lettres affectées aux lecteurs que vous avez créés à la section « Préparation du disque OCR et du disque de vote pour Clusterware, disque de base et zone de récupération flash pour le stockage de base de données à l'aide d'ASM sous Windows 2008 R2 SP1 », à la page 165, procédez comme suit :
 - a Cliquez avec le bouton droit de la souris sur le lecteur logique et sélectionnez **Modifier la lettre de lecteur et les chemins d'accès**.
 - b Sélectionnez la lettre de lecteur appropriée et cliquez sur **Supprimer**.
 - c Dans la fenêtre de **confirmation**, cliquez sur **Oui**.
 - d Recommencez la procédure de l'étape a à l'étape c pour les lecteurs logiques restants sur la partition de stockage.

Index

A

- aide, 116
 - support Dell, 116
 - support Oracle, 116

C

- câblage
 - cluster iSCSI, 145
- carte réseau
 - affectation des ports, 117
- commutateur
 - PowerConnect, 154

L

- logiciel MPIIO, 137

M

- Modular Disk Storage Manager, 137

S

- SAS
 - configuration d'un cluster, 133, 143, 153, 163
- support de ressources
 - PowerVault MD3000, 137

T

- terme
 - groupe, 153
 - membre, 153
 - pool, 153
 - volume, 153

V

- volumes, 157

Dell PowerEdge-Systeme
Oracle Database unter
Microsoft Windows Server x64

**Speicher- und
Netzwerkhandbuch
Version 1.6**



Anmerkungen, Vorsichtshinweise und Warnungen



ANMERKUNG: Eine ANMERKUNG macht auf wichtige Informationen aufmerksam, mit denen Sie den Computer besser einsetzen können.



VORSICHTSHINWEIS: Ein VORSICHTSHINWEIS macht Sie auf potenzielle Gefahrenquellen aufmerksam, die Hardwareschäden oder Datenverlust zur Folge haben können, wenn die Anweisungen nicht befolgt werden.



WARNUNG: Durch eine WARNUNG werden Sie auf Gefahrenquellen hingewiesen, die materielle Schäden, Verletzungen oder sogar den Tod von Personen zur Folge haben können.

Irrtümer und technische Änderungen vorbehalten.

© 2011 Dell Inc. Alle Rechte vorbehalten.

Jegliche Reproduktion dieser Materialien ist ohne vorherige schriftliche Genehmigung von Dell Inc. strengstens untersagt.

Marken in diesem Text: Dell™, das DELL Logo, EqualLogic™, Optiplex™, PowerConnect™, PowerEdge™ und PowerVault™ sind Marken von Dell Inc. Broadcom™ ist eine Marke von Broadcom Corp. Intel® ist eine eingetragene Marke der Intel Corporation in den USA und anderen Ländern. Oracle® ist eine eingetragene Marke der Oracle Corporation und/oder von ihren Tochterunternehmen. Microsoft®, Windows® und Windows Server® sind entweder Marken oder eingetragene Marken der Microsoft Corporation in den USA und/oder anderen Ländern.

Alle anderen in dieser Publikation möglicherweise verwendeten Marken und Handelsbezeichnungen beziehen sich entweder auf die entsprechenden Hersteller und Firmen oder auf deren Produkte. Dell Inc. erhebt keinen Anspruch auf Markenzeichen und Handelsbezeichnungen mit Ausnahme der eigenen.

Inhalt

1	Übersicht	175
	Erforderliche Dokumentation zum Bereitstellen von Dell Oracle 11g R2 Database	175
	In diesem Dokument verwendete Terminologie	176
	Wie Sie Hilfe bekommen	176
	Dell-Support	176
	Oracle-Support	177
2	Konfiguration des Netzwerks	179
	Deaktivieren von IPv6 für die Netzwerkadapter	179
	Konfiguration von NIC-Teaming für die privaten Netzwerkadapter.	180
	Konfiguration der IP-Adressen für die öffentlichen und privaten Netzwerkadapter	183
	Anforderungen für die Auflösung der IP-Adresse und des Namens	185
	Für einen Cluster, der GNS verwendet.	185
	Für einen Cluster, der DNS verwendet.	187
	IPMI-Aktivierung	190
	Voraussetzungen für die Aktivierung von IPMI	190
	Konfiguration des verwalteten Systems	190
	Baseboard-Management-Controller- Konfiguration	191

3	Einrichten eines SAS-Clusters für Dell PowerVault-Speichergehäuse	195
	Einrichten der Hardware.	197
	Installation der hostbasierten Speichersoftware.	199
	Überprüfung und Upgrade der Firmware	199
	Installation des SAS-HBA-Adaptertreibers.	199
	Installation der hostbasierten Speichersoftware.	200
	Installieren der MD-Storage-Software.	200
	Maßnahmen nach der Installation	202
	Überprüfen der Speicherarray-Erkennung.	203
4	Einrichten eines iSCSI-Clusters für Dell PowerVault-Speichergehäuse	205
	Einrichten der Hardware.	207
	Installation der hostbasierten Software für das Speichersystem	211
	Überprüfung und Upgrade der Firmware	211
	Einrichten eines iSCSI-Clusters für Dell PowerVault MD32xxi- und MD12xx-Speichergehäuse	212
	Einrichten der Hardware	212
	Installation der hostbasierten Speichersoftware.	212

5	Einrichten eines iSCSI-Clusters für das Dell EqualLogic PS-Speichersystem	215
	EqualLogic-Terminologie	215
	Einrichten des EqualLogic iSCSI-Speichersystems	216
	Erstellen von Volumes	219
	Konfiguration von iSCSI-Netzwerken	221
	Konfigurieren des Hostzugriffs auf Volumes	221
6	Konfigurieren des Datenbankspeichers auf dem Hostsystem	225
	Überprüfen und Identifizieren der Speicherlaufwerke	225
	Überprüfen der Zuordnung zwischen dem Speichersystem und den Knoten	226
	Vorbereiten der Datenträger für Oracle Clusterware, Database und Backup	227
	Aktivieren der Automount-Option für freigegebene Datenträger	227
	Vorbereiten der OCR- und Voting-Datenträger für Clusterware, Datenbankdatenträger und Flash-Wiederherstellungsbereich für ASM-Datenspeicherung unter Windows 2008 R2 SP1	228
	Entfernen der zugewiesenen Laufwerksbuchstaben	229
	 Stichwortverzeichnis	 231

Übersicht

In diesem Dokument finden Sie eine Anleitung für das Konfigurieren der Netzwerk- und Speicheranforderungen zur Ausführung der Dell|Oracle-Datenbank auf einem System mit installiertem Betriebssystem Microsoft Windows Server 2008 R2 SP1. Die in diesem Dokument beschriebenen Verfahren gelten für Oracle Database 11g R2, ausgeführt unter Microsoft Windows Server x64. Eine Liste der von Ihrem System unterstützten Netzwerk- und Speicherkonfigurationen finden Sie unter dell.com/oracle (wählen Sie **Dell Validated Components** [von Dell geprüfte Komponenten]).

Erforderliche Dokumentation zum Bereitstellen von Dell|Oracle 11g R2 Database

Die Dokumentation zur Installation von Dell|Oracle Database umfasst neben dem *Dell PowerEdge Systems Oracle Database on Microsoft Windows Server x64 Storage and Network Guide* (Oracle Database auf Dell PowerEdge-Systemen unter Microsoft Windows Server x64 Speicher- und Netzwerkhandbuch) die folgenden Handbücher:

- *Dell PowerEdge Systems Oracle Database on Microsoft Windows Server x64-Operating System and Hardware Installation Guide* (Oracle Database auf Dell PowerEdge-Systemen unter Microsoft Windows Server x64 Installationshandbuch für Betriebssystem und Hardware) – Beschreibt die Mindestanforderungen für Hardware und Softwareversionen und liefert Informationen zur Installation und Konfiguration des Betriebssystems, zur Überprüfung der Hardware- und Softwarekonfigurationen und zum Bezug von Open-Source-Dateien.
- *Dell PowerEdge Systems Oracle Database on Microsoft Windows Server x64-Database Setup and Installation Guide* (Oracle Database auf Dell PowerEdge-Systemen unter Microsoft Windows Server x64 Datenbankeinrichtungs- und -installationsanleitung) – Enthält Anweisungen zum Installieren und Konfigurieren der Oracle-Datenbank.

- *Dell PowerEdge Systems Oracle Database on Microsoft Windows Server x64-Troubleshooting Guide* (Oracle Database auf Dell PowerEdge-Systemen unter Microsoft Windows Server x64 Fehlerbehebungshandbuch) – Beschreibt Maßnahmen zum Lösen von Problemen, die während der Installationsvorgänge in den vorangegangenen Modulen auftreten können.

In diesem Dokument verwendete Terminologie

In diesem Dokument werden die Begriffe Volume und virtueller Datenträger verwendet. Diese Begriffe sind synonym und untereinander ersetzbar. Der Begriff Volume wird im Allgemeinen in einer Umgebung mit Dell EqualLogic iSCSI-Speichersystem benutzt, während der Begriff des virtuellen Datenträgers normalerweise in einer Dell PowerVault SAS- und iSCSI-Speicherumgebung (Dell PowerVault MD3000/MD32xx/MD36xxi und Dell PowerVault MD3000i/MD32xxi mit Dell PowerVault MD1000/MD12xx Erweiterung) verwendet wird.

Wie Sie Hilfe bekommen

Dell-Support

- Ausführliche Informationen zur Verwendung des Systems finden Sie in der zusammen mit den Systemkomponenten gelieferten Dokumentation.
- Verschiedene Whitepapers, von Dell unterstützte Konfigurationen und allgemeine Informationen finden Sie unter dell.com/oracle.
- Technischen Support von Dell für Ihre Hardware und die Betriebssystemsoftware sowie aktuelle Updates für das System finden Sie unter support.dell.com.
- Weitere Informationen zum Unternehmensschulungs-Angebot von Dell finden Sie unter dell.com/training.



ANMERKUNG: Die Schulungen werden eventuell nicht an allen Standorten angeboten.

Oracle-Support

- Informationen über Schulungen für Oracle-Software und Anwendungs-Clusterware sowie Kontaktinformationen finden Sie unter oracle.com oder in der Oracle-Dokumentation.
- Technischen Support, Downloads und andere technische Informationen finden Sie unter support.oracle.com.
- Informationen zur Installation und Konfiguration von Oracle finden Sie im *Dell PowerEdge Systems Oracle Database on Microsoft Windows Server x64-Database Setup and Installation Guide* (Oracle Database auf Dell PowerEdge-Systemen unter Microsoft Windows Server x64 Datenbankeinrichtungs- und -installationsanleitung) unter support.dell.com/manuals.

Konfiguration des Netzwerks

In diesem Abschnitt finden Sie Informationen zur Konfiguration des öffentlichen und privaten Clusternetzwerks.



ANMERKUNG: Jeder Knoten benötigt eine eindeutige öffentliche und private IP-Adresse und eine weitere öffentliche IP-Adresse als virtuelle IP-Adresse für die Clientverbindungen und als Failover-Verbindung. Die virtuelle IP-Adresse muss dem gleichen Subnetz wie die öffentliche IP-Adresse angehören. Alle öffentlichen IP-Adressen einschließlich der virtuellen IP-Adresse sollten über DNS (Domain Naming Service) registriert werden. Wenn kein DNS-Server verfügbar ist, muss die Registrierung der IP-Adressen in der hosts-Datei auf den einzelnen Clusterknoten erfolgen.

Konfigurieren Sie die Schnittstellen je nach Anzahl der verfügbaren NIC-Ports wie in Tabelle 2-1 dargestellt.

Tabelle 2-1. NIC-Port-Zuordnungen

NIC-Port	Verfügbare Ports
1	Öffentliche IP, virtuelle IP und SCAN-IP (Single Client Access Name)
2	Private IP (NIC-Team)
3	Private IP (NIC-Team)

Deaktivieren von IPv6 für die Netzwerkadapter

IPv6 ist für die Grid-Infrastruktur nicht zugelassen und sollte vor Installation der Grid-Infrastruktur deaktiviert werden.

So deaktivieren Sie IPv6 auf allen Knoten:

- 1 Klicken Sie auf **Start**→**Verwaltung**→**Server-Manager**.
- 2 Erweitern Sie im Fenster **Server-Manager** den Eintrag **Diagnose**.
- 3 Klicken Sie auf **Geräte-Manager**→**Ansicht**→**Ausgeblendete Geräte anzeigen**.

Der Adapter des Microsoft-Failoverclusters und alle Tunneladapter (Microsoft ISATAP, 6to4, Teredo) sollten deaktiviert werden.

- 4 Öffnen Sie **Regedit** und sichern Sie die Registrierung.
- 5 Navigieren Sie zu **HKEY_LOCAL_MACHINE\SYSTEM\CurrentControlSet\Services\Tcpip6\Parameters**.
- 6 Doppelklicken Sie auf den Eintrag **DisabledComponents**, um ihn zu bearbeiten. Wenn kein Wert aufgeführt wird, klicken Sie auf **Bearbeiten**→**Neu**→**DWORD-Wert (32-Bit)**.
- 7 Geben Sie **DisabledComponents** ein und drücken Sie die **<Eingabetaste>**.
- 8 Geben Sie den folgenden **DWORD-Wert** ein: **0xffffffff**.
Alle IPv6-Komponenten mit Ausnahme der IPv6-Loopback-Schnittstelle werden deaktiviert.

Konfiguration von NIC-Teaming für die privaten Netzwerkadapter

- 1 Wählen Sie zwei Netzwerkadapter an Knoten 1 aus, die für das NIC-Teaming verwendet werden.
- 2 Schließen Sie jeden der beiden gewählten Netzwerkadapter über ein Ethernet-Kabel an den privaten Netzwerk-Switch an.
- 3 Wenn Knoten 1 mit Broadcom-NICs ausgestattet ist, fahren Sie mit Schritt 4 fort. Wenn Knoten 1 mit Intel-NICs ausgestattet ist, konfigurieren Sie das NIC-Teaming, indem Sie folgende Schritte durchführen:
 - a Klicken Sie auf **Start**→**Verwaltung**→**Server-Manager**.
 - b Wählen Sie im Fenster **Server-Manager** den Eintrag **Geräte-Manager**.
 - c Erweitern Sie die Registerkarte **Netzwerkadapter**.
 - d Klicken Sie mit der rechten Maustaste auf den Intel-NIC, der für das NIC-Teaming verwendet werden soll, und wählen Sie **Eigenschaften**.
 - e Klicken Sie auf die Registerkarte **Teaming**.
 - f Wählen Sie **Team with other Adapters** (Team mit anderen Adapters bilden) und danach **New Team** (Neues Team).


- g** Geben Sie einen Namen für das NIC-Team ein und klicken Sie auf **Weiter**.
 - h** Wählen Sie im Feld **Select the adapters to include in this team** (Adapter für dieses Team auswählen) die verbleibenden für das NIC-Teaming ausgewählten Netzwerkadapter und klicken Sie auf **Weiter**.
 - i** Wählen Sie im Listenfeld **Select a team mode** (Team-Modus auswählen) die Option **Adaptive Load Balancing** (Adaptiver Lastenausgleich).
 - j** Klicken Sie auf **Fertig stellen**, um das Teaming abzuschließen.
 - k** Klicken Sie im Fenster **Team Properties** (Team-Eigenschaften) auf **OK**.
 - l** Klicken Sie im Fenster **Intel NIC's Properties** (Eigenschaften von Intel-NIC) auf **OK**.
 - m** Schließen Sie das Fenster **Computerverwaltung**.
- 4** Wenn Knoten 1 mit Broadcom-NICs ausgestattet ist, konfigurieren Sie das NIC-Teaming mit den nachstehenden Schritten. Andernfalls fahren Sie mit Schritt 5 fort.
- a** Wählen Sie **Start**→**Alle Programme**→**Broadcom**→**Broadcom Advanced Control Suite 3**.
Das Fenster **Broadcom Advanced Control Suite 3** wird angezeigt.
 - b** Wählen Sie **Team Management** (Team-Verwaltung), klicken Sie mit der rechten Maustaste auf **Teams** und wählen Sie **Create a Team** (Team erstellen).
Das Fenster **Broadcom Teaming Wizard** (Broadcom Teaming-Assistent) wird angezeigt.
 - c** Klicken Sie auf **Weiter**.
 - d** Geben Sie im Feld **Enter the name for the team** (Name für Team eingeben) den Namen `privat` ein und klicken Sie auf **Weiter**.
 - e** Wählen Sie im Feld **Team Type** (Team-Typ) die Option **Smart Load Balancing (TM) and Failover (SLB)** und klicken Sie auf **Weiter**.

- f** Wählen Sie im Fenster **Assigning Team Members** (Team-Mitglieder zuweisen) im Feld **Available Adapters** (Verfügbare Adapter) die für das NIC-Teaming bestimmten Netzwerkadapter aus und fügen Sie sie zum Feld **Team Members** (Team-Mitglieder) hinzu.
Die Aufnahme dieses Adapters in ein Team führt zu einer Unterbrechung der Systemverwaltungsfunktionen.
 - g** Klicken Sie auf **Ja**, um fortzufahren.
 - h** Klicken Sie auf **Weiter**.
 - i** Wählen Sie im Fenster **Designating a Standby Member** (Standby-Mitglied festlegen) einen **NIC** oder wählen Sie die Option **Do not configure a standby member** (Kein Standby-Mitglied konfigurieren).
 - j** Wählen Sie im Fenster **Configuring Live Link** (Live-Link konfigurieren) die Option **No** (Nein) und klicken Sie auf **Weiter**.
 - k** Wenn es ein VLAN gibt, das Sie konfigurieren möchten, wählen Sie im Fenster **VLAN Support** (VLAN-Unterstützung) die Option **Add VLAN** (VLAN hinzufügen). Andernfalls wählen Sie **Skip manage VLAN** (VLAN-Verwaltung überspringen).
 - l** Klicken Sie im letzten Fenster auf **Preview** (Vorschau), um das NIC-Team und die Adapter zu überprüfen. Wählen Sie nach dem Überprüfen die Option **Commit changes to system** (Änderungen am System übernehmen) und beenden Sie den Assistenten.
 - m** Klicken Sie auf **Fertig stellen**.
 - n** Klicken Sie im Meldungsfenster auf **Ja**, um den Vorgang fortzusetzen.
 - o** Klicken Sie im Fenster **Broadcom Advanced Control Suite 3** auf **File→Exit** (Datei→Beenden).
- 5** Wiederholen Sie Schritt 4 bis Schritt 1 auf den verbleibenden Knoten.




ANMERKUNG: Es wird empfohlen, die beiden gebundenen NIC-Ports für das private Netzwerk auf getrennte PCI-Busse zu legen. Ein gebundenes Paar kann beispielsweise aus einem auf der Platine integrierten NIC und einer NIC-Erweiterungskarte bestehen.

Konfiguration der IP-Adressen für die öffentlichen und privaten Netzwerkadapter

- 1 Aktualisieren Sie den Netzwerkschnittstellennamen des Adapters, falls erforderlich. Ansonsten fahren Sie mit Schritt 2 fort.
 - a Klicken Sie an Knoten 1 auf **Start**→**Verwaltung**→**Server-Manager**→**Netzwerkverbindungen anzeigen**.
 - b Klicken Sie im Fenster **Netzwerkverbindungen** mit der rechten Maustaste auf den öffentlichen Netzwerkadapter, der umbenannt werden soll, und wählen Sie **Umbenennen**.
-  **ANMERKUNG:** Das Oracle-Datenbankinstallationsprogramm erzeugt einen Fehler und verhindert, dass Sie den Installationsvorgang abschließen, solange Sie nicht auf allen Clusterknoten identische Namen für die öffentlichen und die privaten Adapter verwenden. Es wird dringend empfohlen, bei der Konfiguration der Netzwerkadapter auf allen Knoten identische Namen für öffentliche und private Adapter zu verwenden.
- c Ändern Sie die Bezeichnung des öffentlichen Netzwerkadapters in **Öffentlich** und drücken Sie die <Eingabetaste>.
 - d Klicken Sie mit der rechten Maustaste auf das private NIC-Team, das Sie umbenennen möchten, und wählen Sie **Rename** (Umbenennen).
 - e Benennen Sie das private NIC-Team in **Privat** um und drücken Sie die <Eingabetaste>.
- 2 Konfigurieren Sie die IP-Adressen.
 - a Wählen Sie **Start**→**Verwaltung**→**Server-Manager**→**Netzwerkverbindungen anzeigen**→**Öffentlich**→**Eigenschaften**.
 - b Doppelklicken Sie auf **Internetprotokoll (TCP/IP)**.
 - c Klicken Sie auf **Folgende IP-Adresse verwenden**, geben Sie die erforderliche IP-Adresse, die Adresse des Standard-Gateways und des DNS-Servers ein und klicken Sie auf **OK**.
 - d Klicken Sie auf **OK**.
 - e Klicken Sie im Fenster **Eigenschaften** auf **Schließen**.
 - f Wiederholen Sie Schritt a bis Schritt e für das private NIC-Team.



ANMERKUNG: Für das private NIC-Team brauchen Sie weder eine Standard-Gateway-Adresse noch einen DNS-Servereintrag festzulegen.

- 3 Stellen Sie sicher, dass öffentliche und private Netzwerkadapter in der korrekten Reihenfolge aufgeführt sind, um den Zugriff durch Netzwerkdienste zu ermöglichen.
 - a Klicken Sie am **Windows Server** auf **Start**→**Programme/Dateien durchsuchen** und geben Sie im Suchfeld das Stichwort **Netzwerkverbindungen anzeigen** ein. Klicken Sie in den Suchergebnissen auf **Netzwerkverbindungen anzeigen**.
 - b Klicken Sie im Fenster **Netzwerkverbindungen** auf **Organisieren**→**Layout**→**Menüleiste**, klicken Sie danach auf **Erweitert** und wählen Sie **Erweiterte Einstellungen**.
 - c Wählen Sie die Registerkarte **Adapter und Bindungen**.
 - d Vergewissern Sie sich, dass die Netzwerkadapter in der nachstehenden Reihenfolge aufgeführt sind:
 - Öffentlich
 - Privat
 - <Weitere Netzwerkadapter>
-  **ANMERKUNG:** Um die Reihenfolge der Netzwerkadapter zu ändern, klicken Sie auf die Pfeilsymbole (Nach oben / Nach unten).
- e Erhöhen Sie die Priorität von IPv4 gegenüber IPv6.
- f Klicken Sie auf **OK**.
- g Schließen Sie das Fenster **Netzwerkverbindungen**.
- 4 Wiederholen Sie Schritt 4 bis Schritt 1 auf den verbleibenden Knoten.
- 5 Stellen Sie sicher, dass die Clusterknoten mit den öffentlichen und privaten Netzwerken kommunizieren können.
 - a Öffnen Sie ein Befehlszeilenfenster auf Knoten 1.
 - b Geben Sie Folgendes in die Befehlszeile ein:


```
ping <Öffentlicher_Hostname>
```

```
ping <Privater_Hostname>
```

Ersetzen Sie dabei <Öffentlicher_Hostname> und <Privater_Hostname> durch die Hostnamen des öffentlichen bzw. des privaten Netzwerkadapters im verbleibenden Knoten.

Wenn der Netzwerkadapter des Knotens auf ping-Befehle nicht reagiert, überprüfen Sie die Netzwerkkonfiguration und führen Sie diesen Schritt danach erneut aus.



ANMERKUNG: In Windows Server 2008 R2 SP1 ist die Windows Firewall standardmäßig aktiviert, sodass der Ping-Befehl bei statischen IP-Adressen fehlschlägt. Deaktivieren Sie die Windows Firewall, damit Sie andere Knoten über Ping abfragen können.



ANMERKUNG: Virtual Internet Protocol (VIP) wird später konfiguriert und lässt sich zu diesem Zeitpunkt nicht über ping abfragen.

- c Wiederholen Sie Schritt a bis Schritt b auf den verbleibenden Knoten.

Anforderungen für die Auflösung der IP-Adresse und des Namens

Für einen Cluster, der GNS verwendet

Für das Einrichten eines Oracle 11g R2 RAC mit Oracle Global Naming Server (GNS) gelten die folgenden Anforderungen:

- Mindestens zwei konfigurierte Schnittstellen auf jedem Knoten, eine für die private IP-Adresse und eine für die öffentliche IP-Adresse.
- Ein Domain Naming Server (DNS), der im Netzwerk ausgeführt wird, für die Auflösung der virtuellen IP-Adresse des GNS.
- Der DNS-Eintrag zum Einrichten von DNS-Lookups, um die DNS-Auflösung einer Subdomain zum Cluster zu leiten.
- Ein DHCP-Dienst, der im öffentlichen Netzwerk für den Cluster ausgeführt wird.
- Ausreichende Adressen im DHCP, um eine IP-Adresse für die virtuelle IP jedes einzelnen Knotens und drei IP-Adressen für den Cluster, die vom SCAN verwendet werden, bereitzustellen.

Tabelle 2-2 beschreibt die verschiedenen Schnittstellen, IP-Adresseinstellungen und Auflösungen in einem Cluster.

Tabelle 2-2. IP-Adresseinstellungen in einem Cluster mit GNS

Schnittstelle	Typ	Auflösung
Öffentlich	Statisch	%SystemRoot%\system32\drivers\etc\hosts
Privat	Statisch	Nicht erforderlich
Virtuelle IP des Knotens	DHCP	GNS
Virtuelle IP des GNS	Statisch	DNS
Virtuelle IP des SCAN	DHCP	GNS

Konfiguration eines DNS-Servers

So konfigurieren Sie einen DNS-Server mit GNS:

- 1 Konfiguration der virtuellen IP-Adresse des GNS auf dem DNS-Server – Erstellen Sie auf dem DNS-Server einen Eintrag zur Namensauflösung für die virtuelle IP-Adresse des GNS in den Forward-Lookupzonen.
 - a Öffnen Sie den **DNS-Manager**.
 - b Klicken Sie auf **DNS-Server**→**Forward-Lookupzonen**→**DNS-Domäne**.
 - c Klicken Sie mit der rechten Maustaste auf **DNS-Domäne** und wählen Sie **Neuer Host (A oder AAAA)**.
 - d Geben Sie im Fenster **New Host** den Namen und die IP-Adresse für die virtuelle IP-Adresse des GNS ein.
 - e Klicken Sie auf **Host hinzufügen**.
 - f Klicken Sie auf **OK**.
 - g Klicken Sie im Fenster **Neuer Host** auf **Fertig**.

Beispiel: `gns-server Host A 192.0.2.2`

Dabei ist *gns-server* die virtuelle IP-Adresse des GNS, die während der Grid-Installation angegeben wurde. Die Adresse, die Sie angeben, muss routingfähig sein und sollte im öffentlichen Bereich liegen.

Beispiel: 192.0.2.2.

- 2 Konfiguration der GNS-Subdomainedelegierung – Erstellen Sie auf dem DNS-Server einen Eintrag, um ein DNS-Lookup einzurichten, das die DNS-Auflösung einer GNS-Subdomain an den Cluster leitet. Öffnen Sie den DNS-Manager und gehen Sie wie folgt vor:
 - a Klicken Sie auf **DNS-Server**→**Bedingte Weiterleitungen**.
 - b Klicken Sie mit der rechten Maustaste auf **Bedingte Weiterleitungen** und wählen Sie **Neue Bedingte Weiterleitung**.
 - c Geben Sie im Fenster **Neue bedingte Weiterleitung** die GNS-Subdomain und die GNS-VIP-Adresse ein (die Sie während der Grid-Installation angeben müssen).
 Beispiel: clusterdomäne.subdomain.com (GNS Subdomain) 192.0.2.2 (GNS-VIP in Schritt 1 konfiguriert)
 - d Klicken Sie auf **OK**.
 - e Starten Sie den DNS-Dienst neu.

Konfiguration der Auflösung von Hostnamen

Fügen Sie in der Datei `%SystemRoot%\system32\drivers\etc\hosts` Hosteinträge hinzu. Ändern Sie auf jedem Knoten die Zeilen in der Datei `%SystemRoot%\system32\drivers\etc\hosts`, indem Sie Folgendes eingeben:

```
127.0.0.1 localhost

<Öffentliche IP-Adresse Knoten 1> <Öffentlicher
Hostname Knoten 1>

<Öffentliche IP-Adresse Knoten 2> <Öffentlicher
Hostname Knoten 2>
```

Für einen Cluster, der DNS verwendet

Für das Einrichten eines Oracle 11g R2 RAC mit Oracle DNS (ohne GNS) gelten die folgenden Anforderungen:

- 1 Mindestens zwei konfigurierte Schnittstellen auf jedem Knoten, eine für die private IP-Adresse und eine für die öffentliche IP-Adresse.
- 2 Konfigurieren Sie einen SCAN-NAME für das DNS zur Round-Robin-Auflösung an drei Adressen (empfohlen) oder auf mindestens eine Adresse. Die SCAN-Adressen müssen sich auf demselben Subnetz wie virtuelle IP-Adressen und öffentliche IP-Adressen befinden.



ANMERKUNG: Um hohe Verfügbarkeit und Skalierbarkeit zu erzielen, wird die SCAN-Konfiguration für die Verwendung der Round-Robin-Auflösung an drei IP-Adressen empfohlen. Der Name des SCAN darf nicht mit einer Ziffer anfangen. Für eine erfolgreiche Installation muss der SCAN auf mindestens eine Adresse aufgelöst werden.

Tabelle 2-3 beschreibt die verschiedenen Schnittstellen, IP-Adresseinstellungen und Auflösungen in einem Cluster.

Tabelle 2-3. IP-Adresseinstellungen in einem Cluster mit DNS

Schnittstelle	Typ	Auflösung
Öffentlich	Statisch	%SystemRoot%\system32\drivers\etc\hosts oder DNS
Privat	Statisch	Nicht erforderlich
Virtuelle IP des Knotens	Statisch	%SystemRoot%\system32\drivers\etc\hosts oder DNS
Virtuelle IP des SCAN	Statisch	DNS

Konfiguration eines DNS-Servers

So konfigurieren Sie Änderungen an einem DNS-Server für einen Oracle 11g R2-Cluster mit einem DNS (ohne GNS):

- 1 Konfigurieren Sie die SCAN-NAME-Auflösung auf dem DNS-Server.
- 2 Erstellen Sie auf dem DNS-Server einen Eintrag zur Namensauflösung für die virtuelle IP-Adresse des GNS in der Forward-Lookup-Datei.
- 3 Öffnen Sie den DNS-Manager.
- 4 Klicken Sie auf **DNS-Server** → **Forward-Lookupzonen** → **DNS-Domäne**.
- 5 Klicken Sie mit der rechten Maustaste auf DNS-Domäne und wählen Sie **Neuer Host (A oder AAAA)**.
- 6 Geben Sie im Fenster **Neuer Host** den Namen und die IP-Adresse für die virtuelle IP-Adresse des GNS ein.
- 7 Klicken Sie auf **Host hinzufügen**.
- 8 Klicken Sie auf **OK**.
- 9 Fügen Sie drei virtuelle IPs / Hosts mit demselben SCAN-Namen hinzu.

- 10** Klicken Sie im Fenster **Neuer Host** auf **Fertig**.
Beispiel:

```
scancluster Host A 192.0.2.1
```

```
scancluster Host A 192.0.2.2
```

```
scancluster Host A 192.0.2.3
```

Dabei ist *scancluster* der SCAN-NAME, der während der Grid-Installation angegeben wurde.



ANMERKUNG: Die SCAN-IP-Adresse muss routingfähig sein und im öffentlichen Bereich liegen.

Konfiguration der Auflösung von Hostnamen

So konfigurieren Sie die Änderungen, die an den Clusterknoten für die Namensauflösung erforderlich sind:

- 1** Fügen Sie in der Datei `%SystemRoot%\system32\drivers\etc\hosts` Hosteinträge hinzu.
- 2** Ändern Sie auf jedem Knoten die Zeilen in der Datei `%SystemRoot%\system32\drivers\etc\hosts`, indem Sie Folgendes eingeben:

```
127.0.0.1 localhost
```

```
<Öffentliche IP-Adresse Knoten 1> <Öffentlicher  
Hostname Knoten 1>
```

```
<Öffentliche IP-Adresse Knoten 2> <Öffentlicher  
Hostname Knoten 2>
```

```
<Virtuelle IP Knoten1> <Virtueller Hostname  
Knoten1>
```

```
<Virtuelle IP Knoten2> <Virtueller Hostname  
Knoten2>
```

IPMI-Aktivierung

Intelligent Platform Management Interface (IPMI) stellt gemeinsame Schnittstellen für die Hardware und Firmware bereit, die Systemadministratoren zur Überwachung der Systemintegrität und zur Systemverwaltung verwenden können. Mit Oracle I1g R2 kann Oracle Clusterware IPMI integrieren, um die fehlerabhängige Abschaltung einzelner Knoten zu unterstützen und die Clusterintegrität zu gewährleisten.

Voraussetzungen für die Aktivierung von IPMI

Jeder Clusterknoten benötigt einen Baseboard Management Controller (BMC), dessen Firmware mit IPMI Version 1.5 oder höher kompatibel ist und der remote über das LAN gesteuert werden kann. Verwenden Sie das Dell OpenManage Utility-Medium, um die BMC-DRAC-Dienstprogramme zu installieren.



ANMERKUNG: Die Verwendung eines dedizierten DRAC-Ports für IPMI wird empfohlen.

Konfiguration des verwalteten Systems

Bevor Sie das **BMC-Verwaltungsdienstprogramm** verwenden, müssen Sie abhängig von der auszuführenden Funktionalität bestimmte Elemente konfigurieren, wie z. B. die erforderlichen Einstellungen für das System-BIOS, das Netzwerk, den Verschlüsselungsschlüssel der Intelligenten Plattform-Verwaltungsschnittstelle (IPMI) und die seriellen Verbindungen, um den Zugriff auf den BMC zu ermöglichen.

Um das **BMC-Verwaltungsdienstprogramm** nutzen zu können, benötigen Sie eine funktionsfähige Verbindung zwischen der Verwaltungsstation und dem Port des Ziel-BMC. In diesem Abschnitt werden die grundlegenden Vorgänge beschrieben, die ausgeführt werden müssen, um mit dem **BMC-Verwaltungsdienstprogramm** auf den BMC zugreifen und diesen verwalten zu können.

Baseboard-Management-Controller-Konfiguration

Sie können die grundlegende BMC-Konfiguration mit dem Remotezugriffs-Konfigurationsdienstprogramm während des Systemstarts festlegen.

```
143.166.131.171 - Avocent Session Viewer
Remote Access Configuration Utility
Copyright 2006 Dell Inc. All Rights Reserved 0.10

Baseboard Management Controller Revision          0.24
Remote Access Controller Revision (Build 05.11.09) 1.0
Primary Backplane Firmware Revision              0.11

-----
IPMI Over LAN ..... On
NIC Selection ..... Dedicated
LAN Parameters ..... <ENTER>
Advanced LAN Parameters ..... <ENTER>
Virtual Media Configuration ..... <ENTER>
LAN User Configuration ..... <ENTER>
Reset To Default ..... <ENTER>
System Event Log Menu ..... <ENTER>
```

Aufruf des Remotezugriffs-Konfigurationsdienstprogramms

- 1 Schalten Sie das System ein oder starten Sie es neu.
- 2 Drücken Sie <Strg><E>, wenn Sie nach dem POST dazu aufgefordert werden.

Wenn das Betriebssystem zu laden beginnt, bevor Sie <Strg><E> gedrückt haben, lassen Sie das System vollständig hochfahren. Starten Sie dann das System neu, und versuchen Sie es erneut.

Optionen des Remotezugriffs-Konfigurationshilfsprogramms

In Tabelle 2-4 werden die Optionen des **Remotezugriffs-Konfigurationsdienstprogramms** aufgelistet. Außerdem wird beschrieben, wie der BMC auf einem verwalteten System konfiguriert wird. Drücken Sie nach Eingabe aller Einstellungen <Esc> und wählen Sie dann eine der folgenden Optionen aus:

- **Save Changes and Exit (Änderungen speichern und Beenden) - Behalten**
Sie alle Einträge bei, die im **Remotezugriffs-Konfigurationsdienstprogramm** vorgenommen wurden.
- **Discard Changes and Exit (Änderungen verwerfen und Beenden) -**
Machen Sie alle Einträge rückgängig, die im **Remotezugriffs-Konfigurationsdienstprogramm** vorgenommen wurden.
- **Return to Setup (Zurück zum Setup) - Setzen** Sie die Verwendung des **Remotezugriffs-Konfigurationsdienstprogramms** fort.

Tabelle 2-4. Remotezugriffs-Konfigurationsdienstprogramm

Option	Beschreibung
IPMI über LAN	Aktivieren
NIC-Auswahl	Dediziert Ermöglicht dem Remotezugriffsgerät die Nutzung der dedizierten Netzwerkschnittstelle auf dem Remote-Access-Controller. Diese Schnittstelle wird nicht mit dem Host-Betriebssystem freigegeben und leitet den Systems Management-Verkehr zu einem getrennten physischen Netzwerk, wodurch es vom Anwendungsverkehr getrennt wird. ANMERKUNG: Diese Option ist nur auf Systemen verfügbar, die mit einer DRAC-Karte installiert wurden.

Tabelle 2-4. Remotezugriffs-Konfigurationsdienstprogramm (fortgesetzt)

Option	Beschreibung
LAN-Parameter	
IP-Adressen-Quelle	Dem Netzwerkcontroller wird eine statische IP-Adresse oder eine DHCP-Adresse zu gewiesen.
Ethernet-IP-Adresse	Die statische IP-Adresse des BMC. Dieses Feld ist auf einen maximalen Wert von 255.255.255.255 begrenzt. Die folgenden IPv4-Regeln sind anwendbar: <ul style="list-style-type: none">• IP-Adressen können nicht auf 127.xxx.xxx.xxx gesetzt werden, wobei xxx zwischen 0-255 liegt.• Das erste Oktett muss zwischen 1-223 (z. B. 143.xxx.xxx.xxx) liegen. ANMERKUNG: Der BMC gibt die IP-Adresse 169.254.0.2 mit Subnetzmaske 255.255.0.0 zurück, wenn dieser keine Verbindung zu dem DHCP-Server aufbauen kann.
Subnetzmaske	Die Subnetzmaske für die statische IP-Adresse. ANMERKUNG: Der BMC gibt die IP-Adresse 169.254.0.2 mit Subnetzmaske 255.255.0.0 zurück, wenn dieser keine Verbindung zu dem DHCP-Server aufbauen kann.
Standard-Gateway	Das IP-Gateway für die statische IP-Adresse.
LAN-Benutzerkonfiguration	Aktiviert das Einstellen des Benutzernamens, des Benutzerkennworts, der Benutzerberechtigung und aktiviert den Benutzerzugriff für Benutzer-ID=2.
Kontozugriff	Aktiviert
Kontoberechtigung	Setzen Sie das Konto auf: Admin .
Kontobenutzername	Weisen Sie einen Kontobenutzernamen zu.
Kennwort eingeben	Geben Sie das Kennwort für diesen Kontobenutzer ein. Sie müssen mindestens ein Zeichen eingeben, dass nicht Null ist.
Kennwort bestätigen	Bestätigen Sie das eingegebene Kennwort.



ANMERKUNG: Wenn die erste integrierte Netzwerkkarte (NIC 1) in einem Ether-Channel-Team oder einem Link-Aggregations-Team verwendet wird, wird die Verwaltung des BMC auf PowerEdge **x8xx**-Systemen nicht korrekt ausgeführt. Die Option NIC-Teaming wird nur auf PowerEdge **x9xx**- und **xx0x**-Systemen unterstützt. Weitere Informationen zu Netzwerkteams finden Sie in der Dokumentation für die Netzwerkkarte.

- Überprüfen Sie, ob der BMC zugänglich ist und von einem Remoteknoten im Cluster gesteuert werden kann, indem Sie den Befehl **bmc info** verwenden.

Wenn zum Beispiel `node2-ipmi` der Netzwerk-Hostname ist, der dem BMC für Knoten2 zugewiesen wurden, geben Sie zur Überprüfung des BMC an Knoten2 von Knoten1 den folgenden Befehl an Knoten1 ein:


```
$ ipmitool -H node2-ipmi -U bmcuser -P password  
($ ipmitool -H Knoten2-ipmi -U bmcbenutzer -P kennwort)
```

```
bmc info
```

Verwenden Sie *root* als Administratorkonto und *calvin* als Kennwort.

Wenn der BMC richtig konfiguriert ist, werden die Informationen zum BMC auf dem Remoteknoten angezeigt. Wenn Sie eine Fehlermeldung sehen, zum Beispiel **Error: Unable to establish LAN session** (Fehler: LAN-Sitzung kann nicht aufgebaut werden), überprüfen Sie die BMC-Konfiguration auf dem Remoteknoten.

Einrichten eines SAS-Clusters für Dell PowerVault-Speichergehäuse

 **WARNUNG:** Bevor Sie mit den in diesem Abschnitt beschriebenen Verfahren beginnen, lesen Sie zunächst die Sicherheitshinweise in der entsprechenden Dokumentation zum System. Weitere Informationen zu empfohlenen und bewährten Praktiken finden Sie unter dell.com/regulatory_compliance.

So konfigurieren Sie die Dell PowerEdge Systeme und die Dell PowerVault Speichergehäuse MD32xx und MD12xx für den Betrieb in einer Oracle Real Application Cluster (RAC)-Umgebung:

- 1 Überprüfen Sie die Hardware- und Softwarekonfigurationen anhand Abbildung 3-1, Abbildung 3-2 und Tabelle 3-1.
- 2 Führen Sie die in „Einrichten der Hardware“ auf Seite 197 beschriebenen Schritte durch.


 **VORSICHTSHINWEIS:** Legen Sie vor dem Aktualisieren der Firmware des PowerVault MD32xx-Speicherarrays von sämtlichen Daten Sicherungskopien an.

Abbildung 3-1. Verkabelung des SAS (Serial-Attached SCSI)-Clusters und des Speichergehäuses Dell PowerVault MD32xx

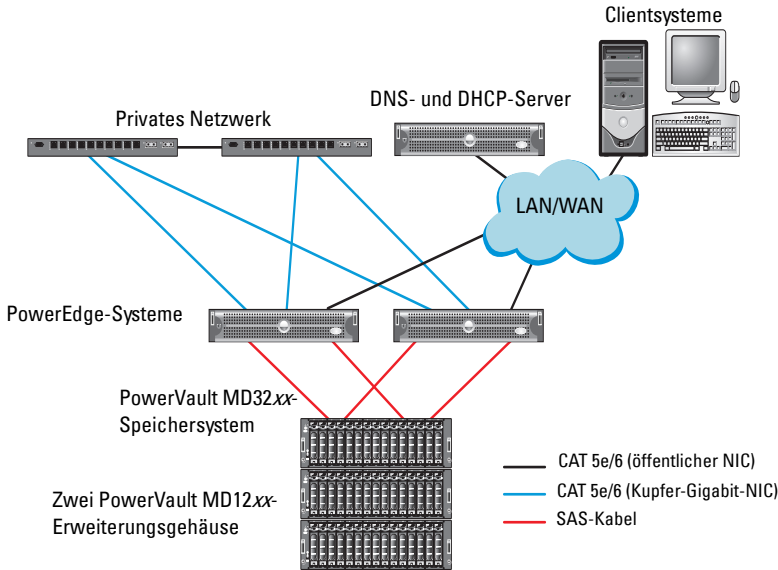


Tabelle 3-1. Verbindungen der SAS-Clusterhardware

Clusterkomponente	Verbindungen
PowerEdge-Systemknoten	<ul style="list-style-type: none"> • Ein CAT 5e/6-Kabel vom öffentlichen NIC zum lokalen Netzwerk (LAN) • Ein CAT 5e/6-Kabel vom privaten Gigabit-NIC zum Gigabit-Ethernet-Switch (privates Netzwerk) • Ein CAT 5e/6-Kabel vom redundanten privaten Gigabit-NIC zum redundanten Gigabit-Ethernet-Switch (privates Netzwerk) • Zwei SAS-Verbindungen mit dem PowerVault MD32xx-Systemknoten über den 6-Gbit/s-SAS-HBA

Tabelle 3-1. Verbindungen der SAS-Clusterhardware (fortgesetzt)

Clusterkomponente	Verbindungen
PowerVault MD32xx-Speichergehäuse	<ul style="list-style-type: none">• Zwei CAT 5e/6-Kabel zum LAN (eines von jedem Speicherprozessormodul)• Zwei SAS-Verbindungen zu jedem PowerEdge-Systemknoten über die SAS-5/E-Kabel. <p>ANMERKUNG: Weitere Information zu Verbindungen bei PowerVault MD32xx-Speichergehäusen finden Sie unter „Einrichten der Hardware“ auf Seite 197.</p>
PowerVault MD12xx-Speichergehäuse (optional)	Für die PowerVault MD12xx-Erweiterungsgehäuse werden weitere SAS-Kabelverbindungen benötigt.

Einrichten der Hardware

SAS-Cluster lassen sich nur in einem Direct-Attach-Cluster installieren und sind auf zwei Knoten beschränkt.

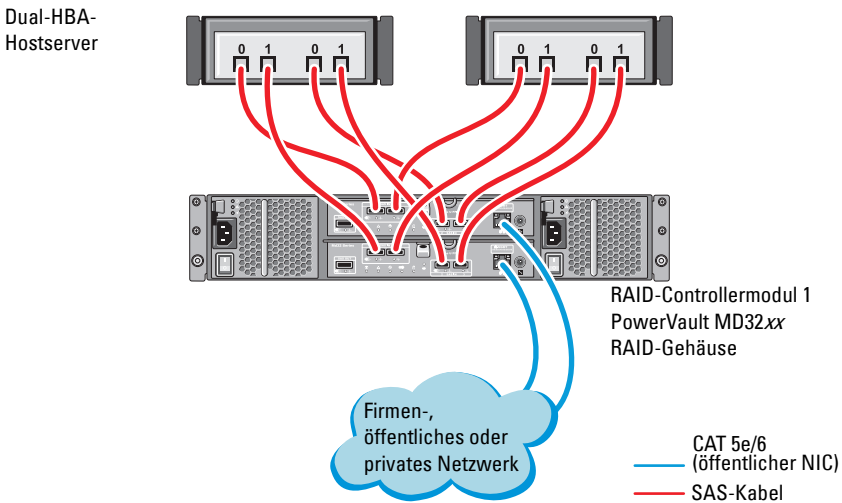
So konfigurieren Sie Ihre Knoten in einer Direct-Attach-Konfiguration:

- 1 Verbinden Sie einen Port des SAS-Controllers von Knoten 1 über ein SAS-Kabel mit Port **In-0** von RAID-Controller 0 im PowerVault MD32xx-Speichergehäuse.
- 2 Verbinden Sie den anderen Port des SAS-Controllers von Knoten 1 über ein SAS-Kabel mit Port **In-0** von RAID-Controller 1 im PowerVault MD32xx-Speichergehäuse.
- 3 Verbinden Sie einen Port des SAS-Controllers von Knoten 2 über ein SAS-Kabel mit Port **In-1** von RAID-Controller 0 im PowerVault MD32xx-Speichergehäuse.
- 4 Verbinden Sie den anderen Port des SAS-Controllers von Knoten 2 über ein SAS-Kabel mit Port **In-1** von RAID-Controller 1 im PowerVault MD32xx-Speichergehäuse.
- 5 Verbinden Sie gegebenenfalls die beiden **Out-Ports** des PowerVault MD32xx-Speichergehäuses über zwei SAS-Kabel mit den beiden **In-Ports** des ersten PowerVault MD12xx-Erweiterungsgehäuses.

- 6 Verbinden Sie gegebenenfalls die beiden Out-Ports des PowerVault MD12xx Speichergehäuses durch zwei SAS-Kabel mit den beiden In-0-Ports des zweiten PowerVault MD12xx-Erweiterungsgehäuses.

ANMERKUNG: Informationen zur Konfiguration des PowerVault MD12xx-Erweiterungsgehäuses finden Sie in der Dokumentation zum PowerVault MD12xx-Speichersystem unter support.dell.com/manuals.

Abbildung 3-2. Verkabelung bei einem Direct-Attach-SAS-Cluster



Installation der hostbasierten Speichersoftware

Um die erforderliche hostbasierte Software für das Speichergehäuse PowerVault MD32xx zu installieren, verwenden Sie das Dell PowerVault Resource-Medium, das mit dem System geliefert wurde. Um die Modular Disk Storage Manager (MDSM)-Software auf dem Master-Knoten und die Multi-Path Input/Output (MPIO)-Software auf den restlichen Knoten zu installieren, folgen Sie den Anleitungen in der Dokumentation zum PowerVault MD32xx-Speichergehäuse.

Überprüfung und Upgrade der Firmware

So führen Sie eine Überprüfung und ein Upgrade der Firmware durch:

- 1 Verwenden Sie die auf dem Hostsystem installierte MDSM-Software, um den direkt mit dem Hostsystem verbundenen Speicher zu erkennen.
- 2 Stellen Sie sicher, dass die Firmware-Mindestanforderungen der folgenden Speicherkomponenten erfüllt sind:
 - Firmware des RAID-Controllers
 - Firmware des PowerVault MD32xx-Speichersystems
 - Firmware des PowerVault MD12xx-Erweiterungsgehäuses



ANMERKUNG: Die erforderliche Mindestversion für die Firmware finden Sie über den Link **Dell Validated Components** unter **dell.com/oracle**.

Installation des SAS-HBA-Adaptertreibers

Installieren Sie den SAS-HBA-Treiber vom *PowerVault MD32xx Resource-Medium*.



ANMERKUNG: Stellen Sie sicher, dass die SAS-HBA-Treiberversion nicht älter ist als die in der Solution Deliverable List (SDL) aufgeführte Version. Die SDLs für alle von Dell validierten Komponenten können unter **dell.com/oracle** abgerufen werden.

Anleitungen zur Installation der Treiber auf beiden Clusterknoten finden Sie in den Dokumentationen zum Speichergehäuse PowerVault MD32xx und zu den SAS-HBAs.

Installation der hostbasierten Speichersoftware

Installieren der Software

Die Resource-Medien für die Reihe PowerVault MD32xx enthalten Software und Treiber.

Im Stammverzeichnis des jeweiligen Mediums befindet sich eine Datei namens readme.txt. Sie enthält Informationen zu Softwareänderungen, Aktualisierungen, Fixes, Patches und andere wichtige Daten für Windows-Betriebssysteme. Die Datei readme.txt enthält auch Anforderungsspezifikationen für den Zugriff auf Dokumentationen, Versionsinformationen zu der auf dem Medium mitgelieferten Software und Systemanforderungen für den Betrieb der Software.

Weitere Informationen über unterstützte Hardware und Software für Dell PowerVault-Systeme finden Sie in der Support-Matrix unter support.dell.com/manuals.



ANMERKUNG: Es wird empfohlen, dass Sie alle neuesten Aktualisierungen installieren, die auf support.dell.com zur Verfügung stehen.

Installieren der MD-Storage-Software

Das Installationsprogramm der Speicherverwaltungssoftware der Reihe PowerVault MD32xx stellt Funktionen zur Verfügung, zu denen die Kernsoftware und Anbieter gehören. Zu den Funktionen der Kernsoftware gehören der hostbasierte Speicher-Agent, Multipath-Treiber und die Anwendung MD Storage Manager (MDSM), die zur Konfiguration, Verwaltung und Überwachung der Speicherarray-Lösung verwendet wird.

Die Anbieter-Funktion enthält Anbieter für das Microsoft Virtual Disk Service (VDS) und Microsoft Volume Shadow-Copy Service (VSS) Framework.



ANMERKUNG: Lesen Sie für weitere Informationen über die Microsoft VDS- und Microsoft VSS-Anbieter im Benutzerhandbuch nach.



ANMERKUNG: Für die Installation der Software auf einem Windows-System benötigen Sie Administratorberechtigungen.

Das mitgelieferte Resource-Medium für die Reihe PowerVault MD32xx bietet die folgenden Installationsmethoden:

- GUI-based Installation(Recommended) (Grafische Installation [Empfohlen]) – Das Installationsprogramm bietet eine grafische assistentengeführte Oberfläche, die eine Anpassung der zu installierenden Komponenten erlaubt.
- Silent Installation (Automatische Installation) – Dieses Installationsverfahren ist für Benutzer von Vorteil, die es vorziehen, Installationen mithilfe von Skripten zu erstellen.

Grafische Installation (Empfohlen)

So führen Sie die grafische Installation durch:

- 1 Schließen Sie alle anderen Programme, bevor Sie neue Software installieren.
- 2 Legen Sie das Resource-Medium ein.
- 3 Wählen Sie die Option **Install MD32xx Storage Software** (MD32xx-Speichersoftware installieren) aus.



ANMERKUNG: Wenn der Hostserver die Core-Version von Windows Server ausführt oder das Startprogramm nicht automatisch ausgeführt wird, dann navigieren Sie zum Stammverzeichnis des Mediums und führen Sie für Windows die Datei **md_launcher.exe** aus.

- 4 Installieren Sie die MD Storage-Software. Wählen Sie eine der folgenden Installationsoptionen:
 - Full (Vollständig) – Dieses Paket installiert die Kernsoftware, Anbieter und Dienstprogramme. Dazu zählen der benötigte hostbasierte Speicher-Agent, der Multipath-Treiber, MD Storage Manager, Provider und optionale Programme.
 - Host Only (Nur Host) – Dieses Paket umfasst den Host-Kontext-Agent, Multipath-Treiber und optionale Programme zum Konfigurieren des Hosts.
 - Management Station (Verwaltungsstation) – Dieses Paket umfasst MD Storage Manager, Anbieter und optionale Programme.
 - Custom (Benutzerdefiniert) – Mithilfe dieser Option können Sie bestimmte Komponenten auswählen.
- 5 Führen Sie einen Neustart der einzelnen Hostserver durch.

Automatische Installation

Diese Option ermöglicht Ihnen das Installieren der Software im unbeaufsichtigten Modus. Um die automatische Installation auf einem Windows-System durchzuführen, gehen Sie wie folgt vor:

- 1 Navigieren Sie zum Starten der Installation mit allen Standardoptionen zum Windows-Ordner auf dem Resource-Medium und führen Sie den folgenden Befehl aus:

```
md32xx_install -i silent
```

- 2 Um zu festzulegen, welche Funktionen automatisch installiert werden sollen, müssen Sie die im gleichen Verzeichnis befindliche Datei **custom_silent.properties** modifizieren und sie auf einen schreibfähigen Speicherort auf dem Hostserver kopieren. Diese Datei enthält eine Liste mit unterstützten Funktionen und deren Beschreibungen. Führen Sie zur Nutzung der modifizierten **custom_silent.properties**-Datei den folgenden Befehl aus:

```
md32xx_install -f
```

```
C:\pfad\zu\custom_silent.properties
```

Maßnahmen nach der Installation

Bevor Sie das Speicherarray der Reihe PowerVault MD32xx zum ersten Mal verwenden, müssen Sie verschiedene erste Konfigurationsschritte in der angegebenen Reihenfolge ausführen. Diese Schritte werden mit der MD Storage Manager-Software (MDSM) durchgeführt.

Nach der Installation müssen Sie folgende Maßnahmen durchführen:

- 1 Für die bandexterne Verwaltung müssen Sie die Netzwerkkonfiguration für jedes RAID-Controllermodul festlegen, einschließlich IP-Adresse (Internet Protocol), Subnetzmaske und Gateway.



ANMERKUNG: Die Netzwerkkonfiguration können Sie mit einem DHCP-Server festlegen.

- 2 Starten Sie MDSM.
 - Klicken Sie bei Microsoft Windows-Betriebssystemen auf **Start**→ **Programme**→ **Dell**→ **MD Storage Manager**→ **Modular Disk Storage Manager Client**.

- 3 Klicken Sie im **Enterprise Management-Fenster (EMF)** auf **Setup**→ **Add Storage Array** (Speicherarray hinzufügen) und starten Sie die automatische Systemerkennung.



ANMERKUNG: Es werden nur Speicherarrays erkannt, deren IP-Adressen demselben Subnetz wie die Verwaltungsstationen angehören.



ANMERKUNG: Die Suche nach angeschlossenen Speicherarrays kann einige Minuten in Anspruch nehmen. Wenn Sie das Statusfenster **Automatic Discovery Status (Automatische Erkennung)** vor dem Abschluss der Erkennung schließen, wird der Erkennungsvorgang abgebrochen.

Nach Abschluss der Erkennung wird ein Bestätigungsfenster angezeigt.

- 4 Klicken Sie auf **Close** (Schließen), um das Fenster zu schließen.

Überprüfen der Speicherarray-Erkennung

Mit der Funktion **Automatic Discovery (Automatische Erkennung)** werden sowohl bandinterne als auch bandexterne Arrays erkannt, und die Speicherarrays werden der Verwaltungsdomäne hinzugefügt. Sollten die bandexternen oder bandinternen Verbindungen auf der Seite „Zusammenfassung“ nicht zutreffend sein, führen Sie die folgenden Schritte aus:

So überprüfen Sie die Speicherarray-Erkennung:

- 1 Überprüfen Sie die Hardware und die Verbindungen auf mögliche Fehler. Spezifische Informationen zur Fehlerbehebung bei Schnittstellenproblemen, finden Sie im *Benutzerhandbuch* des jeweiligen Speicherarrays.
- 2 Vergewissern Sie sich, dass das Array im lokalen Subnetzwerk vorhanden ist. Ist dies nicht der Fall, klicken Sie auf den Link **New** (Neu), um ihn manuell hinzuzufügen.
- 3 Vergewissern Sie sich, dass sich alle Speicherarrays im Status **Optimal** befinden. Falls sich ein Array im Status „Unresponsive“ (Keine Antwort) befindet, führen Sie einen der folgenden Schritte aus:
 - a Um das Array aus der Management-Domäne zu entfernen, markieren Sie das Array und klicken Sie auf **Remove** (Entfernen).
 - b Um ein Array hinzuzufügen, klicken Sie auf **New** und dann auf **OK**.
- 4 Wenn das Array immer noch nicht reagiert (Unresponsive), wenden Sie sich an Dell.

Grundlegende Einrichtungsvorgänge

So führen Sie die grundlegenden Schritte zur Einrichtung durch:

- 1 Der Name des ersten gefundenen Speicherarrays erscheint in der Registerkarte „Geräte“ des EMW. Um eine Liste aller im lokalen Netzwerk gefundenen Speicherarrays anzuzeigen, vergrößern Sie die Registerkarte der erkannten Speicherarrays im Bereich „Geräte“ des EMW.
- 2 Der Standardname für ein neu installiertes MD32xx-Speicherarray lautet **Unnamed** (Unbenannt). Falls in MDSM ein anderer Name angezeigt wird, klicken Sie auf den nach unten weisenden Pfeil neben dem Namen und klicken Sie in der Dropdown-Liste auf **Unnamed** (Unbenannt).
- 3 Doppelklicken Sie auf das erkannte Array, um das Array-Management-Fenster zu starten und die Änderungen der Arraykonfiguration vorzunehmen.
- 4 Klicken Sie auf **Perform Initial Setup Tasks** (Grundlegende Einrichtungsvorgänge durchführen), um eine Gliederung sowie Links zu den verbleibenden Schritten nach der Installation anzuzeigen. Das Array kann nun konfiguriert werden.



ANMERKUNG: Überprüfen Sie vor der Konfiguration des Speicherarrays die Statussymbole im Bereich Device (Gerät), um sicherzustellen, dass sich die Gehäuse des Speicherarrays im Status Optimal befinden. Weitere Informationen finden Sie im *Bedienungshandbuch* des jeweiligen Speicherarrays unter support.dell.com/manuals.

Aktivieren von Erweiterungsfunktionen (optional)

Wenn Sie Premiumfunktionen bestellt haben, folgen Sie den Anweisungen auf der Karte „Premium Features“ (Premiumfunktionen), um die zusätzlichen Funktionen zu installieren.

Einrichten eines iSCSI-Clusters für Dell PowerVault-Speichergehäuse

! WARNUNG: Bevor Sie mit den in diesem Abschnitt beschriebenen Verfahren beginnen, lesen Sie zunächst die Sicherheitshinweise in der entsprechenden Dokumentation zum System. Weitere Informationen zu empfohlenen und bewährten Praktiken finden Sie unter dell.com/regulatory_compliance.

Dieser Abschnitt enthält Informationen und Vorgehensweisen zur Konfiguration Ihres Dell PowerEdge-Systems und der Dell PowerVault Speichergehäuse MD32xxi und MD12xx für den Betrieb in einer Oracle RAC (Real Application Cluster)-Umgebung.

Gleichen Sie die Hardwareverbindungen und die Hardware- und Softwarekonfiguration mit den Angaben zu den unterstützten Konfigurationen in der *Support-Matrix* für *Dell PowerVault MD32xxi* unter support.dell.com/manuals ab.

Tabelle 4-1. iSCSI-Hardwareverbindungen

Clusterkomponente	Verbindungen
PowerEdge-Systemknoten	<ul style="list-style-type: none"> • Ein CAT 5e/6-Kabel vom öffentlichen NIC zum lokalen Netzwerk (LAN) • Ein CAT 5e/6-Kabel vom privaten Gigabit-NIC zum Gigabit-Ethernet-Switch (privates Netzwerk) • Ein CAT 5e/6-Kabel vom redundanten privaten Gigabit-NIC zum redundanten Gigabit-Ethernet-Switch (privates Netzwerk) • Ein CAT 5e/6-Kabel vom iSCSI-Gigabit-NIC zum Gigabit-Ethernet-Switch (iSCSI-Netzwerk)

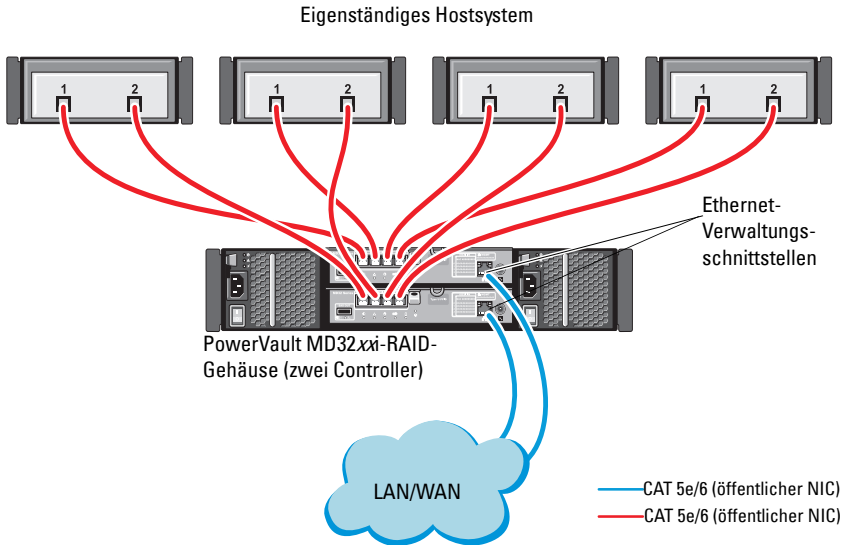
Tabelle 4-1. iSCSI-Hardwareverbindungen (fortgesetzt)

Clusterkomponente	Verbindungen
PowerVault MD30xxi-Speichersystem	<ul style="list-style-type: none">• Zwei CAT 5e/6-Kabel zum LAN (eines von jedem Speicherprozessormodul) für die Verwaltungsschnittstelle• Zwei CAT 5e/6-Kabel je Speicherprozessor als iSCSI-Verbindung <p>ANMERKUNG: Weitere Informationen zum PowerVault MD32xxi-Speichergehäuse finden Sie in der PowerVault MD32xxi-Dokumentation unter support.dell.com/manuals.</p>
PowerVault MD12xx-Speichererweiterungsgehäuse (optional)	Für das MD12xx-Erweiterungsgehäuse werden weitere SAS-Kabelverbindungen benötigt.

Einrichten der Hardware

Direct-Attach-iSCSI-Cluster sind auf zwei Knoten beschränkt.

Abbildung 4-1. Verkabelung von Direct-Attach-iSCSI-Clustern



Hinweise zum Konfigurieren der Knoten in einer Direct-Attach-Konfiguration finden Sie unter Abbildung 4-1.

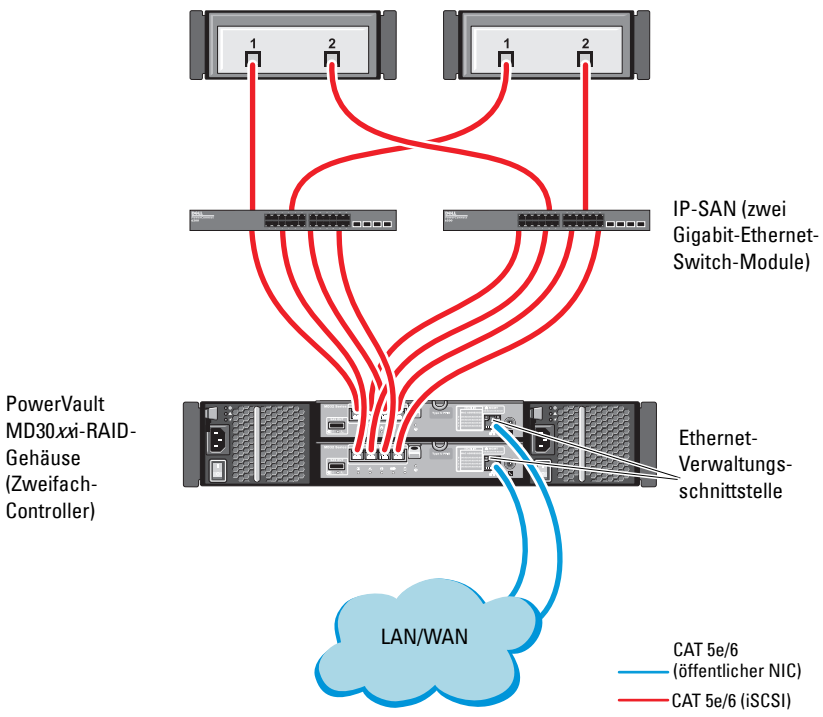
- 1 Verbinden Sie einen Port (iSCSI-HBA oder NIC) von Knoten 1 über ein CAT 5e/6-Kabel mit Port **In-0** von RAID-Controller 0 im PowerVault MD32xxi-Speichergehäuse.
- 2 Verbinden Sie den anderen Port (iSCSI-HBA oder NIC) von Knoten 1 über ein CAT 5e/6-Kabel mit Port **In-0** von RAID-Controller 1 im PowerVault MD32xxi-Speichergehäuse.
- 3 Verbinden Sie einen Port (iSCSI-HBA oder NIC) von Knoten 2 über ein CAT 5e/6-Kabel mit Port **In-1** von RAID-Controller 0 im PowerVault MD32xxi-Speichergehäuse.
- 4 Verbinden Sie den anderen Port (iSCSI-HBA oder NIC) von Knoten 2 über ein CAT 5e/6-Kabel mit Port **In-1** von RAID-Controller 1 im PowerVault MD32xxi-Speichergehäuse.
- 5 Wiederholen Sie Schritt 1 bis Schritt 4 für Knoten 3 und Knoten 4, um sie mit den Ports In-2 und In-3 von RAID-Controller 0 und RAID-Controller 1 zu verbinden.
- 6 Verbinden Sie gegebenenfalls die beiden **Out**-Ports des PowerVault MD32xxi-Speichergehäuses über zwei SAS-Kabel mit den beiden In-Ports des ersten PowerVault MD12xx-Erweiterungsgehäuses.
- 7 Verbinden Sie gegebenenfalls die beiden **Out**-Ports des PowerVault MD12xx Speichergehäuses über zwei SAS-Kabel mit den beiden **In**-Ports des zweiten MD12xx-Erweiterungsgehäuses.



ANMERKUNG: Informationen zur Konfiguration des PowerVault MD12xx-Erweiterungsgehäuses finden Sie in der Dokumentation zum PowerVault MD32xxi-Speichersystem unter support.dell.com/manuals.

Über Switches verbundene iSCSI-Cluster unterstützen bis zu acht Knoten.

Abbildung 4-2. Verkabelung von iSCSI-Clustern in einer Switch-Konfiguration



Hinweise zum Konfigurieren der Knoten in einer Switch-Konfiguration finden Sie unter Abbildung 4-2.

- 1 Verbinden Sie einen Port (iSCSI-HBA oder NIC) von Knoten 1 über ein CAT 5e/6-Kabel mit dem Port von Netzwerk-Switch 1.
- 2 Verbinden Sie einen Port (iSCSI-HBA oder NIC) von Knoten 1 über ein CAT 5e/6-Kabel mit dem Port von Netzwerk-Switch 2.
- 3 Verbinden Sie einen Port (iSCSI-HBA oder NIC) von Knoten 2 über ein CAT 5e/6-Kabel mit dem Port von Netzwerk-Switch 1.
- 4 Verbinden Sie einen Port (iSCSI-HBA oder NIC) von Knoten 2 über ein CAT 5e/6-Kabel mit dem Port von Netzwerk-Switch 2.
- 5 Verbinden Sie Switch 1 über zwei CAT 5e/6-Kabel mit dem Port **In-0** von RAID-Controller 0 im PowerVault MD32xxi-Speichergehäuse.
- 6 Verbinden Sie zwei weitere Ports von Switch 1 über zwei CAT 5e/6-Kabel mit RAID-Controller 1 im PowerVault MD32xxi-Speichergehäuse.
- 7 Verbinden Sie einen Port von Switch 2 über zwei CAT 5e/6-Kabel mit RAID-Controller 0 im PowerVault MD32xxi-Speichergehäuse.
- 8 Verbinden Sie zwei weitere Ports von Switch 2 über zwei CAT 5e/6-Kabel mit RAID-Controller 1 im PowerVault MD32xxi-Speichergehäuse.
- 9 Verbinden Sie gegebenenfalls die beiden **Out**-Ports des PowerVault MD32xxi-Speichergehäuses über zwei SAS-Kabel mit den beiden **In**-Ports des ersten PowerVault MD12xx-Erweiterungsgehäuses.
- 10 Verbinden Sie gegebenenfalls die beiden **Out**-Ports des PowerVault MD32xx-Speichergehäuses über zwei SAS-Kabel mit den **In**-Ports des zweiten PowerVault MD12xx-Erweiterungsgehäuses.



ANMERKUNG: Informationen zur Konfiguration des PowerVault MD12xx-Erweiterungsgehäuses finden Sie in der Dokumentation des PowerVault-Speichersystems MD32xxi unter support.dell.com/manuals. Es wird empfohlen, die iSCSI-Speicher-Infrastruktur in einem eigenen Netzwerk zu betreiben. Wenn kein eigenes, dediziertes Netzwerk für iSCSI verfügbar ist, weisen Sie die Speicherfunktion einem eigenen virtuellen LAN-Netzwerk (VLAN) zu. Dadurch wird innerhalb des physischen Netzwerks ein unabhängiges logisches Netzwerk eingerichtet.

Installation der hostbasierten Software für das Speichersystem

Um die erforderliche hostbasierte Software für das Speichersystem PowerVault MD32xxi zu installieren, verwenden Sie das *Dell PowerVault Resource*-Medium, das mit dem MD32xxi-Speichersystem geliefert wurde. Um die Software Modular Disk Storage Manager (MDSM) auf dem Master-Knoten und die Multipath-Treiber-Software (MPIO) auf den restlichen Knoten zu installieren, folgen Sie den Anleitungen in der Dokumentation zum Speichergehäuse PowerVault MD32xxi unter support.dell.com/manuals.

Überprüfung und Upgrade der Firmware

So führen Sie eine Überprüfung und ein Upgrade der Firmware durch:

- 1 Verwenden Sie die auf dem Hostsystem installierte MDSM-Software, um den direkt mit dem Hostsystem verbundenen Speicher zu erkennen.
- 2 Stellen Sie sicher, dass die Firmware-Mindestanforderungen der folgenden Speicherkomponenten erfüllt sind.
 - Firmware des MD32xxi-Speichersystems
 - Firmware des MD12xx-Erweiterungsgehäuses



ANMERKUNG: Die erforderliche Mindestversion für die Firmware finden Sie über den Link **Dell Validated Components** unter dell.com/oracle.

Einrichten eines iSCSI-Clusters für Dell PowerVault MD32xxi- und MD12xx-Speichergehäuse

Einrichten der Hardware

Hinweise zum Einrichten oder Installieren der Erweiterungsgehäuse PowerVault MD32xxi und PowerVault MD12xx finden Sie in der Dokumentation zu PowerVault unter support.dell.com/manuals.

Installation der hostbasierten Speichersoftware

Das Installationsprogramm der Speicherverwaltungssoftware der PowerVault MD32xxi-Reihe stellt Funktionen zur Verfügung, zu denen die Kernsoftware, Anbieter und optionale Dienstprogramme gehören. Zu den Funktionen der Kernsoftware gehören der hostbasierte Speicher-Agent, Multipath-Treiber und die Anwendung MD Storage Manager (MDSM), die zur Konfiguration, Verwaltung und Überwachung der Speicherarray-Lösung verwendet wird. Die Anbieterfunktion enthält Anbieter für die Frameworks Microsoft Virtual Disk Service (VDS) und Microsoft Volume Shadow-Copy Service (VSS). MDCU (Modular Disk Configuration Utility) ist ein optionales Hilfsprogramm, das einen konsolidierten Ansatz für die Konfiguration der Verwaltungsschnittstellen und der iSCSI-Hostports sowie für die Erstellung von Sitzungen für die modularen iSCSI-Festplatten-Speicherarrays bietet. Es wird empfohlen, das MDCU-Programm für die iSCSI-Konfiguration auf jedem Host zu installieren und zu verwenden, der mit dem Speicherarray verbunden ist.



ANMERKUNG: Lesen Sie für weitere Informationen über die Microsoft VDS- und Microsoft VSS-Anbieter im Benutzerhandbuch nach. Zur Installation der Software auf einem Windows-Betriebssystem benötigen Sie Administratorberechtigungen.



ANMERKUNG: Wenn DHCP (Dynamic Host Configuration Protocol) nicht verwendet wird, muss die Erstkonfiguration der Verwaltungsstation in dem physischen Subnetz durchgeführt werden, dem auch das Speicherarray angehört. Zudem muss während der Erstkonfiguration mindestens ein Netzwerkadapter in dem IP-Subnetz konfiguriert werden, dem auch die Standard-Verwaltungsschnittstelle angehört (192.168.128.101 oder 192.168.128.102). Nach der Erstkonfiguration, in der die Verwaltungsstationen mit MDSM konfiguriert wurden, kann die IP-Adresse der Verwaltungsstation wieder auf die vorherigen Einstellungen zurückgesetzt werden.

Das mitgelieferte Resource-Medium der Reihe PowerVault MD32xxi bietet die folgenden drei Installationsmethoden:

- GUI-based Installation (Recommended) (Grafische Installation [Empfohlen]) – Das Installationsprogramm bietet eine grafische assistentengeführte Oberfläche, die eine Anpassung der zu installierenden Komponenten erlaubt.
- Silent Installation (Automatische Installation) – Dieses Installationsverfahren ist für Benutzer von Vorteil, die es vorziehen, Installationen mithilfe von Skripten zu erstellen.

Grafische Installation (Empfohlen)

So führen Sie die grafische Installation durch:

- 1 Schließen Sie alle anderen Programme, bevor Sie neue Software installieren.
- 2 Legen Sie das Resource-Medium ein.
- 3 Wählen Sie die Option zum Installieren der MD32xxi-Speichersoftware aus.



ANMERKUNG: Wenn der Hostserver die Core-Version von Windows Server ausführt oder das Startprogramm nicht automatisch ausgeführt wird, dann navigieren Sie zum Stammverzeichnis des Mediums und führen Sie für Windows die Datei **md_launcher.exe** aus.

- 4 Installieren Sie die MD Storage-Software. Wählen Sie eine der folgenden Installationsoptionen:
 - Full (Vollständig) – Dieses Paket installiert die Kernsoftware, Anbieter und Dienstprogramme. Dazu zählen der benötigte hostbasierte Speicher-Agent, der Multipath-Treiber, MD Storage Manager, Provider und optionale Programme.
 - Host Only (Nur Host) – Dieses Paket umfasst den Host-Kontext-Agent, Multipath-Treiber und optionale Programme zum Konfigurieren des Hosts.
 - Management Station (Verwaltungsstation) – Dieses Paket umfasst MD Storage Manager, Anbieter und optionale Programme.
 - Custom (Benutzerdefiniert) – Mithilfe dieser Option können Sie bestimmte Komponenten auswählen.
- 5 Führen Sie einen Neustart der einzelnen Hostserver durch.

Automatische Installation

Diese Option ermöglicht Ihnen das Installieren der Software im unbeaufsichtigten Modus. Führen Sie die folgenden Schritte durch, um die automatische Installation auf einem Windows-System durchzuführen:


- 1 Navigieren Sie zum Starten der Installation mit allen Standardoptionen zum Windows-Ordner auf dem Resource-Medium und führen Sie den folgenden Befehl aus: `md32xxi_install -i silent`
- 2 Um zu spezifizieren, welche Funktionen automatisch installiert werden sollen, müssen Sie die im gleichen Verzeichnis befindliche Datei `custom_silent.properties` modifizieren und sie auf einen schreibfähigen Speicherort auf dem Hostserver kopieren. Diese Datei enthält eine Liste mit unterstützten Funktionen und deren Beschreibungen. Führen Sie zur Nutzung der modifizierten `custom_silent.properties`-Datei den folgenden Befehl aus:

```
md32xxi_install -f <Pfad>/custom_silent.properties
```

Aktivieren von Erweiterungsfunktionen (optional)

Wenn Sie Premiumfunktionen bestellt haben, folgen Sie den Anweisungen auf der Karte „Premium Features“ (Premiumfunktionen), um die zusätzlichen Funktionen zu installieren.

Einrichten eines iSCSI-Clusters für das Dell|EqualLogic PS-Speichersystem

 **WARNUNG:** Bevor Sie mit den in diesem Abschnitt beschriebenen Verfahren beginnen, lesen Sie zunächst die Sicherheitshinweise in der entsprechenden Dokumentation zum System. Weitere Informationen zu empfohlenen und bewährten Praktiken finden Sie unter dell.com/regulatory_compliance.

EqualLogic-Terminologie

Die PS-Speicherarrays von EqualLogic setzen Speichervirtualisierungstechnologie ein. Um die Funktion dieser Arrays besser zu verstehen, sollten Sie einige Begriffe kennen, die in diesem Zusammenhang verwendet werden:

- **Mitglied** – Ein einzelnes PS-Speicherarray
- **Gruppe** – Ein Satz aus einem oder mehreren Mitgliedern, die zentral verwaltet werden; Hostsysteme greifen über eine einzelne Gruppen-IP-Adresse auf die Daten zu.
- **Pool** – Ein RAID, das Datenträger von einem oder mehreren Mitgliedern enthalten kann.
- **Volume** – Eine LUN bzw. ein virtueller Datenträger, der eine Teilmenge der Pool-Kapazität darstellt.

Einrichten des EqualLogic iSCSI-Speichersystems

Hostsysteme lassen sich mit dem EqualLogic PS6010XV iSCSI-Array über einen gängigen IP-SAN-10-Gigabit-Ethernet-Switch verbinden. Abbildung 5-1 zeigt die empfohlene Netzwerkkonfiguration für ein EqualLogic PS6010XV-Array mit zwei Steuermodulen. Diese Konfiguration umfasst zwei Dell PowerConnect 10-Gigabit-Ethernet-Switches, um die höchste Netzwerkverfügbarkeit und maximale Netzwerkbandbreite zu ermöglichen. Weitere Informationen erhalten Sie in der Dokumentation von EqualLogic unter support.equallogic.com.



ANMERKUNG: Es wird empfohlen, zwei 10-Gigabit-Ethernet-Switches zu verwenden. In einer Umgebung mit nur einem Ethernet-Switch verlieren bei einem Ausfall des Switches alle Hosts den Zugriff auf den Speicher, bis das Switch-Modul ausgetauscht und die Konfiguration wiederhergestellt wird. Bei einer solchen Konfiguration müssen mehrere Ports mit Link-Aggregation vorhanden sein, um die Verbindung zwischen den Switches herzustellen (Trunk). Zudem wird für beide Steuermodule empfohlen, je eine Gigabit-Schnittstelle mit einem Ethernet-Switch und die anderen beiden Gigabit-Schnittstellen mit dem anderen Ethernet-Switch zu verbinden.

Abbildung 5-1. Empfohlene Netzwerkkonfiguration

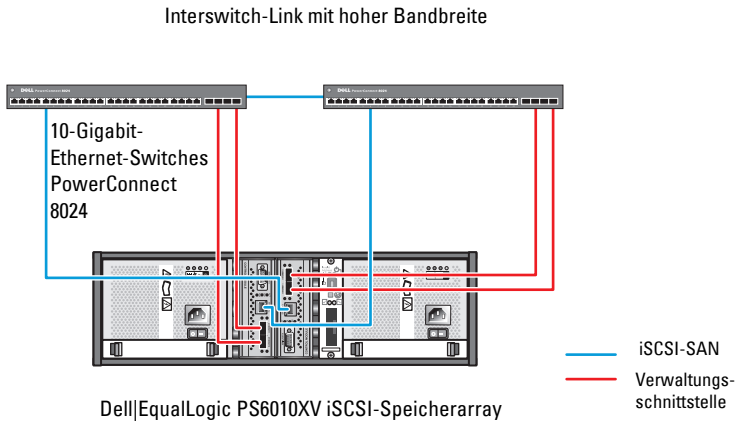
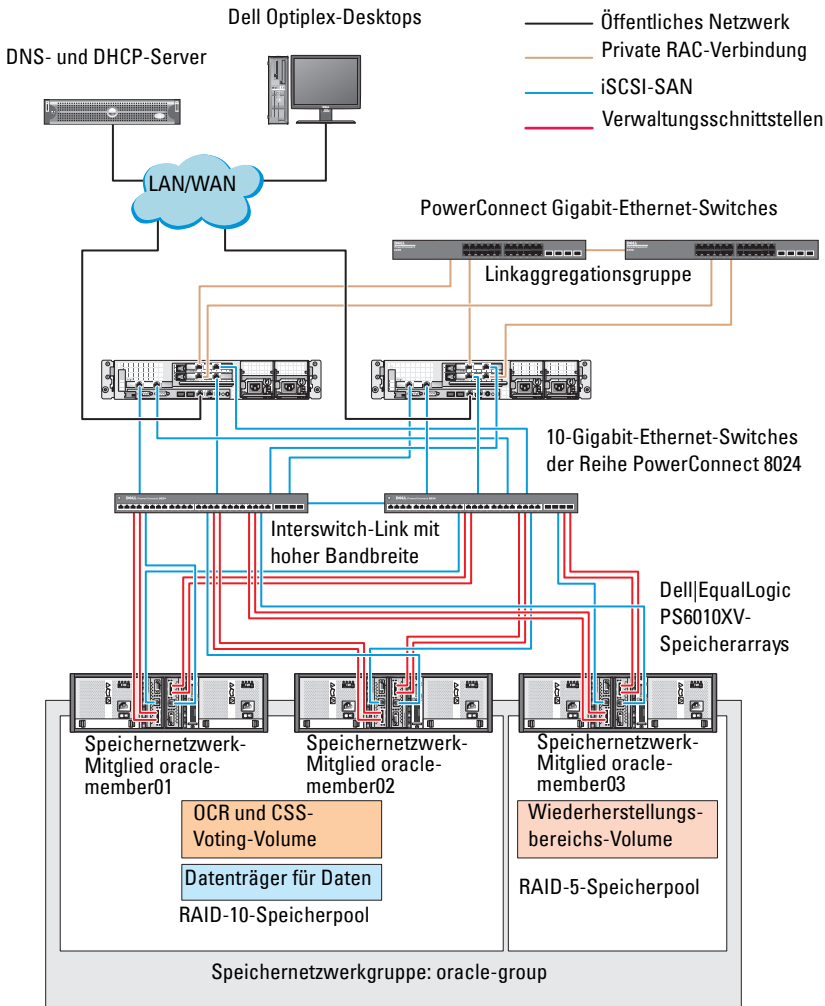


Abbildung 5-2 gibt einen Überblick über die Systemarchitektur einer Oracle Real Application Cluster (RAC)-Beispielkonfiguration mit drei Dell|EqualLogic PS6010XV-Speicherarrays. Die Dell|EqualLogic PS6010XV-Speicherarrays stellen die physische Speicherkapazität für die RAC-Datenbank bereit. Die Gruppe **oracle-group** umfasst drei Dell|EqualLogic PS6010XV-Mitglieder: **oracle-member01**, **oracle-member02** und **oracle-member03**. Wenn ein Mitglied initialisiert wird, kann es mit RAID 10, RAID 5 oder RAID 50 konfiguriert werden.

Abbildung 5-2. Beispielkonfiguration eines Oracle RAC mit drei PS6010XV-Arrays



ANMERKUNG: Weitere Informationen zum Initialisieren eines EqualLogic-Arrays erhalten Sie im *Benutzerhandbuch zu Dell EqualLogic* unter support.dell.com/manuals.

Eine EqualLogic PS-Speichergruppe kann in mehrere Ebenen oder Pools unterteilt werden. Mit gestaffeltem Speicher haben Administratoren mehr Kontrolle über die Zuweisung von Datenträgerressourcen. Zu jedem Zeitpunkt kann ein Mitglied nur einem einzigen Pool zugewiesen werden. Ein Mitglied lässt sich einem Pool problemlos zuweisen und zwischen Pools verschieben, ohne dass dies die Datenverfügbarkeit beeinflusst. Pools können nach verschiedenen Kriterien organisiert werden, etwa nach Datenträgertypen oder -geschwindigkeiten, RAID-Levels oder Anwendungstypen.

In Abbildung 5-2 sind die Pools nach dem RAID-Level der Mitglieder eingeteilt:

- Der Pool namens RAID 10 besteht aus Mitgliedern mit RAID 10.
- Der Pool namens RAID 5 besteht aus Mitgliedern mit RAID 5.

Erstellen von Volumes

Bevor Daten gespeichert werden können, müssen die physischen Laufwerke des EqualLogic PS6010XV-Speicherarrays in nutzbare Komponenten konfiguriert werden, so genannte Volumes. Ein Volume stellt einen Teil des Speicherpools mit spezifischer Größe, Zugriffssteuerung und anderen Attributen dar. Ein Volume kann sich über mehrere Datenträger und Gruppenmitglieder erstrecken. Ein Volume ist auf dem Netzwerk als iSCSI-Target sichtbar. Volumes werden einem Pool zugewiesen und lassen sich einfach zwischen Pools verschieben, ohne Einfluss auf die Datenverfügbarkeit. Zusätzlich finden in einem Pool automatische Datenplatzierung und automatischer Lastausgleich statt, basierend auf der Gesamtlast der Speicherhardwareressourcen im Pool.

Tabelle 5-1 zeigt eine Volume-Beispielkonfiguration.

Tabelle 5-1. Konfiguration von Datenträgern für Oracle RAC

Anzahl der Volumes	Mindestgröße	RAID	Anzahl der Partitionen	Verwendet für	Betriebssystem-Zuordnung
Drei	1024 MB	10	Eines	Voting-Datenträger, Oracle Clusterware Registry (OCR)	ASM-Datenträgergruppe für Cluster Registry (OCR) und Voting-Datenträger
Eines	Größer als die Datenbank	10	Eines	Daten	ASM-Datenträgergruppe DATABASEDG
Eines	Mindestens doppelt so groß wie die Volumes im zweiten Bereich	5	Eines	Flash-Wiederherstellungsbereich	ASM-Datenträgergruppe FLASHBACKDG
Eines (Optional)	10 GB	10	Eines	Shared DB Home	ASM-Datenträgergruppe für Shared DB Home

Erstellen Sie Volumes im Dell|EqualLogic PS6010XV-Array und erstellen Sie eine Zugriffsliste, die allen Host-iSCSI-Netzwerkschnittstellen den Zugriff auf die Volumes ermöglicht. Es werden zum Beispiel die folgenden Volumes erstellt:

- mdi-ocr
- mdi-data1
- mdi-fral

Konfiguration von iSCSI-Netzwerken



ANMERKUNG: Es wird empfohlen, die Host-Netzwerkschnittstellen für iSCSI-Datenverkehr mit Flusskontrolle und Jumbo-Frames zu konfigurieren, um die Leistung zu optimieren.

Um Flusskontrolle und Jumbo-Frames einzurichten, gehen Sie wie folgt vor:

- 1 Klicken Sie auf **Start**→**Programme und Dateien suchen**, und geben Sie **Netzwerkverbindungen** an.
- 2 Klicken Sie in den Suchergebnissen auf **Netzwerkverbindungen anzeigen**.
- 3 Markieren Sie die **iSCSI-Netzwerkschnittstelle** und klicken Sie mit der rechten Maustaste auf **Eigenschaften**.
- 4 Klicken Sie auf **Konfigurieren**.
- 5 Klicken Sie auf **Erweitert**.
- 6 Markieren Sie **Großes Paket** und setzen Sie den Wert auf 9014 Bytes.
- 7 Markieren Sie **Leistungsoptionen** und klicken Sie dann auf **Eigenschaften**.

Das Fenster **Leistungsoptionen** wird angezeigt.

- 8 Wählen Sie **Flusskontrolle** und setzen Sie den entsprechenden Wert auf **Rx- und Tx-aktiviert**.
- 9 Wiederholen Sie Schritt 3 bis Schritt 8 für alle anderen Netzwerkschnittstellen für iSCSI-Datenverkehr.

Konfigurieren des Hostzugriffs auf Volumes

Installieren und Konfigurieren des Dell EqualLogic Host Integration Tool-Kits (HIT)

- 1 Laden Sie die aktuelle Version des HIT-Tool-Kits auf Ihren Datenbankserver herunter.
- 2 Doppelklicken Sie auf **Setup64.exe**, um das Installationsfenster zu öffnen.
- 3 Klicken Sie im Begrüßungsfenster des Installationsprogramms für **Host Integration Tools 3.5.1** auf **Next (Weiter)**.
- 4 Wählen Sie im Fenster **License Agreements** (Lizenzvertrag) den Eintrag **I accept the terms of all the license agreements** (Ich bin mit den Bedingungen des Lizenzvertrags einverstanden) und klicken Sie auf **Next (Weiter)**.

- 5 Wählen Sie im Fenster **Installation Type** (Installationsart) die Option **Typical** (Typisch) und klicken Sie auf **Next** (Weiter).



ANMERKUNG: Wenn das Fenster **Microsoft iSCSI-Initiator service not running** (Der Microsoft iSCSI-Initiator-Dienst wird nicht ausgeführt) angezeigt wird, klicken Sie auf **No** (Nein).

- 6 Klicken Sie im Fenster **Ready to install the components** (Bereit zur Installation der Komponenten) auf **Install** (Installieren).

Das Fenster **Installation Status** (Installationsstatus) und das Fenster **Software Update Installation Wizard** (Assistent für Software-Update-Installation) werden angezeigt.



ANMERKUNG: Wenn das Fenster **Microsoft Multipath I/O feature not detected** (Microsoft Multipath-E/A-Funktion nicht erkannt) angezeigt wird, klicken Sie auf **Yes** (Ja), um MS Multipath-E/A automatisch zu installieren.



ANMERKUNG: Wenn das Fenster **Microsoft iSCSI Initiator service not running** (Der Microsoft iSCSI-Initiator-Dienst wird nicht ausgeführt) angezeigt wird, klicken Sie auf **Yes** (Ja).



ANMERKUNG: Wenn das Fenster **iSCSI Initiator Properties** (iSCSI-Initiator-Eigenschaften) angezeigt wird, klicken Sie auf **Cancel** (Abbrechen). (Weitere Informationen über iSCSI finden Sie unter „Konfigurieren des Microsoft iSCSI-Initiators“ auf Seite 223.)

- 7 Wählen Sie im Fenster **Installation Complete** (Installation abgeschlossen) die Option **Launch Remote Setup Wizard**, (Remote-Setup-Assistent starten) und klicken Sie auf **Finish** (Fertig stellen).
- 8 Wählen Sie im Fenster **System Restart Required** (Neustart des Systems erforderlich) die Option **Yes, I want to restart my computer now** (Ja, ich möchte den Computer jetzt neu starten) und klicken Sie auf **OK**.

Nach Abschluss des Neustarts wird das Fenster **Remote Setup Wizard** (Remote-Setup-Assistent) angezeigt.

- 9 Wählen Sie die Option **Configure MPIO settings for this computer** (MPIO-Einstellungen für diesen Computer konfigurieren) und klicken Sie dann auf **Next** (Weiter).
- 10 Verschieben Sie die **iSCSI network subnets** (iSCSI-Subnetze) nach **Subnets included for MPIO** (Subnetze innerhalb MPIO).

- 11 Verschieben Sie alle anderen Subnetze nach Subnets excluded from MPIO (Subnetze außerhalb MPIO).



ANMERKUNG: Wenn Sie nicht alle Ihre Subnetze sehen, vergewissern Sie sich, dass der Microsoft iSCSI-Initiatordienst ausgeführt wird. Unter Umständen müssen Sie den **EqualLogic Remote Setup Wizard** (Remote-Setup-Assistent) neu starten, nachdem der iSCSI-Initiator gestartet ist.

- 12 Klicken Sie auf **Finish** (Fertig stellen).




ANMERKUNG: Es wird empfohlen, dass Sie den Standardwert für den Lastenausgleich auf **Geringste Warteschlangentiefe** setzen.


- 13 Wiederholen Sie Schritt 1 bis Schritt 9 auf allen anderen Hosts im Cluster.

Konfigurieren des Microsoft iSCSI-Initiators

- 1 Klicken Sie auf **Start** und geben Sie im Suchfeld den Begriff `iSCSI Initiator` ein. Klicken Sie in der Ergebnisliste auf **iSCSI-Initiator**.
- 2 Auf der Registerkarte **Ermittlung** des Fensters **Eigenschaften von iSCSI-Initiator** sollte die IP-Adresse der EqualLogic-Gruppenadresse bereits vom HIT-Toolkit besetzt worden sein.
- 3 Wenn die IP-Adresse der Gruppe auf der Registerkarte **Ermittlung** nicht angezeigt wird, klicken Sie auf **Portal ermitteln**.
 - a Geben Sie im Feld **IP-Adresse oder DNS-Name** die IP-Adresse der EqualLogic-Gruppe ein.
 - b Klicken Sie auf **Advanced** (Erweitert).
 - c Wählen Sie im Fenster **Erweiterte Einstellungen** den Eintrag **Microsoft iSCSI- Initiator** im Dropdown-Menü **Lokaler Adapter**.
 - d Wählen Sie eine IP-Adresse für den iSCSI-Initiator im Dropdown-Menü **Quell-IP**.
 - e Wenn Sie für die Volumeauthentifizierung nicht CHAP verwenden, springen Sie zu Schritt i, andernfalls fahren Sie fort.
 - f Wählen Sie **CHAP-Anmeldung aktivieren**.
 - g Geben Sie den CHAP-Benutzernamen, der im EqualLogic-Speicher definiert wurde, im Feld **Benutzername** ein.

- h** Geben Sie das CHAP-Kennwort, das im EqualLogic-Speicher definiert wurde, im Feld **Ziel-Kennwort** ein.
-  **ANMERKUNG:** Das CHAP-Kennwort muss mindestens 12 Zeichen lang sein.
- i** Klicken Sie auf **OK**.
- 4** Klicken Sie auf der Registerkarte **Ziele** des Fensters **Eigenschaften von iSCSI-Initiator** auf ein Volume, das für die Oracle-Datenbank erstellt wurde, und klicken Sie auf **Verbinden**.
- 5** Wählen Sie im Fenster **Mit Ziel verbinden** die beiden Optionen **Diese Verbindung der Liste der bevorzugten Ziele hinzufügen** und **Multipfad aktivieren** und klicken Sie auf **Erweitert**.
- 6** Nehmen Sie auf der Registerkarte **Allgemein** des Fensters **Erweiterte Einstellungen** die folgenden Konfigurationen vor:
 - a** Wählen Sie **Microsoft iSCSI-Initiator** im Dropdown-Menü **Lokaler Adapter**.
 - b** Wählen Sie eine **IP-Adresse für den iSCSI-Initiator** im Dropdown-Menü **Quell-IP**.
 - c** Wählen Sie **IP-Adresse der EqualLogic-Gruppe** im Dropdown-Menü **Zielportal**.
 - d** Wählen Sie die Option **CHAP-Anmeldeinformationen**.
 - e** Geben Sie den CHAP-Benutzernamen, der im EqualLogic-Speicher definiert wurde, im Feld **Benutzername** ein.
 - f** Geben Sie das CHAP-Kennwort, das im EqualLogic-Speicher definiert wurde, im Feld **Ziel-Kennwort** ein.
 - g** Klicken Sie auf **OK**.
- 7** Klicken Sie im Fenster **Am Ziel anmelden** auf **OK**.
- 8** Auf der Registerkarte **Ziele** im Fenster **Eigenschaften von iSCSI-Initiator** sollte der Status des verbundenen Volumes als **Verbunden** angezeigt werden.
- 9** Wiederholen Sie Schritt 3 bis Schritt 8, um sich für alle anderen iSCSI-Initiator-IP-Adressen am gleichen Volume anzumelden.
- 10** Wiederholen Sie Schritt 3 bis Schritt 9, um sich an allen anderen für die Datenbank erstellten Volumes anzumelden.
- 11** Wiederholen Sie Schritt 1 bis Schritt 9 auf allen anderen Hosts im Cluster.


Konfigurieren des Datenbankspeichers auf dem Hostsystem

 **WARNUNG:** Bevor Sie mit den in diesem Abschnitt beschriebenen Verfahren beginnen, lesen Sie zunächst die Sicherheitshinweise in der entsprechenden Dokumentation zum System. Weitere Informationen zu empfohlenen und bewährten Praktiken finden Sie unter dell.com/regulatory_compliance.


Oracle Real Application Clusters (RAC) erfordert eine geordnete Vorgehensweise. In den folgenden Abschnitten wird das Überprüfen, Anpassen und Konfigurieren der Speicherlaufwerke für Direct-Attach-SAS- oder iSCSI-Speicher auf dem Host beschrieben.

Überprüfen und Identifizieren der Speicherlaufwerke

Erstellen Sie bei der Clusterkonfiguration Partitionen auf dem Direct-Attach-SAS- oder iSCSI-Speichersystem. Um diese Partitionen erstellen zu können, müssen alle Clusterknoten die externen Speichergeräte erkennen.

 **ANMERKUNG:** Die Vorgehensweise in diesem Abschnitt beschreibt, wie Sie die Oracle-Datenbank für Direct-Attach-SAS bereitstellen können, wenn Direct-Attach-SAS oder iSCSI-Speicher (Dell PowerVault MD32xx, MD32xxi, oder Dell|EqualLogic-Speicherarray) verwendet wird.

Überprüfen der Zuordnung zwischen dem Speichersystem und den Knoten

- 1 Klicken Sie auf Start→Verwaltung→Server-Manager.
- 2 Klicken Sie im Fenster Server-Manager auf Geräte-Manager.
- 3 Blenden Sie Speicher ein und klicken Sie dann auf Datenträgerverwaltung.
 - a Klicken Sie mit der rechten Maustaste auf das Volume und klicken Sie auf Online.
 - b Klicken Sie im Fenster Datenträger initialisieren mit der rechten Maustaste auf das Volume, wählen Sie Initialisieren und klicken Sie auf OK.
 - c Wiederholen Sie Schritt a bis Schritt b für alle Volumes.
-  **ANMERKUNG:** Auf diese Weise stellen Sie sicher, dass die Datenträger als Basis-Datenträger (Basic) konfiguriert werden.
- 4 Vergewissern Sie sich, dass im Fenster Datenträgerverwaltung vier Datenträger angezeigt werden. Die Datenträger sollten im Vergleich untereinander und mit den LUNs, die den Knoten im Speichersystem zugeordnet sind, ähnlich groß sein.
- 5 Wiederholen Sie Schritt 1 bis Schritt 4 auf den verbleibenden Knoten.

Vorbereiten der Datenträger für Oracle Clusterware, Database und Backup

Dieser Abschnitt enthält Informationen zum Erstellen der logischen Laufwerke für die folgenden Datenträger:

- OCR-Datenträger (Oracle Cluster Registry) – Enthält die Clusterkonfigurationsinformationen
- Voting-Datenträger – Sorgt für Ausgleich zwischen den Clusterknoten, wenn das private Netzwerk oder das verbundene Speichersystem für einen oder mehrere Knoten nicht zugänglich ist
- Daten- und Sicherungsdattenträger – Stellen Speicherbereiche zum Erstellen der Datenbank (Datenlaufwerk) und zum Speichern der Datensicherungs- und Protokoll Daten (Datensicherungslaufwerk) bereit

Stellen Sie bei der in diesem Dokument beschriebenen Clusterkonfiguration sicher, dass die Clusterknoten die logischen Datenträger erkennen können, die in dem angeschlossenen Speichersystem erstellt werden, wenn Sie die Partitionen auf freigegebenem Speicher erstellen.

Um die Laufwerke für Oracle Clusterware vorzubereiten, identifizieren Sie die Datenträger für OCR, Voting, Daten und Flash-Wiederherstellung. Führen Sie nach der Identifizierung der jeweiligen Datenträger die folgenden Schritte auf Knoten 1 durch:

Aktivieren der Automount-Option für freigegebene Datenträger

- 1 Klicken Sie an Knoten 1 auf **Start**→**Ausführen**.
- 2 Geben Sie `cmd` ein und klicken Sie auf **OK**.
- 3 Geben Sie an der Eingabeaufforderung den Befehl `diskpart` ein und drücken Sie die <Eingabetaste>.
- 4 Geben Sie an der Eingabeaufforderung `DISKPART` den Befehl `automount enable` ein und drücken Sie die <Eingabetaste>.

Die folgende Meldung wird angezeigt: `Automatic mounting of new volumes enabled` (Automatisches Mounten neuer Volumes aktiviert).

- 5 Geben Sie an der `DISKPART`-Eingabeaufforderung den Befehl `exit` ein und drücken Sie die <Eingabetaste>.
- 6 Schließen Sie die Eingabeaufforderung.
- 7 Wiederholen Sie Schritt 1 und Schritt 5 auf jedem der verbleibenden Knoten.

Vorbereiten der OCR- und Voting-Datenträger für Clusterware, Datenbankdatenträger und Flash-Wiederherstellungsbereich für ASM-Datenspeicherung unter Windows 2008 R2 SP1

Verfahren Sie wie folgt, um erweiterte Partitionen und logische anzulegen:

- 1 Klicken Sie auf **Start**→**Ausführen**. Geben Sie `cmd` ein und drücken Sie die **<Eingabetaste>**. Daraufhin erscheint ein Fenster mit einer Eingabeaufforderung.
- 2 Geben Sie an der Eingabeaufforderung `diskpart` ein, um die `diskpart`-Schnittstelle zu starten.
- 3 Geben Sie den Befehl `list disk` ein, woraufhin die folgende Tabelle angezeigt wird:

Disk ###	Status	Größe	Frei	Dyn	GPT
Disk 0	Online	37 GB	0 MB	-	-
Disk 1	Online	2048 MB	2048 MB	-	-
Disk 2	Online	100 GB	100 GB	-	-
Disk 3	Online	200 GB	200 GB	-	-

- 4 Geben Sie `select disk [Nummer des Ziellaufwerks]` ein.



ANMERKUNG: Nachstehend wird das Anlegen von Partitionen und logischen Laufwerken für MBR-Datenträger beschrieben.

- 5 Geben Sie `create partition extended` ein und drücken Sie die **<Eingabetaste>**.
- 6 Geben Sie `create partition logical size=<Volumekapazität in Megabyte>` ein und drücken Sie die **<Eingabetaste>**.
- 7 Wiederholen Sie Schritt 4 bis Schritt 6 für alle Datenträger, die für Clusterware (OCR- und Voting-Datenträger) angegeben sind, und für alle Datenträger, die für Datenspeicherung bestimmt sind (Datenbankdatenträger und Flash-Wiederherstellungsbereich).

Entfernen der zugewiesenen Laufwerksbuchstaben

- 1 Klicken Sie auf **Start**→**Verwaltung**→**Server-Manager**.
- 2 Blenden Sie **Speicher** ein und klicken Sie dann auf **Datenträgerverwaltung**.
- 3 Wenn den Laufwerken, die Sie in „Vorbereiten der OCR- und Voting-Datenträger für Clusterware, Datenbankdatenträger und Flash-Wiederherstellungsbereich für ASM-Datenspeicherung unter Windows 2008 R2 SP1“ auf Seite 228 erstellt haben, bereits Laufwerksbuchstaben zugeordnet sind, führen Sie die folgenden Schritte durch:
 - a Klicken Sie mit der rechten Maustaste auf das logische Laufwerk und wählen Sie die Option **Laufwerksbuchstaben und -pfade ändern**.
 - b Wählen Sie den Laufwerksbuchstaben und klicken Sie auf **Entfernen**.
 - c Klicken Sie im Fenster **Bestätigen** auf **Ja**.
 - d Wiederholen Sie Schritt a bis Schritt c für die verbleibenden logischen Laufwerke der Speicherpartition.

Stichwortverzeichnis

B

Begriff
Gruppe, 215
Mitglied, 215
Pool, 215
Volume, 215

H

Hilfe, 176
Dell-Support, 176
Oracle-Support, 177

M

Modular Disk Storage
Manager, 199
MPIO-Software, 199

N

NIC
Port-Zuordnungen, 179

P

PowerConnect-Switch, 216

R

Resource-Medium
PowerVault MD3000, 199

S

SAS
Cluster-Einrichtung, 195, 205,
215, 225

V

Verkabelung
iSCSI-Cluster, 207
Volumes, 219

Dell PowerEdge システム
Microsoft Windows Server x64
で使用する Oracle データ
ベース

ストレージ & ネット
ワークガイド
バージョン 1.6



メモ、注意、警告



メモ：コンピュータを使いやすくするための重要な情報を説明しています。



注意：手順に従わないと、ハードウェアの損傷やデータの損失につながる可能性があることを示しています。



警告：物的損害、けが、または死亡の原因となる可能性があることを示しています。

本書の内容は予告なく変更されることがあります。

© 2011 すべての著作権は Dell Inc. にあります。

Dell Inc. の書面による許可のない複製は、いかなる形態においても厳重に禁じられています。

本書に使用されている商標：Dell™、DELL ロゴ、EqualLogic™、Optiplex™、PowerConnect™、PowerEdge™ および PowerVault™ は Dell Inc. の商標です。Broadcom™ は Broadcom Corp. の商標です。Intel® は米国およびその他の国における Intel の登録商標です。Oracle® は Oracle Corporation および / またはその関連会社の登録商標です。Microsoft®、Windows®、Windows Server® および Windows Server は米国その他の国における Microsoft Corporation の商標または登録商標です。

商標または製品の権利を主張する事業体を表すためにその他の商標および社名が使用されていることがあります。それらの商標や会社名は、一切 Dell Inc. に帰属するものではありません。

目次

1	概要	239
	Dell Oracle 11g R2 Database の導入に必要なマニュアル	239
	本書で使用されている用語	240
	困ったときは	240
	デルサポート	240
	Oracle のサポート	240
2	ネットワークの設定	241
	ネットワークアダプタのために IPv6 を無効にする	241
	プライベートネットワークアダプタ用の NIC チーム化の設定	242
	パブリックおよびプライベートネットワークアダプタ用の IP アドレスの設定	245
	IP アドレスと名前を解決するための要件	247
	GNS を使用するクラスタの場合	247
	DNS を使用するクラスタの場合	250
	IPMI を有効にする	252
	IPMI を有効にするための前提条件	252
	管理システムの設定	253
	ベースボード管理コントローラの設定	253

3	Dell PowerVault ストレージエンクローチャ用の SAS クラスタのセットアップ	257
	ハードウェアのセットアップ	259
	ホストベースのストレージソフトウェアのインストール	261
	ファームウェアの確認とアップグレード	261
	SAS HBA Adapter ドライバのインストール	261
	ホストベースのストレージソフトウェアのインストール	262
	MD ストレージソフトウェアのインストール	262
	インストール後のタスク	264
	ストレージレイ検知の検証	265
4	Dell PowerVault ストレージエンクローチャ用の iSCSI クラスタのセットアップ	267
	ハードウェアのセットアップ	269
	ストレージに必要なホストベースソフトウェアのインストール	273
	ファームウェアの確認とアップグレード	273
	Dell PowerVault MD32xxi /MD12xx ストレージエンクローチャ用の iSCSI クラスタのセットアップ	274
	ハードウェアのセットアップ	274
	ホストベースのストレージソフトウェアのインストール	274

5	Dell EqualLogic PS シリーズのストレージシステム用の iSCSI クラスタのセットアップ	277
	EqualLogic の用語	277
	EqualLogic iSCSI ストレージシステムのセットアップ	278
	ボリュームの作成	281
	iSCSI ネットワークの設定	282
	ホストからボリュームへのアクセスの設定	283
6	ホストのデータベースストレージの設定	289
	ストレージディスクの検証と識別	289
	ノードに対するストレージの割り当ての確認	289
	Oracle Clusterware、データベース、バックアップ用のディスクの準備	290
	共有ディスクの自動マウントオプションの有効化	290
	Windows 2008 R2 SP1 上で ASM を使用したデータベースストレージ用のクラスタウェア、データベースディスク、フラッシュリカバリ領域用の OCR と投票ディスクの準備	291
	割り当て済みのドライブ文字の削除	292
	索引	293

概要

本書は、Microsoft Windows Server 2008 R2 SP1 をインストールしたシステムで Dell|Oracle データベースを実行するためのネットワークの設定とストレージの要件を概説したものです。本書で説明する手順は、Microsoft Windows Server x64 上で実行する Oracle Database 11g R2 に適用されます。お使いのシステムでサポートされているネットワークとストレージの構成のリストについては、dell.com/oracle にアクセスし、**Dell Validated Components** (Dell 承認のコンポーネント) を選択してください。

Dell|Oracle 11g R2 Database の導入に必要なマニュアル

Dell|Oracle データベースインストールマニュアルセットには、『Dell PowerEdge システム — Microsoft Windows Server x64 で使用する Oracle データベース — ストレージ & ネットワークガイド』のほかに、以下のガイドが含まれています。

- 『Dell PowerEdge システム — Microsoft Windows Server x64 で使用する Oracle データベース — OS のインストールとハードウェアの取り付けガイド』— 最低限必要なソフトウェアとハードウェアのバージョン、OS のインストールと設定の方法、ハードウェアとソフトウェアの構成を確認する方法、オープンソースファイルの入手方法について説明しています。
- 『Dell PowerEdge システム — Microsoft Windows Server x64 で使用する Oracle データベース — データベースセットアップ & インストールガイド』— Oracle データベースのインストールと設定の方法について説明しています。
- 『Dell PowerEdge システム — Microsoft Windows Server x64 で使用する Oracle データベース — トラブルシューティングガイド』— 前の分冊で説明されているインストール手順中に発生するエラーの解決方法について説明しています。

本書で使用されている用語

本書では、「ボリューム」および「仮想ディスク」という語が使われています。これらの用語は同義語であり、どちらを使用しても構いません。「ボリューム」は Dell EqualLogic iSCSI ストレージシステムの環境で、「仮想ディスク」は Dell PowerVault SAS および iSCSI (Dell PowerVault MD3000/MD32xx/MD36xxi および Dell PowerVault MD3000i/MD32xxi + Dell PowerVault MD1000/MD12xx 拡張) ストレージの環境で、通常使われる用語です。

困ったときは

デルサポート

- システムの使い方の詳細については、システムコンポーネントに付属のマニュアルを参照してください。
- 各種のホワイトペーパー、デルがサポートする設定、一般情報については、**dell.com/oracle** を参照してください。
- ハードウェアおよび OS ソフトウェアに対するデルのテクニカルサポート、およびアップデートのダウンロードについては、**support.dell.com** を参照してください。
- デルが実施している企業向けのトレーニングについては、**dell.com/training** を参照してください。




メモ：なお、トレーニングサービスを提供していない地域がありますのでご了承ください。

Oracle のサポート

- Oracle ソフトウェアおよびアプリケーションクラスタウェアのトレーニング、および Oracle へのお問い合わせの方法については、**oracle.com** または Oracle のマニュアルを参照してください。
- テクニカルサポート、ダウンロード、その他の技術情報については、**support.oracle.com** を参照してください。
- Oracle のインストールと設定については、**support.dell.com/manuals** で『Oracle Dell PowerEdge システム — Microsoft Windows Server x64 で使用する Oracle データベース — データベースセットアップ & インストールガイド』を参照してください。

ネットワークの設定

本項では、パブリックおよびプライベートクラスタのネットワークを設定する方法について説明します。

 **メモ**：クライアント接続および接続のフェイルオーバーのために、固有のパブリックおよびプライベート IP アドレスを1つと、仮想 IP アドレスとしての機能を果たす追加のパブリック IP アドレスを1つ、各ノードに設定する必要があります。仮想 IP アドレスはパブリック IP アドレスと同じサブネットに属していなければなりません。仮想 IP アドレスを含むすべてのパブリック IP アドレスは、ドメインネームサービス (DNS) に登録する必要があります。DNS サーバーが利用できない場合は、IP アドレスをすべてのクラスタノード上のホストファイルに登録する必要があります。

利用可能な NIC ポートの数に応じて、表 2-1 に示すとおりインタフェースを設定します。

表 2-1 NIC のポート割り当て

NIC ポート	利用可能なポート
1	パブリック IP、仮想 IP、およびシングルクライアントアクセス名 (SCAN) IP
2	プライベート IP (NIC チーム)
3	プライベート IP (NIC チーム)

ネットワークアダプタのために IPv6 を無効にする

IPv6 は Grid Infrastructure で認証されていないため、Grid Infrastructure をインストールする前に無効にする必要があります。

すべてのノードで IPv6 を無効にするには、以下の手順を実行します。

- 1 スタート → 管理ツール → サーバーマネージャ の順にクリックします。
- 2 サーバーマネージャ ウィンドウで、**Diagnostics** (診断) を展開します。

- 3 **デバイスマネージャ** → **View** (表示) → **Show hidden devices** (非表示のデバイスの表示) の順にクリックします。
Microsoft フェイルオーバークラスタアダプタおよびすべてのトンネルアダプタ (Microsoft ISATAP、6to4、Teredo) が無効になります。
- 4 **Regedit** を開き、レジストリをバックアップします。
- 5 **HKEY_LOCAL_MACHINE\SYSTEM\CurrentControlSet\Services\Tcpip6\Parameters** に移動します。
- 6 **DisabledComponents** をダブルクリックして修正します。リストに値がない場合は、**Edit** (編集) → **New** (新規) → **DWORD (32-bit) Value** (DWORD (32 ビット) 値) の順にクリックします。
- 7 **DisabledComponents** と入力し、**<Enter>** を押します。
- 8 **0xffffffff** という **DWORD** 値を入力します。
IPv6 ループバックインタフェースを除くすべての IPv6 コンポーネントが無効になりました。


プライベートネットワークアダプタ用の NIC チーム化の設定

- 1 ノード 1 で、NIC チーム化に使用される 2 つのネットワークアダプタを確認します。
- 2 選択した各ネットワークアダプタとプライベートネットワークスイッチをイーサネットケーブルで接続します。
- 3 ノード 1 が Broadcom NIC で構成されている場合は、手順 4 を参照してください。ノード 1 が Intel NIC で構成されている場合は、次の手順で NIC のチーム化を設定します。
 - a **スタート** → **管理ツール** → **サーバーマネージャ** の順にクリックします。
 - b **サーバーマネージャ** ウィンドウで、**デバイスマネージャ** を選択します。
 - c **ネットワークアダプタ** タブを展開します。
 - d NIC のチーム化用として特定された Intel NIC を右クリックし、**Properties** (プロパティ) を選択します。
 - e **Teaming** (チーム化) タブをクリックします。

- f **Team with other Adapters** (その他のアダプタとチーム化する) を選択し、**New Team** (新規チーム) を選択します。
 - g NIC チームの名前を指定し、**Next** (次へ) をクリックします。
 - h **Select the adapters to include in this team box** (このチームに含めるアダプタを選択します) のボックスで、NIC チーム化用として識別された残りのネットワークアダプタを選択し、**Next** (次へ) をクリックします。
 - i **Select a team mode** (チームモードの選択) で、**Adaptive Load Balancing** (アダプティブ負荷バランシング) を選択します。
 - j **Finish** (完了) をクリックしてチーム化を完了します。
 - k **Team Properties** (チームのプロパティ) ウィンドウで **OK** をクリックします。
 - l Intel NIC の **Properties** (プロパティ) ウィンドウで、**OK** をクリックします。
 - m **Computer Management** (コンピュータの管理) ウィンドウを閉じます。
- 4 ノード 1 が Broadcom NIC で構成されている場合は、次の手順で NIC のチーム化を設定します。そうでない場合は 手順 5 に進みます。
- a **スタート** → **すべてのプログラム** → **Broadcom** → **Broadcom Advanced Control Suite 3** の順にクリックします。
Broadcom Advanced Control Suite 3 ウィンドウが表示されます。
 - b **Team Management** (チームの管理) を選択し、**Teams** (チーム) を右クリックして **Create a Team** (チームの作成) を選択します。
Broadcom Teaming Wizard (Broadcom チーム化ウィザード) ウィンドウが表示されます。
 - c **Next** (次へ) をクリックします。
 - d **Enter the name for the team** (チームの名前を入力します) フィールドで、**Private** と入力し、**Next** (次へ) をクリックします。


- e **Team Type** (チームタイプ) フィールドで、**Smart Load Balancing (TM) and Failover (SLB)** (Smart Load Balancing (TM) とフェイルオーバー (SLB)) を選択し、**Next** (次へ) をクリックします。
- f **Assigning Team Members** (チームメンバーの割り当て) ウィンドウの **Available Adapters** (利用可能なアダプタ) ボックスから、NIC チーム化用として識別されたネットワークアダプタを選択し、**Team Members** (チームメンバー) ボックスに追加します。
このアダプタをチームに含めると、システム管理機能に障害が発生します。
- g **Yes** (はい) をクリックして続行します。
- h **Next** (次へ) をクリックします。
- i **Designating a Standby Member** (スタンバイメンバーの指定) ウィンドウで、**NIC** を選択するか、または **NIC** を選択しない場合は、**Do not configure a standby member** (スタンバイメンバーを指定しない) を選択します。
- j **Configuring Live Link** (Live Link の設定) ウィンドウで、**No** (いいえ) を選択し、**Next** (次へ) をクリックします。
- k **VLAN Support** (VLAN のサポート) ウィンドウで、設定の必要な VLAN があれば **Add VLAN** (VLAN の追加) を選択し、そうでない場合は **Skip manage VLAN** (VLAN の管理を省略する) を選択します。
- l 最後のウィンドウで **Preview** (プレビュー) をクリックし、NIC チームとアダプタを確認します。確認を終えたら、**Commit changes to system** (変更をシステムに適用する) を選択し、ウィザードを終了します。
- m **Finish** (完了) をクリックします。
- n 情報メッセージウィンドウで **Yes** (はい) をクリックして続行します。
- o **Broadcom Advanced Control Suite 3** ウィンドウで、**File** (ファイル) → **Exit** (終了) の順にクリックします。

- 5 手順 1～手順 4 を残りのノードで繰り返します。



 **メモ**：プライベートネットワーク用の 2 個のボンディング済み NIC ポートは、それぞれ別々の PCI バス上に置くことをお勧めします。たとえば、ボンディング済みのペアは、1 枚のオンボード NIC (LOM) カードと 1 枚のアドオン NIC カードで構成される場合があります。

パブリックおよびプライベートネットワークアダプタ用の IP アドレスの設定

- 1 必要に応じて、アダプタのネットワークインタフェース名をアップデートします。それ以外の場合は、手順 2 に進んでください。
 - a ノード 1 で、**スタート** → **管理ツール** → **サーバermanage** → **ネットワーク接続を表示する** の順にクリックします。
 - b **ネットワーク接続** ウィンドウで、名前を変更するパブリックネットワークアダプタを右クリックし、**名前の変更** を選択します。

 **メモ**：すべてのクラスタノードでパブリックアダプタとプライベートアダプタに同一の名前を使用しないと、Oracle データベースのインストーラでエラーが発生し、インストール手順を完了することができません。クラスタノードにネットワークアダプタを設定する際には、パブリックアダプタとプライベートアダプタに同一の名前を使用することを強くお勧めします。

 - c パブリックアダプタ名を `Public` に変更し、**<Enter>** を押します。
 - d 名前を変更するプライベート NIC チームを右クリックし、**名前の変更** を選択します。
 - e プライベート NIC チームの名前を `Private` に変更し、**<Enter>** を押します。
- 2 IP アドレスを設定します。
 - a **スタート** → **管理ツール** → **サーバermanage** → **ネットワーク接続を表示する** → **パブリック** → **プロパティ** の順にクリックします。
 - b **インターネットプロトコル (TCP/IP)** をダブルクリックします。

- c 次の **IP アドレスを使う** をクリックし、必要な IP アドレス、デフォルトゲートウェイアドレス、および DNS サーバーの IP アドレスを入力し、**OK** をクリックします。
 - d **OK** をクリックします。
 - e プロパティ ウィンドウで、**閉じる** をクリックします。
 - f プライベート NIC チームで手順 a ~ 手順 e を繰り返します。
-  **メモ**：プライベート NIC チームでは、デフォルトゲートウェイアドレスと DNS サーバー項目は不要です。
- 3 パブリックおよびプライベートネットワークアダプタが、ネットワークサービスによってアクセスできる適切な順序で表示されていることを確認します。
- a **Windows** サーバー上で、**スタート** → **Search programs and files** (プログラムとファイルの検索) 検索ボックスの順にクリックし、**View network connections** と入力します。検索結果の中の **View network connections** をクリックします。
 - b **Network Connections** (ネットワーク接続) ウィンドウで **Organize** (整理) → **Layout** (レイアウト) → **Menu Bar** (メニューバー) の順にクリックし、次に **Advanced** (詳細) をクリックして **Advanced Settings** (詳細設定) を選択します。
 - c **Adapter and Bindings** (アダプタとバインド) タブを選択します。
 - d ネットワークアダプタが次の順序で表示されていることを確認します。
 - Public (パブリック)
 - Private (プライベート)
 - < その他のネットワークアダプタ >
-  **メモ**：アダプタの順序を変更するには、上下の矢印をクリックしてください。
- e IPv4 の優先順位を IPv6 よりも上にします。
 - f **OK** をクリックします。
 - g **Network Connections** (ネットワーク接続) ウィンドウを閉じます。
- 4 手順 1 ~ 手順 4 を残りのノードで繰り返します。

- 5 クラスタノードがパブリックおよびプライベートネットワークと通信できることを確認します。


- a ノード 1 で、コマンドプロンプトウィンドウを開きます。
- b コマンドプロンプトで、次のコマンドを入力します。


```
ping <public_host_name>
```

```
ping <private_host_name>
```

<パブリックホスト名> と <プライベートホスト名> は、もう 1 つのノードにおけるパブリックおよびプライベートネットワークアダプタのホスト名です。

ノードのネットワークアダプタが ping コマンドに反応しない場合は、ネットワーク設定を確認し、この手順を繰り返します。

 **メモ**：Windows Server 2008 R2 SP1 では、Windows ファイアウォールがデフォルトでオンに設定されており、そのために静的 IP で ping コマンドが失敗します。他のノードへの ping を可能にするには、Windows ファイアウォールを無効にしてください。

 **メモ**：仮想インターネットプロトコル (VIP) の設定は後で行われます。この時点では ping コマンドによる確認ができません。

- c 手順 a ~ 手順 b を残りのノードで繰り返します。

IP アドレスと名前を解決するための要件

GNS を使用するクラスタの場合

Oracle Global Naming Server (GNS) を使用して Oracle 11g R2 Remote Access Control をセットアップするには、以下の要件を満たしている必要があります。

- 各ノードで少なくとも 2 つのインタフェース（プライベート IP アドレス用とパブリック IP アドレス用）が設定されていること。
- GNS の仮想 IP アドレスのアドレス解決のために、ネットワーク内でドメインネームサーバー (DNS) が実行されていること。
- サブドメインの DNS 解決をクラスタにダイレクトするための DNS 参照を確立する DNS エントリがあること。

- クラスタのパブリックネットワーク上で DHCP サービスが実行されていること。
- 各ノードの仮想 IP に 1 つの IP アドレスを、SCAN が使用するクラスタ用に 3 つの IP アドレスを提供するために、DHCP に十分なアドレスがあること。

1 つのクラスタ内のさまざまなインタフェース、IP アドレスの設定、および解決を表 2-2 に示します。

表 2-2 GNS を使用したクラスタ内の IP アドレス設定

インタフェース	タイプ	解決
パブリック	静的	%SystemRoot%\system32\drivers\etc\hosts
プライベート	静的	不要
ノードの仮想 IP	DHCP	GNS
GNS の仮想 IP	静的	DNS
SCAN の仮想 IP	DHCP	GNS

DNS サーバーの設定

GNS を使用して DNS サーバーを設定するには、以下の手順を実行します。

- 1 DNS サーバーの GNS VIP アドレスを設定する — DNS で、前方参照ゾーン内に GNS 仮想 IP アドレス用の名前解決エントリを作成します。
 - a **DNS manager** (DNS マネージャ) を開きます。
 - b **DNS server** (DNS サーバー) → **Forward Lookup Zones** (前方参照ゾーン) → **DNS Domain** (DNS ドメイン) の順にクリックします。
 - c **DNS domain** (DNS ドメイン) を右クリックし、**New Host (A or AAAA)** (新しいホスト (A または AAAA)) を選択します。
 - d **New Host** (新しいホスト) ウィンドウに GNS 仮想 IP アドレス用の名前と IP アドレスを入力します。
 - e **Add Host** (ホストの追加) をクリックします。
 - f **OK** をクリックします。

- g **New Host** (新しいホスト) ウィンドウで **Done** (完了) をクリックします。

たとえば、次のとおりです。gns-server Host A
192.0.2.2

gns-server は、グリッドのインストール中に与えた GNS 仮想 IP アドレスです。与えるアドレスはルータブルで、パブリックレンジ内にある必要があります。たとえば、192.0.2.2 と入力します。

- 2 GNS サブドメインの委任を設定する — DNS サーバー内で、GNS サブドメインの DNS 解決をクラスタにダイレクトする DNS 参照を確立します。DNS マネージャを開き、以下の手順を実行します。

- a **DNS server** (DNS サーバー) → **Conditional Forwarders** (条件付きフォワーダ) の順にクリックします。
- b **Conditional Forwarders** (条件付きフォワーダ) を右クリックし、**New Conditional Forwarder** (新規条件付きフォワーダ) を選択します。
- c **New Conditional Forwarders** (新規条件付きフォワーダ) ウィンドウで、GNS サブドメインと GNS VIP アドレス (グリッドのインストール中に入力が必要) を入力します。
例: clusterdomain.subdomain.com (GNS Sub-domain) 192.0.2.2 (手順 1 で設定した GNS VIP)
- d **OK** をクリックします。
- e DNS サービスを再起動します。

ホスト名解決の設定

%SystemRoot%\system32\drivers\etc\hosts ファイルのドメイン名内にホストエントリを追加します。各ノードで、

%SystemRoot%\system32\drivers\etc\hosts ファイルに以下のように入力して各行を修正します。

```
127.0.0.1 localhost
```

```
<public IP node1> <public hostname node1>
```

```
<public IP node2> <public hostname node2>
```

DNS を使用するクラスタの場合

Oracle DNS を使用して（GNS を使用せずに）Oracle 11g R2 RAC をセットアップするには、以下の手順を行う必要があります。

- 1 各ノードで少なくとも 2 つのインタフェース（プライベート IP アドレス用とパブリック IP アドレス用）を設定します。
- 2 ラウンドロビン解決を実行する DNS に対して SCAN 名を 3 つのアドレス（推奨）または少なくとも 1 つのアドレスに設定します。SCAN アドレスは、仮想 IP アドレスおよびパブリック IP アドレスと同じサブネット上に設定する必要があります。



メモ： 可用性とスケーラビリティを高めるために、3 つの IP アドレスに対してラウンドロビン解決を使用するように SCAN を設定することをお勧めします。SCAN 用の名前は先頭を数字にすることができません。インストールを成功させるには、SCAN が少なくとも 1 つのアドレスを解決するように設定しておく必要があります。

1 つのクラスタ内のさまざまなインタフェース、IP アドレスの設定、および解決を表 2-3 に示します。

表 2-3 DNS を使用したクラスタ内の IP アドレス設定

インタフェース	タイプ	解決
パブリック	静的	%SystemRoot%\system32\drivers\etc\hosts または DNS
プライベート	静的	不要
ノードの仮想 IP	静的	%SystemRoot%\system32\drivers\etc\hosts または DNS
SCAN の仮想 IP	静的	DNS

DNS サーバーの設定

DNS を使用して（GNS を使用せずに）Oracle 11g R2 クラスタ用に DNS サーバーに変更を設定するには、次の手順を実行します。

- 1 DNS サーバー上で SCAN 名解決を設定します。
- 2 DNS 内で、前方参照ファイル内に GNS 仮想 IP アドレス用の名前解決エントリを作成します。
- 3 **DNS manager**（DNS マネージャ）を開きます。
- 4 **DNS server**（DNS サーバー）→ **Forward Lookup Zones**（前方参照ゾーン）→ **DNS Domain**（DNS ドメイン）の順にクリックします。
- 5 **DNS domain**（DNS ドメイン）を右クリックし、**New Host (A or AAAA)**（新しいホスト（A または AAAA））を選択します。
- 6 **New Host**（新しいホスト）ウィンドウに GNS 仮想 IP アドレス用の名前と IP アドレスを入力します。
- 7 **Add Host**（ホストの追加）をクリックします。
- 8 **OK** をクリックします。
- 9 同じ SCAN 名で 3 つの仮想 IP / ホストを追加します。
- 10 **New Host**（新しいホスト）ウィンドウで **Done**（完了）をクリックします。
たとえば、次のとおりです。

```
scancluster Host A 192.0.2.1
```

```
scancluster Host A 192.0.2.2
```

```
scancluster Host A 192.0.2.3
```

scancluster はグリッドのインストール中に入力した SCAN 名です。



メモ：SCAN IP アドレスはルータブルで、パブリックレンジ内にある必要があります。

ホスト名解決の設定

名前解決のためにクラスタノード上で必要な変更を設定するには、以下の手順を実行します。

- 1 **%SystemRoot%\system32\drivers\etc\hosts** ファイルにホストエントリを追加します。
- 2 各ノードで、**%SystemRoot%\system32\drivers\etc\hosts** ファイルに以下のように入力して各行を修正します。

```
127.0.0.1 localhost
<public IP node1> <public hostname node1>
<public IP node2> <public hostname node2>
<virtual IP node1> <virtual hostname node1>
<virtual IP node2> <virtual hostname node2>
```

IPMI を有効にする

IPMI (Intelligent Platform Management Interface) により、ハードウェアとファームウェアに一連の共通のインタフェースが提供され、システム管理者はそれを使用してシステムの状態を監視し、システムを管理することができます。Oracle 11g R2 では、Oracle Clusterware が IPMI を統合して、エラーの分離をサポートし、クラスタの整合性を確保することができます。

IPMI を有効にするための前提条件

各クラスタノードには、ベースボード管理コントローラ (BMC) が必要で、IPMI バージョン 1.5 以降に対応したファームウェアが実行され、LAN を使用してリモート制御できるように設定されている必要があります。Dell OpenManage ユーティリティメディアを使用して BMC DRAC ユーティリティをインストールしてください。



メモ：IPMI 専用の管理ネットワーク (DRAC ポート) を使用することをお勧めします。

管理システムの設定

BMC 管理ユーティリティを使用する前に、BMC へのアクセスを有効にするために、実行する機能に応じて、必要なシステム BIOS、ネットワーク、IPMI 暗号化キー、シリアル接続設定など、特定の項目を設定します。

BMC 管理ユーティリティを活用するには、管理ステーションとターゲット BMC のポートの間に有効な接続が必要です。本項では、**BMC 管理ユーティリティ**を使用して BMC へのアクセスと管理を行うための準備に必要な基本手順を説明します。

ベースボード管理コントローラの設定

システムの起動中に Remote Access Configuration Utility (リモートアクセス設定ユーティリティ) を使用して BMC の基本的な設定を実行できます。

```
143.166.131.171 - Avocent Session Viewer
Remote Access Configuration Utility
Copyright 2006 Dell Inc. All Rights Reserved 0.10

Baseboard Management Controller Revision          0.24
Remote Access Controller Revision (Build 05.11.09) 1.0
Primary Backplane Firmware Revision              0.11

IPMI Over LAN ..... On
NIC Selection ..... Dedicated
LAN Parameters ..... <ENTER>
Advanced LAN Parameters ..... <ENTER>
Virtual Media Configuration ..... <ENTER>
LAN User Configuration ..... <ENTER>
Reset To Default ..... <ENTER>
System Event Log Menu ..... <ENTER>
```

Remote Access Configuration Utility (リモートアクセス設定ユーティリティ) の起動

- 1 システムの電源を入れるか、再起動します。
- 2 POST 後、画面の指示に従って <Ctrl><E> を押します。

<Ctrl><E> を押す前に OS のロードが開始された場合は、システムの起動が完了するのを待ってから、もう一度システムを再起動し、この手順を実行してください。

Remote Access Configuration Utility (リモートアクセス設定ユーティリティ) のオプション

Remote Access Configuration Utility (リモートアクセス設定ユーティリティ) のオプションと、管理システム上で BMC を設定する方法を表 2-4 に示します。設定をすべて入力したら、<Esc> を押して以下のいずれかを選択してください。

- **Save Changes and Exit** (変更を保存して終了) — **Remote Access Configuration Utility** (リモートアクセス設定ユーティリティ) で入力したエントリをすべて保存します。
- **Discard Changes and Exit** (変更を破棄して終了) — **Remote Access Configuration Utility** (リモートアクセス設定ユーティリティ) で入力したエントリをすべて破棄します。
- **Return to Setup** (セットアップへ戻る) — **Remote Access Configuration Utility** (リモートアクセス設定ユーティリティ) を引き続き使用します。

表 2-4 Remote Access Configuration Utility (リモートアクセス設定ユーティリティ)

オプション	説明
IPMI Over LAN	有効にします。
NIC Selection	専用。 Remote Access Controller 上で利用できる専用のネットワークインタフェースを活用するために、リモートアクセスデバイスを有効にします。このインタフェースはホストの OS とは共有されず、システム管理トラフィックを別の物理ネットワークに転送することで、アプリケーションのトラフィックから分離できます。 メモ: このオプションは、システムに DRAC が取り付けられている場合にのみ使用可能です。

表 2-4 Remote Access Configuration Utility (リモートアクセス設定ユーティリティ) (続き)

オプション	説明
LAN Parameters	
IP Address Source	ネットワークコントローラに静的 IP アドレスまたは DHCP アドレスが割り当てられます。
Ethernet IP Address	<p>BMC の静的 IP アドレス。このフィールドの最大値は 255.255.255.255 に制限されています。</p> <p>次の IPv4 ルールが適用されます。</p> <ul style="list-style-type: none"> IP アドレスに 127.xxx.xxx.xxx は設定できない (xxx は 0 ~ 255 の数字)。 最初のオクテットは 1 ~ 223 (たとえば、143.xxx.xxx.xxx) の数字である必要があります。 <p>メモ : BMC が DHCP サーバーに接続できない場合、IP アドレス 169.254.0.2 サブネットマスク 255.255.0.0 が返されます。</p>
Subnet Mask	<p>静的 IP アドレスのサブネットマスク。</p> <p>メモ : BMC が DHCP サーバーに接続できない場合、IP アドレス 169.254.0.2 サブネットマスク 255.255.0.0 が返されます。</p>
Default Gateway	静的 IP アドレスの IP ゲートウェイ。
LAN User Configuration	ユーザー ID=2 のユーザー名、ユーザーパスワード、ユーザー特権の設定を可能にし、ユーザーアクセスを有効にします。
Account Access	有効になっています。
Account Privilege	アカウントを Admin に設定します。
Account User Name	アカウントユーザー名を割り当てます。
Enter Password	このアカウントユーザーのパスワードを入力します。Null 以外の文字を少なくとも 1 文字入力する必要があります。
Confirm Password	パスワードを確認のために再度入力します。



メモ：最初のオンボード NIC (NIC 1) が Ether Channel チームまたはリンクアグリゲーションチームで使用されている場合、BMC 管理トラフィックは PowerEdge *x8xx* システムで動作しません。NIC のチーム化のオプションは、PowerEdge *x9xx* および *xx0x* システムでのみサポートされています。ネットワークチーム化の詳細については、ネットワークインタフェースコントローラのマニュアルを参照してください。

- **bmc info** コマンドを使用して、クラスタ内のリモートノードから BMC がアクセスおよび制御可能なことを確認します。

たとえば、*node2* 用の BMC に割り当てられているネットワークホスト名が *node2-ipmi* である場合、*node1* から *node2* 上の BMC を確認するには、*node1* で次のコマンドを入力します。

```
$ ipmitool -H node2-ipmi -U bmcuser -P password  
bmc info
```

root を Administrator アカウントとして、*calvin* をパスワードとして使用します。

BMC が正しく設定されていれば、リモートノード上の BMC に関する情報が表示されます。**Error: Unable to establish LAN session** (エラー：LAN セッションを確立できません) のようなエラーメッセージが表示された場合は、リモートノード上の BMC 設定をチェックしてください。

Dell PowerVault ストレージエン クロージャ用の SAS クラスタの セットアップ

⚠ 警告：本項の手順を開始する前に、システムに付属しているガイドの安全にお使いいただくための注意事項をお読みください。ベストプラクティスの詳細については、dell.com/regulatory_compliance を参照してください。

Oracle RAC (Real Application Cluster) 環境で機能するように Dell PowerEdge システムと Dell PowerVault MD32xx/MD12xx ストレージエンクロージャを設定するには、次の手順を実行します。

- 1 図 3-1、図 3-2 および表 3-1 を参照して、ハードウェアとソフトウェアの構成を確認してください。
- 2 259 ページの「ハードウェアのセットアップ」の手順に従って作業します。

△ 注意：PowerVault MD32xx ストレージレイのファームウェアをアップグレードする前に、必ずデータをバックアップしてください。

図 3-1 SAS (シリアル接続 SCSI) クラスタと Dell PowerVault MD32xx ストレージエンクロージャのケーブル接続

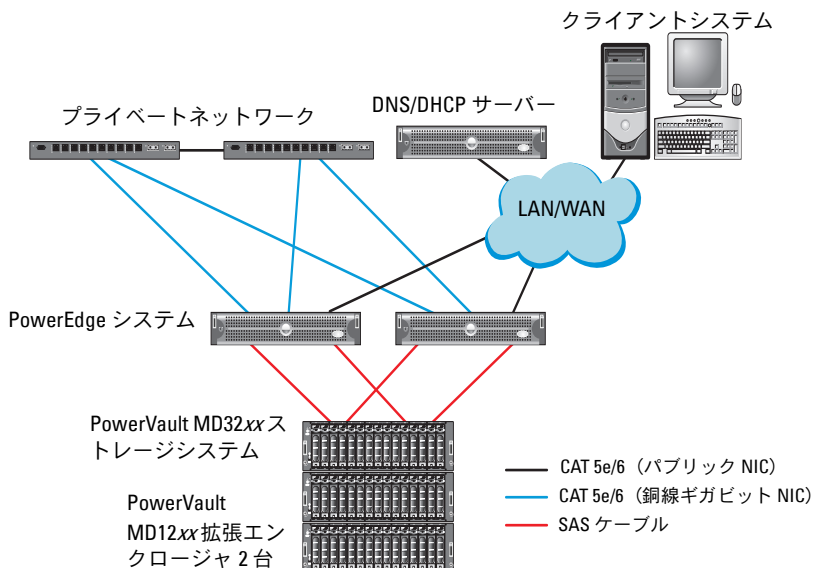


表 3-1 SAS クラスタハードウェアの相互接続

クラスタのコンポーネント	接続
PowerEdge システムノード	<ul style="list-style-type: none"> • CAT 5e/6 ケーブル 1 本をパブリック NIC から LAN に接続 • CAT 5e/6 ケーブル 1 本をプライベートギガビット NIC からギガビットイーサネットスイッチに接続 (プライベートネットワーク) • CAT 5e/6 ケーブル 1 本を冗長プライベートギガビット NIC から冗長ギガビットイーサネットスイッチに接続 (プライベートネットワーク) • 6 Gbps SAS HBA 経由で PowerVault MD32xx システムノードに対して 2 本の SAS 接続

表 3-1 SAS クラスタハードウェアの相互接続（続き）

クラスタのコンポーネント	接続
PowerVault MD32xx ストレージエンクロージャ	<ul style="list-style-type: none"> • CAT 5e/6 ケーブル 2 本を LAN に接続（各ストレージプロセッサモジュールから 1 本ずつ） • SAS 6/E ケーブルで各 PowerEdge システムノードに対して 2 本の SAS 接続 <p>メモ： PowerVault MD32xx ストレージエンクロージャの相互接続の詳細については、259 ページの「ハードウェアのセットアップ」を参照してください。</p>
PowerVault MD12xx ストレージエンクロージャ（オプション）	PowerVault MD12xx 拡張エンクロージャの必要に応じて SAS ケーブルの接続を追加

ハードウェアのセットアップ

SAS クラスタは直接接続クラスタ内にものみ取り付け可能で、2 ノードまでに限定されます。

ノードを直接接続構成に設定するには、以下の手順に従います。

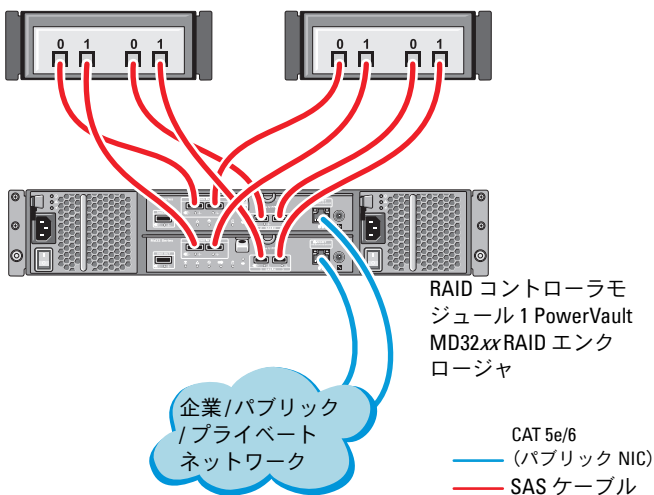
- 1 ノード 1 の SAS コントローラのポートと PowerVault MD32xx ストレージエンクロージャ内の RAID コントローラ 0 の **In-0** ポートを 1 本の SAS ケーブルで接続します。
- 2 ノード 1 の SAS コントローラのもう一方のポートと PowerVault MD32xx ストレージエンクロージャ内の RAID コントローラ 1 の **In-0** ポートを 1 本の SAS ケーブルで接続します。
- 3 ノード 2 の SAS コントローラのポートと PowerVault MD32xx ストレージエンクロージャ内の RAID コントローラ 0 の **In-1** ポートを 1 本の SAS ケーブルで接続します。
- 4 ノード 2 の SAS コントローラのもう一方のポートと PowerVault MD32xx ストレージエンクロージャ内の RAID コントローラ 1 の **In-1** ポートを 1 本の SAS ケーブルで接続します。
- 5 必要に応じて、PowerVault MD32xx ストレージエンクロージャの 2 個の出力ポートと 1 台目の PowerVault MD12xx 拡張エンクロージャの 2 個の入力ポートを 2 本の SAS ケーブルで接続します。

- 6 必要に応じて、PowerVault MD12xx ストレージエンクロージャの 2 個の出力ポートと 2 台目の PowerVault MD12xx 拡張エンクロージャの In-0 ポートを 2 本の SAS ケーブルで接続します。

 **メモ**：PowerVault MD12xx 拡張エンクロージャの設定については、support.dell.com/manuals で PowerVault MD12xx ストレージシステムのマニュアルを参照してください。

図 3-2 直接接続 SAS クラスタのケーブル接続

デュアル HBA ホ
ストサーバー



ホストベースのストレージソフトウェアのインストール

PowerVault MD32xx ストレージエンクロージャに必要なホストベースのストレージソフトウェアをインストールするには、システムに付属の Dell PowerVault Resource メディアを使用します。Modular Disk Storage Manager (MDSM) ソフトウェアをマスターノードに、マルチパス入出力 (MPIO) ソフトウェアを残りのノードにインストールするには、PowerVault MD32xx ストレージエンクロージャのマニュアルに記載されている手順に従います。

ファームウェアの確認とアップグレード

ファームウェアの確認とアップグレードは、次の手順で行います。

- 1 ホストシステムにインストールされている MDSM ソフトウェアを使用して、ホストシステムの直接接続ストレージを検知します。
- 2 次のストレージコンポーネント用のファームウェアが最低必要なバージョンであることを確認します。
 - RAID コントローラファームウェア
 - PowerVault MD32xx ストレージシステムファームウェア
 - PowerVault MD12xx 拡張エンクロージャファームウェア



メモ：ファームウェアバージョンの最小要件については、dell.com/oracle で **Dell Validated Components** (Dell 承認のコンポーネント) リンクをクリックしてご覧ください。

SAS HBA Adapter ドライバのインストール

SAS HBA ドライバを PowerVault MD32xx Resource メディアからインストールします。



メモ：SAS HBA ドライバのバージョンが、dell.com/oracle の Solution Deliverable List (SDL) (ソリューションリスト) に記されている Dell-validated Component (Dell 承認のコンポーネント) の各バージョンと等しいか、またはより新しいことを確認します。

クラスタの両方のノードにドライバをインストールする手順については、PowerVault MD32xx ストレージエンクロージャと SAS HBA に付属のマニュアルを参照してください。

ホストベースのストレージソフトウェアのインストール

ソフトウェアのインストール

PowerVault MD32xx シリーズのリソースメディアには、ソフトウェアとドライバが収録されています。

メディアのルートには、Windows に適用されるソフトウェアの変更、アップデート、修正プログラム、パッチ、およびその他の重要なデータが収録されている `readme.txt` ファイルが入っています。 `readme.txt` ファイルにはまた、マニュアルを参照するための必要条件が指定されているほか、メディアに収録されているソフトウェアのバージョンに関する情報、ソフトウェアの実行に必要なシステム要件が記載されています。

Dell PowerVault システム用としてサポートされているハードウェアとソフトウェアの詳細については、 support.dell.com/manuals で『サポートマトリックス』を参照してください。



メモ： support.dell.com で入手可能な最新のアップデートをすべてインストールすることをお勧めします。

MD ストレージソフトウェアのインストール

PowerVault MD32xx シリーズのストレージソフトウェアインストールには、コアソフトウェア、プロバイダなどの機能が用意されています。コアソフトウェアの機能には、ホストベースのストレージエージェント、マルチパスドライバに加えて、ストレージアレイソリューションの設定、管理、監視に使用する MD Storage Manager アプリケーションが含まれています。

プロバイダ機能には、Microsoft Virtual Disk Service (VDS) および Microsoft Volume Shadow-Copy Service (VSS) フレームワークのプロバイダが含まれます。



メモ： Microsoft VDS および Microsoft VSS プロバイダの詳細については、『オーナーズマニュアル』を参照してください。




メモ： Windows システムにソフトウェアをインストールするには Administrator 権限が必要です。

PowerVault MD32xx シリーズのリソースメディアでは、次のインストールオプションが提供されています。

- **GUI-based Installation** (GUI ベースのインストール) (推奨) — インストーラには、インストールするコンポーネントを選択できるグラフィカルウィザード方式のインタフェースが表示されます。
- **Silent Installation** (サイレントインストール) — スクリプトインストールを作成するユーザーには、このオプションが有効です。

Graphical Installation (グラフィカルインストール) (推奨)

グラフィカルインストールは、以下の手順で行います。

- 1 新しいソフトウェアをインストールする場合は必ず、事前に他のプログラムをすべて閉じてください。
- 2 リソースメディアをセットします。
- 3 **Install MD32xx Storage Software** (MD32xx ストレージソフトウェアのインストール) を選択します。
 -  **メモ**：ホストサーバーで Windows Server Core バージョンが実行されている場合、または起動プログラムが自動的に実行されない場合は、メディアのルートに移動して、Windows 用の **md_launcher.exe** を実行します。
- 4 MD ストレージソフトウェアをインストールします。次のインストールオプションのいずれかを選択します。
 - **Full** (フルインストール) — コアソフトウェア、プロバイダ、ユーティリティがインストールされます。これには、必要なホストベースのストレージエージェント、マルチパスドライバ、MD Storage Manager、プロバイダ、およびオプションのユーティリティが含まれています。
 - **Host Only** (ホストのみ) — このパッケージには、ホストの設定に必要なホストコンテキストエージェント、マルチパスドライバ、およびオプションのユーティリティが含まれています。
 - **Management Station** (管理ステーション) — このパッケージには、MD Storage Manager、プロバイダ、およびオプションのユーティリティが含まれています。
 - **Custom** (カスタム) — このオプションでは、特定のコンポーネントを選択することができます。
- 5 各ホストサーバーを再起動します。

Silent Installation (サイレントインストール)

このオプションでは、ソフトウェアを無人モードでインストールできます。Windows システムでサイレントインストールを実行するには、次の手順に従います。

- 1 すべてのデフォルトオプションを使用してインストールを開始するには、リソースメディアの Windows のフォルダに移動して、次のコマンドを実行します。

```
md32xx_install -i silent
```

- 2 サイレントインストールでインストールする機能を指定するには、同じディレクトリ内にある **custom_silent.properties** ファイルを変更し、これをホストサーバー上の書き込み可能な場所にコピーしてください。このファイルには、サポートされる機能とその説明のリストが含まれています。変更した **custom_silent.properties** ファイルを利用するには、次のコマンドを実行します。

```
md32xx_install -f
```

```
C:\path\to\custom_silent.properties
```

インストール後のタスク

PowerVault MD32xx シリーズのストレージレイを初めて使用する場合は、使用前に以下に示す順序で一連の初期設定タスクを行ってください。以下のタスクは、MD Storage Manager (MDSM) ソフトウェアを使用して実行します。

インストール後のタスクは、以下の手順で行います。


- 1 帯域外管理には、IP アドレス、サブネットワークマスク (サブネットマスク)、およびゲートウェイを含め、各 RAID コントローラモジュールにつきネットワーク構成を設定します。




メモ：DHCP サーバーを使用してネットワーク構成を設定できます。

- 2 MDSM を起動します。
 - Microsoft Windows では、**スタート** → **プログラム** → **Dell** → **MD Storage Manager** → **Modular Disk Storage Manager Client** (Modular Disk Storage Manager クライアント) の順にクリックします。

3 **Enterprise Management Window** (EMW) で、**Setup** (セットアップ) → **Add Storage Array** (ストレージアレイの追加) の順に進み、システムの自動検知を開始します。

 **メモ**：管理ステーションと同じサブネット上の IP アドレスで設定されたストレージアレイのみが検知されます。

 **メモ**：検知が完了するのに数分かかることがあります。完了する前に **Automatic Discovery Status** (自動検知のステータス) ウィンドウを閉じると、検知処理が停止します。

検知が完了すると、設定画面が表示されます。

4 **Close** (閉じる) をクリックして、画面を閉じます。

ストレージアレイ検知の検証

Automatic Discovery (自動検知) オプションにより、帯域内アレイと帯域外アレイの両方が自動的に検知され、ストレージアレイが管理ドメインに追加されます。サマリページに表示されている帯域外または帯域内の接続が正確でない場合は、以下の手順を実行します。

ストレージアレイ検知の検証は、以下の手順で行います。

- 1 ハードウェアと接続に問題がないかチェックします。インタフェースに関する問題の具体的なトラブルシューティング手順については、該当するストレージアレイの『オーナーズマニュアル』を参照してください。
- 2 アレイがローカルサブネットワークに接続されていることを確認します。接続されていない場合は、**New** (新規) リンクをクリックして手動で追加します。
- 3 各ストレージアレイのステータスが **Optimal** (最適) であることを確認します。いずれかのアレイが無反応のステータスを示す場合は、次の手順の 1 つを実行します。
 - a 管理ドメインからアレイを削除するには、アレイをハイライト表示し、**Remove** (削除) リンクをクリックします。
 - b アレイを追加するには、**New** (新規) リンクをクリックし、**OK** をクリックします。
- 4 アレイが依然として **Unresponsive** (無反応) のステータスを示す場合は、デルにお問い合わせください。

初期セットアップタスク

初期セットアップタスクは、以下の手順で行います。

- 1 検知された最初のストレージアレイの名前が、EMW のデバイスタブに表示されます。ローカルネットワーク上で検知されたすべてのストレージアレイのリストを表示するには、EMW のデバイスペインにある検知済みストレージアレイタブを展開します。
- 2 新しく取り付けられた MD32xx シリーズのストレージアレイのデフォルト名は、**Unnamed**（無題）です。MDSM 内に別の名前が表示された場合は、名前の隣の下矢印をクリックし、ドロップダウンリスト内の **Unnamed**（無題）をクリックします。
- 3 検知されたアレイをダブルクリックしてアレイの管理ウィンドウを開き、アレイの設定を変更します。
- 4 **Perform Initial Setup Tasks**（初期セットアップタスクの実行）をクリックして、残りのインストール後のタスクの概要とリンクを確認します。アレイの設定準備ができました。



メモ：ストレージアレイを設定する前に、Device（デバイス）ペインのステータスアイコンをチェックして、ストレージアレイ内のエンクロージャが Optimal（最適）なステータスであることを確認します。詳細については、support.dell.com/manuals で該当するアレイの『オーナーズマニュアル』を参照してください。

プレミアム機能の有効化（オプション）

プレミアム機能をご注文いただいた場合は、Premium Features Card（プレミアム機能カード）の手順に従って追加の機能をインストールします。

Dell PowerVault ストレージエン クロージャ用の iSCSI クラスタ のセットアップ

⚠ 警告：本項の手順を開始する前に、システムに付属しているガイドの安全にお使いいただくための注意事項をお読みください。ベストプラクティスの詳細については、dell.com/regulatory_compliance を参照してください。

本項では、Dell PowerEdge システムと PowerVault MD32xxi/MD12xx ストレージエンクロージャが Oracle RAC (Real Application Cluster) 環境で機能するように設定するための情報と手順を示します。

support.dell.com/manuals で Dell PowerVault MD32xxi の『サポートマトリックス』の「Supported Configuration」(サポートされている構成)を参照して、ハードウェア接続とハードウェアおよびソフトウェアの構成を確認してください。

表 4-1 iSCSI ハードウェアの相互接続

クラスタのコンポー ネント	接続
PowerEdge システ ムノード	<ul style="list-style-type: none"> • CAT 5e/6 ケーブル 1 本をパブリック NIC から LAN に接続 • CAT 5e/6 ケーブル 1 本をプライベートギガビット NIC からギガビットイーサネットスイッチに接続 (プライベートネットワーク) • CAT 5e/6 ケーブル 1 本を冗長プライベートギガビット NIC から冗長ギガビットイーサネットスイッチに接続 (プライベートネットワーク) • CAT 5e/6 ケーブル 1 本を iSCSI ギガビット NIC からギガビットイーサネットスイッチに接続 (iSCSI ネットワーク)

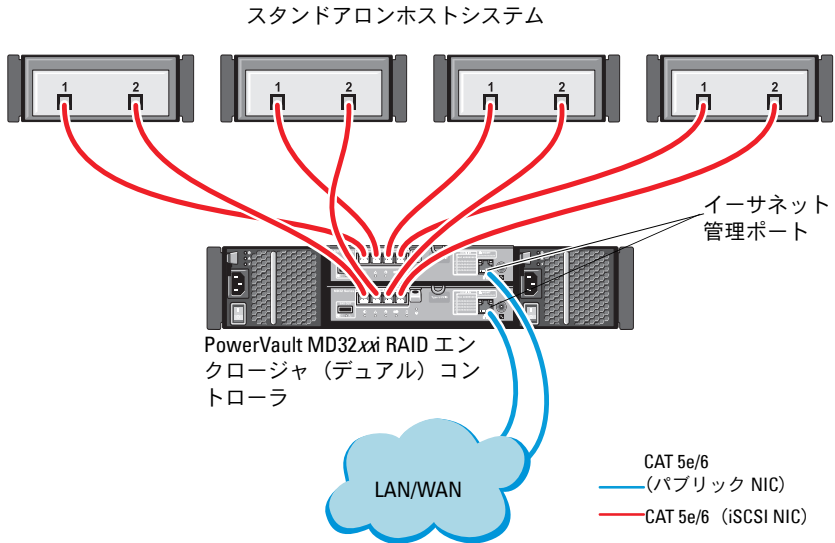
表 4-1 iSCSI ハードウェアの相互接続 (続き)

クラスタのコンポーネント	接続
PowerVault MD30xxi ストレージシステム	<ul style="list-style-type: none"> • 管理インターフェイス用に CAT 5e/6 ケーブル 2 本を LAN に接続 (各ストレージプロセッサモジュールから 1 本) • iSCSI 相互接続用として、CAT 5e/6 ケーブル 2 本を各ストレージプロセッサに接続 <p>メモ: PowerVault MD32xxi ストレージエンクロージャの詳細については、support.dell.com/manuals で PowerVault MD32xxi のマニュアルを参照してください。</p>
PowerVault MD12xx ストレージ拡張エンクロージャ (オプション)	PowerVault MD12xx 拡張エンクロージャの必要に応じて SAS ケーブルの接続を追加

ハードウェアのセットアップ

直接接続の iSCSI クラスタは 4 ノードまでに限定されています。

図 4-1 iSCSI 直接接続クラスタのケーブル接続



ノードを直接接続構成に設定するには、図 4-1 を参照してください。

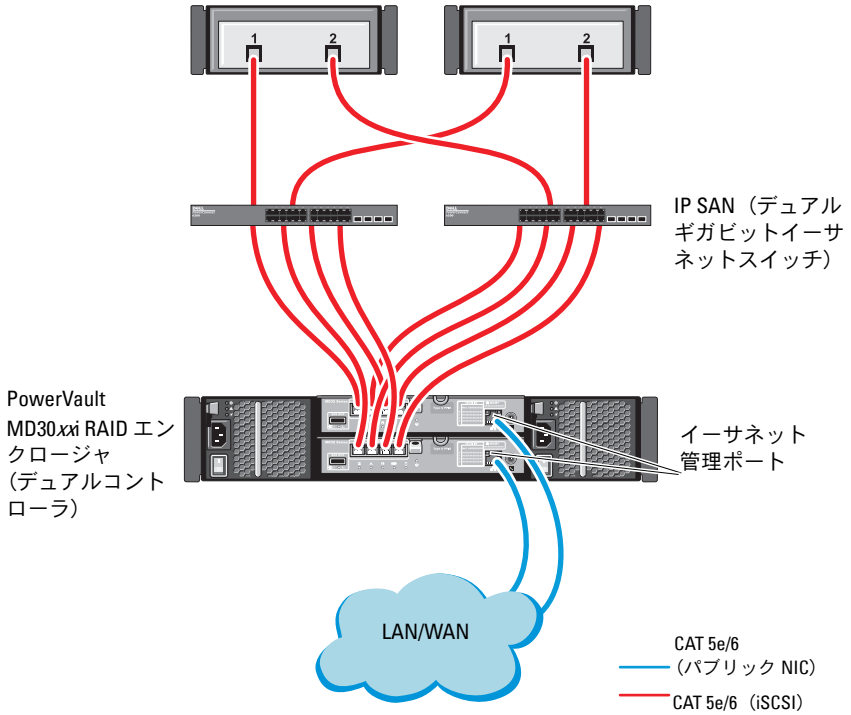
- 1 ノード 1 のポート (iSCSI HBA または NIC) と PowerVault MD32xxi ストレージエンクロージャ内の RAID コントローラ 0 の **In-0** ポートを 1 本の CAT 5e/6 ケーブルで接続します。
- 2 ノード 1 のもう一方のポート (iSCSI HBA または NIC) と PowerVault MD32xxi ストレージエンクロージャ内の RAID コントローラ 1 の **In-0** ポートを 1 本の CAT 5e/6 ケーブルで接続します。
- 3 ノード 2 のポート (iSCSI HBA または NIC) と PowerVault MD32xxi ストレージエンクロージャ内の RAID コントローラ 0 の **In-1** ポートを 1 本の CAT 5e/6 ケーブルで接続します。
- 4 ノード 2 のもう一方のポート (iSCSI HBA または NIC) と PowerVault MD32xxi ストレージエンクロージャ内の RAID コントローラ 1 の **In-1** ポートを 1 本の CAT 5e/6 ケーブルで接続します。
- 5 ノード 3 とノード 4 についても手順 1 ~ 手順 4 を繰り返して、RAID コントローラ 0 と RAID コントローラ 1 の In-2 と In-3 に接続します。
- 6 必要に応じて、PowerVault MD32xxi ストレージエンクロージャの 2 個の出力ポートと 1 台目の PowerVault MD12xx 拡張エンクロージャの 2 個の入力ポートを 2 本の SAS ケーブルで接続します。
- 7 必要に応じて、PowerVault MD12xx ストレージエンクロージャの 2 個の出力ポートと 2 台目の MD12xx 拡張エンクロージャの入力ポートを 2 本の SAS ケーブルで接続します。



メモ : PowerVault MD12xx 拡張エンクロージャの設定については、support.dell.com/manuals で PowerVault MD32xxi ストレージシステムのマニュアルを参照してください。

スイッチ式 iSCSI クラスタは、最大 32 ノードをサポートします。

図 4-2 iSCSI スイッチ式クラスタのケーブル接続



ノードをスイッチ式の構成に設定するには、図 4-2 を参照してください。

- 1 ノード 1 のポート (iSCSI HBA または NIC) とネットワークスイッチ 1 のポートを 1 本の CAT 5e/6 ケーブルで接続します。
- 2 ノード 1 のポート (iSCSI HBA または NIC) とネットワークスイッチ 2 のポートを 1 本の CAT 5e/6 ケーブルで接続します。
- 3 ノード 2 のポート (iSCSI HBA または NIC) とネットワークスイッチ 1 のポートを 1 本の CAT 5e/6 ケーブルで接続します。
- 4 ノード 2 のポート (iSCSI HBA または NIC) とネットワークスイッチ 2 のポートを 1 本の CAT 5e/6 ケーブルで接続します。
- 5 スイッチ 1 と PowerVault MD32xxi ストレージエンクロージャ内の RAID コントローラ 0 の In-0 ポートを 2 本の CAT 5e/6 ケーブルで接続します。
- 6 スイッチ 1 の他の 2 個のポートと PowerVault MD32xxi ストレージエンクロージャ内の RAID コントローラ 1 を 2 本の CAT 5e/6 ケーブルで接続します。
- 7 スイッチ 2 のポートと PowerVault MD32xxi ストレージエンクロージャ内の RAID コントローラ 0 を 2 本の CAT 5e/6 ケーブルで接続します。
- 8 スイッチ 2 の他の 2 個のポートと PowerVault MD32xxi ストレージエンクロージャ内の RAID コントローラ 1 を 2 本の CAT 5e/6 ケーブルで接続します。
- 9 必要に応じて、PowerVault MD32xxi ストレージエンクロージャの 2 個の出力ポートと 1 台目の PowerVault MD12xx 拡張エンクロージャの 2 個の入力ポートを 2 本の SAS ケーブルで接続します。
- 10 必要に応じて、PowerVault MD32xxi ストレージエンクロージャの 2 個の出力ポートと 2 台目の PowerVault MD12xx 拡張エンクロージャの入力ポートを 2 本の SAS ケーブルで接続します。



メモ : PowerVault MD12xx 拡張エンクロージャの設定については、support.dell.com/manuals で PowerVault MD32xxi ストレージシステムのマニュアルを参照してください。iSCSI ストレージインフラストラクチャには別のネットワークを使用することをお勧めします。iSCSI 専用のネットを別途用意できない場合は、ストレージ機能を専用の VLAN (仮想ローカルエリアネットワーク) に割り当てます。そうすることで、1つの物理ネットワーク内に独立した論理ネットワークが設定されます。

ストレージに必要なホストベースソフトウェアのインストール

PowerVault MD32xxi ストレージシステムに必要なホストベースのストレージソフトウェアをインストールするには、PowerVault MD32xxi ストレージシステムに付属の Dell PowerVault の Resource メディアを使用します。PowerVault MD32xxi ストレージエンクロージャのマニュアル (support.dell.com/manuals で入手可能) に記載されている手順に従って、Modular Disk Storage Manager (MDSM) ソフトウェアをマスターノードに、マルチパス I/O (MPIO) ソフトウェアを残りのノードにインストールします。

ファームウェアの確認とアップグレード

ファームウェアの確認とアップデートは、次の手順で行います。

- 1 ホストシステムにインストールされている MDSM ソフトウェアを使用して、ホストシステムの直接接続ストレージを検知します。
- 2 次のストレージコンポーネント用のファームウェアが最低必要なバージョンであることを確認します。
 - MD32xxi ストレージシステムファームウェア
 - MD12xx 拡張エンクロージャファームウェア



メモ：ファームウェアバージョンの最小要件については、dell.com/oracle で **Dell Validated Components** (Dell 承認のコンポーネント) リンクをクリックしてご覧ください。

Dell PowerVault MD32xxi /MD12xx ストレージ エンクロージャ用の iSCSI クラスターのセット アップ


ハードウェアのセットアップ

PowerVault MD32xxi/MD12xx 拡張エンクロージャのセットアップまたはインストールを行う場合は、PowerVault のマニュアルを参照してください。マニュアルは support.dell.com/manuals でご覧いただけます。

ホストベースのストレージソフトウェアのインストール

PowerVault MD32xxi シリーズのストレージソフトウェアインストールには、コアソフトウェア、プロバイダ、オプションのユーティリティなどの機能が用意されています。コアソフトウェアの機能には、ホストベースのストレージエージェント、マルチパスドライバに加えて、ストレージレイソリューションの設定、管理、監視に使用する MD Storage Manager (MDSM) アプリケーションが含まれています。プロバイダ機能には、Microsoft Virtual Disk Service (VDS) および Microsoft Volume Shadow-Copy Service (VSS) フレームワークのプロバイダが含まれます。MD 設定ユーティリティ (MDCU) は、管理ポート、iSCSI ホストポートの設定、および iSCSI MD ストレージレイ用セッションの作成に集約された手段を提供するオプションのユーティリティです。ストレージレイに接続された各ホストの iSCSI を設定するには、MDCU をインストールして使用することをお勧めします。

 **メモ**：Microsoft VDS および Microsoft VSS プロバイダの詳細については、『オーナーズマニュアル』を参照してください。Windows OS にソフトウェアをインストールするには Administrator 権限が必要です。

 **メモ**：DHCP が使用されていない場合、管理ステーションの初期設定はストレージレイと同じ物理サブネットで行う必要があります。また、初期設定中に、少なくとも 1 つのネットワークアダプタをストレージレイのデフォルト管理ポート (192.168.128.101 または 192.168.128.102) と同じ IP サブネットで設定する必要があります。初期設定が終われば、管理ポートは MDSM を使用して設定され、管理ステーションの IP アドレスを元の設定に戻すことができます。

PowerVault MD32xxi シリーズに付属のリソースメディアでは、次のインストールオプションが提供されています。

- **GUI-based Installation** (GUI ベースのインストール) (推奨) — インストーラには、インストールするコンポーネントを選択できるグラフィカルウィザード方式のインタフェースが表示されます。
- **Silent Installation** (サイレントインストール) — スクリプトインストールを作成するユーザーには、このオプションが有効です。

Graphical Installation (グラフィカルインストール) (推奨)

グラフィカルインストールは、以下の手順で行います。

- 1 新しいソフトウェアをインストールする場合は必ず、事前に他のプログラムをすべて閉じてください。
- 2 リソースメディアをセットします。
- 3 **Install MD32xxi Storage Software** (MD32xxi ストレージソフトウェアのインストール) を選択します。



メモ: ホストサーバーで Windows Server Core バージョンが実行されている場合、または起動プログラムが自動的に実行されない場合は、メディアのルートに移動して **md_launcher.exe** を実行します。

- 4 **MD ストレージソフトウェア**をインストールします。次のインストールオプションのいずれかを選択します。
 - **Full** (フルインストール) — コアソフトウェア、プロバイダ、ユーティリティがインストールされます。これには、必要なホストベースのストレージエージェント、マルチパスドライバ、MD Storage Manager、プロバイダ、およびオプションのユーティリティが含まれています。
 - **Host Only** (ホストのみ) — このパッケージには、ホストの設定に必要なホストコンテキストエージェント、マルチパスドライバ、およびオプションのユーティリティが含まれています。
 - **Management Station** (管理ステーション) — このパッケージには、MD Storage Manager、プロバイダ、およびオプションのユーティリティが含まれています。
 - **Custom** (カスタム) — このオプションでは、特定のコンポーネントを選択することができます。
- 5 各ホストサーバーを再起動します。

Silent Installation (サイレントインストール)

このオプションでは、ソフトウェアを無人モードでインストールできます。Windows システムでサイレントインストールを実行するには、次の手順に従います。

- 1 すべてのデフォルトオプションを使用してインストールを開始するには、リソースメディアの Windows のフォルダに移動して、次のコマンドを実行します。

```
md32xxi_install -i silent
```

- 2 サイレントインストールでインストールする機能を指定するには、同じディレクトリ内にある **custom_silent.properties** ファイルを変更し、これをホストサーバー上の書き込み可能な場所にコピーする必要があります。このファイルには、サポートされる機能とその説明のリストが含まれています。変更した **custom_silent.properties** ファイルを利用するには、次のコマンドを実行します。

```
md32xxi_install -f <パス>/custom_silent.properties
```

プレミアム機能の有効化 (オプション)

プレミアム機能をご注文いただいた場合は、Premium Features Card (プレミアム機能カード) の手順に従って追加の機能をインストールします。

Dell|EqualLogic PS シリーズのストレージシステム用の iSCSI クラスターのセットアップ

⚠ 警告：本項の手順を開始する前に、システムに付属しているガイドの安全にお使いいただくための注意事項をお読みください。ベストプラクティスの詳細については、dell.com/regulatory_compliance を参照してください。

EqualLogic の用語

EqualLogic PS シリーズのストレージアレイには、ストレージ仮想化テクノロジーが搭載されています。これらのアレイの仕組みをよりよく理解するには、アレイとその機能の説明に使用される用語を知っていると役に立ちます。

- **メンバー** — 単一の PS シリーズアレイ。
- **グループ** — 集中管理が可能な 1 つまたは複数のメンバーのセット。ホストシステムは 1 つのグループ IP アドレスによってデータにアクセスします。
- **プール** — 1 つまたは複数のメンバーからのディスクで構成できる RAID。
- **ボリューム** — プールの容量の一部を表す LUN または仮想ディスク。

EqualLogic iSCSI ストレージシステムのセットアップ

ホストシステムは、IP SAN 業界標準 10 ギガビットイーサネットスイッチを経由して EqualLogic PS6010XV iSCSI アレイに接続できます。図 5-1 は、デュアルコントロールモジュール EqualLogic PS6010XV アレイに推奨されるネットワーク構成を示しています。Dell PowerConnect 10 ギガビットイーサネットスイッチ 2 台による構成で、ネットワークの可用性と帯域幅が共に最大となります。詳細については、support.equallogic.com で EqualLogic のマニュアルを参照してください。



メモ：10 ギガビットイーサネットスイッチは 2 台使用することをお勧めします。イーサネットスイッチが 1 台のみの環境でスイッチに障害が発生すると、スイッチを物理的に交換して設定を復元するまで、どのホストもストレージにアクセスできなくなります。スイッチ 1 台の構成では、スイッチ間またはトランク間の接続を提供するために、リンクアグリゲーションを使用する複数のポートが必要です。各コントロールモジュールから、1 つのギガビットインタフェースを 1 台のイーサネットスイッチに、残りの 2 つのギガビットインタフェースをもう 1 台のイーサネットスイッチに接続する構成をお勧めします。

図 5-1 推奨ネットワーク構成

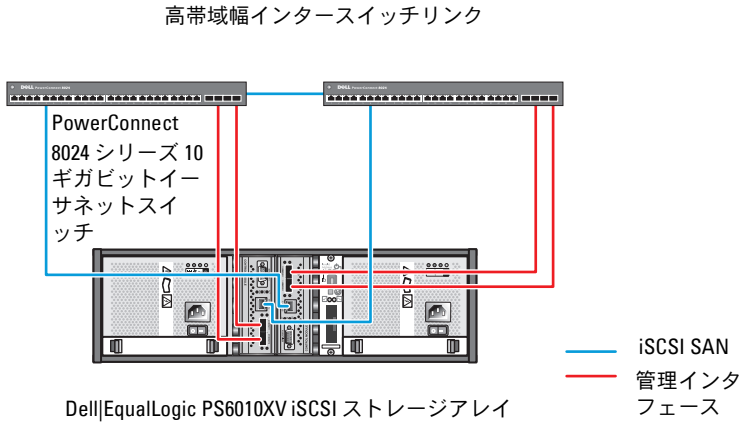
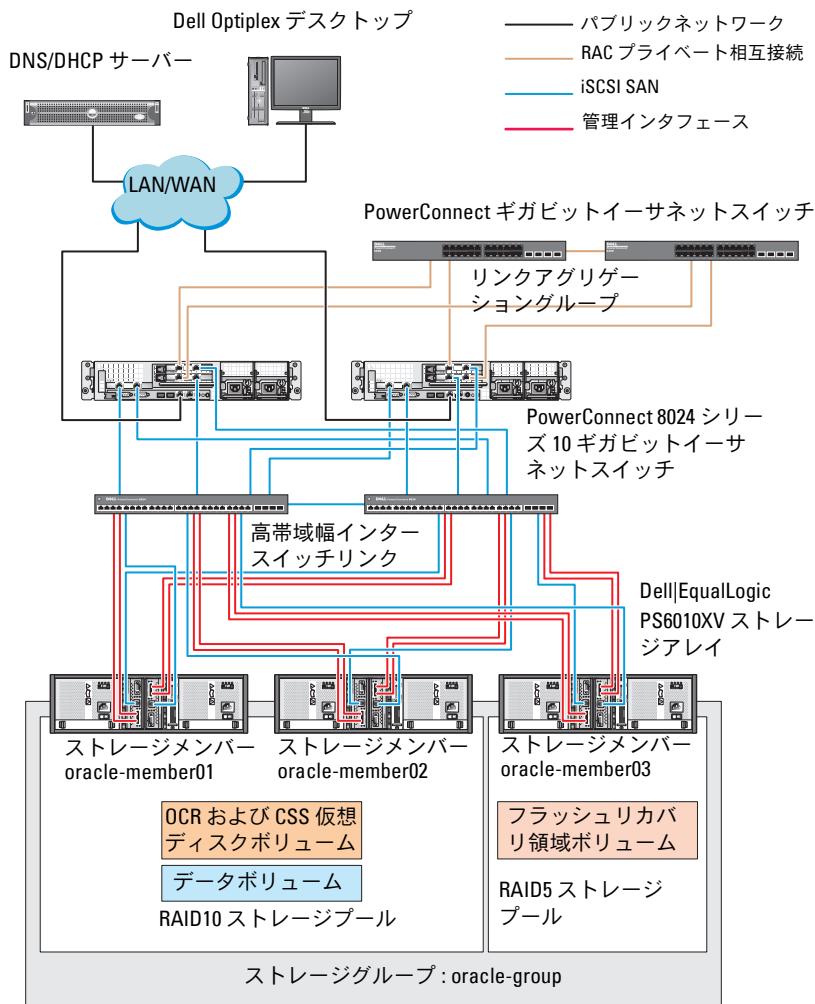


図 5-2 は、Dell|EqualLogic PS6010XV アレイ 3 つを使用した Oracle RAC (Real Application Cluster) 構成例の概略図です。Dell|EqualLogic PS6010XV ストレージアレイは、RAC データベース用の物理的なストレージ容量を提供します。**oracle-group** というグループには、Dell|EqualLogic PS6010XV のメンバー 3 つ (**oracle-member01**、**oracle-member02**、**oracle-member03**) が含まれています。初期化済みのメンバーは、RAID 10、RAID 5、または RAID 50 のいずれかに構成できます。

図 5-2 PS6010XV アレイ 3つを使用した Oracle RAC 構成例



メモ : EqualLogic アレイの初期化の詳細については、support.dell.com/manuals で Dell EqualLogic の『ユーザーズガイド』を参照してください。

EqualLogic PS シリーズのストレージグループは、複数の階層またはプールに分割できます。ストレージを階層化すると、ディスクリソースをより自在に割り当てることができるようになります。メンバーを同時に複数のプールに割り当ててはできません。メンバーをプールに割り当てたり、別のプールに移動する操作は簡単に行うことができ、データの可用性に何ら影響はありません。プールは、ディスクのタイプ、速度、RAID レベル、アプリケーションのタイプなど、さまざまな基準に従って組むことができます。

図 5-2 では、プールはメンバーの RAID レベルに従って組まれています。

- RAID 10 という名前のプールは、RAID 10 のメンバーで構成されています。
- RAID 5 という名前のプールは、RAID 5 のメンバーで構成されています。

ボリュームの作成

データを保存する前に、EqualLogic PS6010XV ストレージアレイの物理ディスクを設定して、ボリュームと呼ばれる使用可能なコンポーネントにしてください。ボリュームはストレージプールを構成する一部であり、特定のサイズ、アクセスコントロール、その他の属性を持っています。ボリュームは、複数のディスクとグループメンバー間に分散させることができます。ボリュームは、ネットワーク上では iSCSI ターゲットとして表示されます。ボリュームはプールに割り当てられます。別のプールに移動することも容易で、データの可用性に何ら影響はありません。また、プール内のストレージハードウェアリソースの総合的な負荷に基づいて、プール内で自動データ配置と自動負荷バランスが行われます。

表 5-1 はボリューム構成の一例を示したものです。

表 5-1 Oracle RAC 用のボリュームの構成

ボリュームの数	最小サイズ	RAID	パーティションの数	使用目的	OS マッピング
3	1024 MB	10	1	投票ディスク、Oracle Cluster Registry (OCR)	OCR および投票ディスク用の ASM ディスクグループ
1	データベースよりも大きいこと	10	1	データ	ASM ディスクグループ DATABASEDG
1	第 2 領域ボリュームのサイズの 2 倍以上	5	1	フラッシュリカバリ領域	ASM ディスクグループ FLASHBACKDG
1 (オプション)	10 GB	10	1	共有 DB ホーム	共有 DB ホーム用の ASM ディスクグループ

Dell|EqualLogic PS6010XV アレイ内にボリュームを作成し、すべてのホスト iSCSI ネットワークインタフェースがボリュームにアクセスできるようにアクセスリストを作成します。たとえば、次のようなボリュームが作成されます。

- **mdi-ocr**
- **mdi-data1**
- **mdi-fra1**

iSCSI ネットワークの設定



メモ：最適なパフォーマンスが得られるように、iSCSI トラフィック用のホストネットワークインタフェースがフロー制御とジャンボフレームを使用するように設定することをお勧めします。


フロー制御とジャンボフレームを設定するには、以下の手順を実行します。

- 1 **スタート** → **Search programs and files** (プログラムとファイルの検索) の順にクリックし、`View network connections` と入力します。
- 2 検索結果の中の **View network connections** をクリックします。
- 3 **iSCSI network interface** (iSCSI ネットワークインタフェース) を選択し、**Properties** (プロパティ) を右クリックします。
- 4 **Configure** (設定) をクリックします。
- 5 **Advanced** (詳細) をクリックします。
- 6 **Jumbo Packet** (ジャンボパケット) を選択し、値を **9014** バイトに設定します。
- 7 **Performance Options** (パフォーマンスオプション) を選択し、**Properties** (プロパティ) をクリックします。
Performance Options (パフォーマンスオプション) ウィンドウが表示されます。
- 8 **Flow Control** (フロー制御) を選択し、値を **Rx & Tx Enabled** (Rx & Tx 有効) に設定します。
- 9 iSCSI トラフィックに使用されるその他すべてのネットワークインタフェースについて、手順 3 ~ 手順 8 を繰り返します。




ホストからボリュームへのアクセスの設定

Dell EqualLogic Host Integration Tool (HIT) キットのインストールと設定

- 1 最新の HIT ツールキットをデータベースサーバーにダウンロードします。
- 2 **setup64.exe** をダブルクリックしてインストールウィンドウを起動します。
- 3 **Welcome to the Host Integration Tools 3.5.1 Installation Program** (Host Integration Tools 3.5.1 インストールプログラムへようこそ) ウィンドウで、**Next** (次へ) をクリックします。
- 4 **License Agreements** (ライセンス契約) ウィンドウで、**I accept the terms of all the license agreements** (ライセンス契約に同意します) を選択し、**Next** (次へ) をクリックします。

- 5 **Installation Type** (インストールの種類) ウィンドウで **Typical** (標準) を選択し、**Next** (次へ) をクリックします。
 -  **メモ** : **Microsoft iSCSI Initiator service not running** (Microsoft iSCSI Initiator サービスが実行されていません) ウィンドウが表示された場合は、**No** (いいえ) をクリックします。
- 6 **Ready to install the components** (インストールの準備完了) ウィンドウで、**Install** (インストール) をクリックします。

Installation Status (インストール状況) ウィンドウと **Software Update Installation Wizard** (ソフトウェアの更新のインストールウィザード) ウィンドウが表示されます。

 -  **メモ** : **Microsoft Multipath I/O feature not detected** (Microsoft Multipath I/O の機能が検知されません) ウィンドウが表示された場合は、**Yes** (はい) をクリックします。MS Multipath I/O が自動的にインストールされます。
 -  **メモ** : **Microsoft iSCSI Initiator service not running** (Microsoft iSCSI Initiator サービスが実行されていません) ウィンドウが表示された場合は、**Yes** (はい) をクリックします。
 -  **メモ** : **iSCSI Initiator Properties** (iSCSI イニシエータのプロパティ) ウィンドウが表示された場合は、**Cancel** (キャンセル) をクリックします (iSCSI 設定の詳細については、285 ページの「Microsoft iSCSI Initiator の設定」を参照してください)。
- 7 **Installation Complete** (インストールの完了) ウィンドウで、**Launch Remote Setup Wizard** (リモートセットアップの起動ウィザード) を選択し、**Finish** (完了) をクリックします。
- 8 **System Restart Required** (システムの再起動が必要) ウィンドウで、**Yes, I want to restart my computer now** (はい、今すぐコンピュータを再起動します) を選択し、**OK** をクリックします。

再起動が完了すると、**Remote Setup Wizard** (リモートセットアップウィザード) ウィンドウが表示されます。
- 9 **Configure MPIO settings for this computer** (このコンピュータの MPIO 設定を行う) を選択し、**Next** (次へ) をクリックします。
- 10 **iSCSI network subnets** (iSCSI ネットワークのサブネット) を **Subnets included for MPIO** (MPIO 用に含まれているサブネット) の下に移動します。

- 11 その他すべてのネットワークのサブネットを **Subnets excluded from MPIO** (MPIO から除外されたサブネット) の下に移動します。



メモ：表示されないサブネットがある場合は、Microsoft iSCSI Initiator Service が実行されていることを確認してください。場合によっては、iSCSI イニシエータの起動後に **EqualLogic Remote Setup Wizard** (EqualLogic リモートセットアップウィザード) を再び起動する必要があります。

- 12 **Finish** (完了) をクリックします。




メモ：Load Balancing (負荷バランシング) のデフォルト値を **Least Queue Depth** (最小のキューの深さ) に設定することをお勧めします。

- 13 クラスタ内の残りのすべてのホストで 手順 1 ~ 手順 9 を繰り返します。

Microsoft iSCSI Initiator の設定

- 1 **Start** (スタート) をクリックし、検索ボックスに **iSCSI Initiator** と入力します。検索結果のリストで **iSCSI Initiator** をクリックします。
- 2 **iSCSI Initiator Properties** (iSCSI イニシエータのプロパティ) ウィンドウの **Discovery** (検知) タブにある **EqualLogic グループアドレスの IP アドレス** は、HIT ツールキットによってすでに入力されています。
- 3 **Discovery** (検知) タブにグループ IP アドレスがない場合は、**Discover Portal** (ポータルの検知) をクリックします。
 - a **IP Address or DNS name** (IP アドレスまたは DNS 名) フィールドに EqualLogic グループの IP アドレスを入力します。
 - b **Advanced** (詳細) をクリックします。
 - c **Advanced Settings** (詳細設定) ウィンドウで、**Local adapter** (ローカルアダプタ) ドロップダウンメニューを使用して **Microsoft iSCSI Initiator** を選択します。
 - d **Source IP** (送信元 IP) ドロップダウンメニューを使用して iSCSI イニシエータの IP アドレスを選択します。
 - e ボリュームの認証に CHAP を使用しない場合は、手順 i に進みます。使用する場合は続行します。
 - f **Enable CHAP log on** (CHAP のログオンを有効にする) を選択します。

- g **User name** (ユーザー名) ボックスに EqualLogic ストレージで定義した CHAP ユーザー名を入力します。
 - h **Target secret** (ターゲットシークレット) ボックスに EqualLogic ストレージで定義した CHAP パスワードを入力します。
 -  **メモ** : CHAP のパスワードは 12 文字以上にする必要があります。
 - i **OK** をクリックします。
- 4 **iSCSI Initiator Properties** (iSCSI イニシエータのプロパティ) ウィンドウの **Targets** (ターゲット) タブで、Oracle データベース用に作成された 1 つのボリュームをクリックし、**Connect** (接続) をクリックします。
- 5 **Connect to Target** (ターゲットに接続) ウィンドウで、**Add this connection to the list of Favorite Targets** (この接続をお気に入りのターゲットに追加する) と **Enable multi-path** (マルチパスを有効にする) の両方を選択し、**Advanced** (詳細設定) をクリックします。
- 6 **Advanced Settings** (詳細設定) ウィンドウの **General** (全般) タブで、以下の設定を行います。
- a **Local adapter** (ローカルアダプタ) ドロップダウンメニューを使用して **Microsoft iSCSI Initiator** (Microsoft iSCSI イニシエータ) を選択します。
 - b **Source IP** (送信元 IP) ドロップダウンメニューを使用して **iSCSI イニシエータの IP アドレス** を選択します。
 - c **Target Portal** (ターゲットポータル) ドロップダウンメニューを使用して **EqualLogic group IP** (EqualLogic グループ IP) アドレスを選択します。
 - d **CHAP logon information** (CHAP ログオン情報) を選択します。
 - e **User name** (ユーザー名) ボックスに EqualLogic ストレージで定義した CHAP ユーザー名を入力します。
 - f **Target secret** (ターゲットシークレット) ボックスに EqualLogic ストレージで定義した CHAP パスワードを入力します。
 - g **OK** をクリックします。

- 7 **Connect to Target** (ターゲットに接続) ウィンドウで、**OK** をクリックします。
- 8 **iSCSI Initiator Properties** (iSCSI イニシエータのプロパティ) ウィンドウの **Targets** (ターゲット) タブで、ログオンされているボリュームのステータスは **Connected** (接続済み) になっています。
- 9 その他の各 iSCSI イニシエータ IP の IP アドレスについて手順 3 ~ 手順 8 を繰り返して、同じボリュームにログオンします。
- 10 手順 3 ~ 手順 9 を繰り返して、データベース用に作成されたその他すべてのボリュームにログオンします。
- 11 クラスタ内の残りのすべてのホストで手順 1 ~ 手順 9 を繰り返します。


ホストのデータベースストレージの設定

 **警告：**本項の手順を開始する前に、システムに付属しているガイドの安全にお使いいただくための注意事項をお読みください。ベストプラクティスの詳細については、dell.com/regulatory_compliance を参照してください。

Oracle RAC (Real Application Clusters) では、順序化された一連の手順が必要とされます。以下の項では、お使いのホストで直接接続 SAS、または iSCSI ストレージ用のストレージディスクを検証、調整、および設定する方法について説明します。


ストレージディスクの検証と識別

クラスタの設定中に、直接接続 SAS、または iSCSI ストレージシステムにパーティションを作成します。パーティションを作成するには、すべてのノードが外付けストレージデバイスを検知する必要があります。

 **メモ：**本項の手順は、直接接続 SAS ストレージ用に Oracle データベースを導入する方法を説明したものです (直接接続 SAS または iSCSI ストレージ (Dell PowerVault MD32xx/MD32xxi または Dell|EqualLogic ストレージアレイ) が使用されている場合)。

ノードに対するストレージの割り当ての確認

- 1 **スタート** → **管理ツール** → **サーバーマネージャ** の順にクリックします。
- 2 **サーバーマネージャ** ウィンドウで、**デバイスマネージャ** をクリックします。
- 3 **記憶域** を展開し、**ディスクの管理** をクリックします。
 - a ボリュームを右クリックし、**オンライン** をクリックします。
 - b ボリュームを右クリックし、**初期化** を選択し、**ディスクの初期化** ウィンドウで **OK** をクリックします。
 - c すべてのボリュームについて手順 a ~ 手順 b を繰り返します。

 **メモ：**この手順により、ディスクは確実にベーシックディスクとして設定されます。

- 4 **ディスクの管理** ウィンドウで、4 台のディスクが表示されているかどうか確認します。ディスクのサイズは互いに、また、ストレージシステム内のノードに割り当てられている仮想ディスクともほぼ同一であるはずです。
- 5 手順 1～手順 4 を残りのノードで繰り返します。

Oracle Clusterware、データベース、バックアップ用のディスクの準備

本項では、以下のディスク用に論理ドライブを作成するための情報を提供します。

- Oracle Cluster Registry (OCR) ディスク — クラスタ設定情報が格納されています。
- 投票ディスク — 1 つまたは複数のノードでプライベートネットワークまたは接続ストレージが使用できない場合に、クラスタノード間にアービトレーションを提供します。
- データディスクとバックアップディスク — データベースを作成し (データディスク)、バックアップとログデータを保存する (バックアップディスク) ためのストレージ領域を提供します。

本書で説明されているクラスタの設定中、共有ストレージにパーティションを作成する際に、取り付けられているストレージシステム内に作成された論理ディスクをクラスタノードが検知できるようにしてください。

Oracle Clusterware 用のディスクを準備するには、OCR ディスク、投票ディスク、データディスク、およびフラッシュリカバリ領域ディスクを確認します。適切なディスクが確認できたら、ノード 1 で以下の手順を実行します。

共有ディスクの自動マウントオプションの有効化

- 1 ノード 1 上で、**スタート** → **ファイル名を指定して実行** の順にクリックします。
- 2 `cmd` と入力し、**OK** をクリックします。
- 3 コマンドプロンプトで、`diskpart` と入力し、**<Enter>** を押します。

- 4 DISKPART コマンドプロンプトで `automount enable` と入力し、`<Enter>` を押します。
次のメッセージが表示されます。Automatic mounting of new volumes enabled. (新しいボリュームの自動マウントが有効になりました。)
- 5 DISKPART コマンドプロンプトで、`exit` と入力し、`<Enter>` を押します。
- 6 コマンドプロンプトを閉じます。
- 7 手順 1 ~ 手順 5 を残りの各ノードで繰り返します。

Windows 2008 R2 SP1 上で ASM を使用したデータベースストレージ用のクラスタウェア、データベースディスク、フラッシュリカバリ領域用の OCR と投票ディスクの準備

拡張パーティションと論理ドライブを作成する手順は、次のとおりです。

- 1 スタート → ファイル名を指定して実行 の順にクリックし、`cmd` と入力し、`<Enter>` を押して、コマンドプロンプトウィンドウを開きます。
- 2 コマンドプロンプトで `diskpart` と入力して `diskpart` インタフェースを開きます。
- 3 `list disk` と入力すると、次の表が表示されます。

Disk ###	Status	Size	Free	Dyn	GPT
Disk 0	Online	37 GB	0 MB	-	-
Disk 1	Online	2048 MB	2048 MB	-	-
Disk 2	Online	100 GB	100 GB	-	-
Disk 3	Online	200 GB	200 GB	-	-

- 4 ターゲットディスクの `select disk [ディスク番号]` を入力します。



メモ：以下の手順では、MBR ディスク用のパーティションと論理ディスクを作成する方法を説明します。

- 5 create partition extended と入力し、<Enter> を押します。
- 6 create partition logical size=<size of volume in megabytes> と入力し、<Enter> を押します。
- 7 クラスタウェア用として識別されたすべてのディスク（OCR と投票ディスク）、およびデータベースストレージ用として識別されたすべてのディスク（データベースディスクとフラッシュリカバリ領域）に対して、手順 4～手順 6 を繰り返します。

割り当て済みのドライブ文字の削除

- 1 スタート → 管理ツール → サーバーマネージャ の順にクリックします。
- 2 記憶域 を展開し、ディスクの管理 をクリックします。
- 3 291 ページの「Windows 2008 R2 SP1 上で ASM を使用したデータベースストレージ用のクラスタウェア、データベースディスク、フラッシュリカバリ領域用の OCR と投票ディスクの準備」で作成したドライブにドライブ文字が割り当てられている場合は、次の手順を実行します。
 - a 論理ドライブを右クリックし、ドライブ文字とパスの変更 を選択します。
 - b ドライブ文字を選択し、削除 をクリックします。
 - c 確認 ウィンドウで、はい をクリックします。
 - d ストレージパーティション上の残りの論理ドライブに対して、手順 a～手順 c を繰り返します。

索引

M

Modular Disk Storage
Manager, 261

MPIO ソフトウェア, 261

N

NIC

ポートの割り当て, 241

P

PowerConnect スイッチ, 278

R

Resource メディア
PowerVault MD3000, 261

S

SAS

クラスタのセットアップ, 257,
267, 277, 289

Z

ケーブル接続

iSCSI クラスタ, 269

ヘルプ, 240

Oracle サポート, 240

デルサポート, 240

ボリューム, 281

用語

グループ, 277

プール, 277

ボリューム, 277

メンバー, 277

Sistemas Dell PowerEdge
Base de datos Oracle en
Microsoft Windows Server x64

**Guía de
almacenamiento y redes
Versión 1.6**



Notas, precauciones y avisos



NOTA: una NOTA proporciona información importante que le ayudará a utilizar mejor el equipo.



PRECAUCIÓN: un mensaje de PRECAUCIÓN indica la posibilidad de daños en el hardware o la pérdida de datos si no se siguen las instrucciones.



AVISO: un mensaje de AVISO indica el riesgo de daños materiales, lesiones personales o incluso la muerte.

La información contenida en esta publicación puede modificarse sin previo aviso.

© 2011 Dell Inc. Todos los derechos reservados.

Queda estrictamente prohibida la reproducción de este material en cualquier forma sin la autorización por escrito de Dell Inc.

Las marcas comerciales que se utilizan en este texto: Dell™, el logotipo de DELL, EqualLogic™, Optiplex™, PowerConnect™, PowerEdge™ y PowerVault™ son marcas comerciales de Dell Inc. Broadcom™ es una marca comercial de Broadcom Corp. Intel® es una marca comercial registrada de Intel en EE. UU. y en otros países. Oracle® es una marca comercial registrada de Oracle Corporation o de sus filiales. Microsoft®, Windows®, y Windows Server® son marcas comerciales o marcas comerciales registradas de Microsoft Corporation en los Estados Unidos o en otros países.

Otras marcas y otros nombres comerciales pueden utilizarse en esta publicación para hacer referencia a las entidades que los poseen o a sus productos. Dell Inc. renuncia a cualquier interés sobre la propiedad de marcas y nombres comerciales que no sean los suyos.

Contenido

1	Información general	301
	Documentación necesaria para implantar la base de datos Dell Oracle 11g R2.	301
	Terminología utilizada en este documento	302
	Obtención de ayuda	302
	Asistencia de Dell	302
	Asistencia de Oracle	302
2	Configuración de la red	303
	Desactivación de IPv6 para los adaptadores de red.	303
	Configuración de la agrupación de NIC para los adaptadores de red privada	304
	Configuración de las direcciones IP para los adaptadores de red pública y privada.	307
	Requisitos para las direcciones IP y la resolución de nombres.	309
	Para un clúster que utiliza GNS	309
	Para un clúster que utiliza DNS	311
	Habilitación de IPMI.	314
	Requisitos previos para habilitar IPMI.	314
	Configuración del sistema administrado.	314
	Configuración del controlador de administración de la placa base	314

3	Configuración de un clúster SAS para almacenamientos Dell PowerVault	319
	Configuración del hardware	321
	Instalación del software de almacenamiento basado en host	323
	Verificación y actualización del firmware	323
	Instalación del controlador del adaptador HBA SAS	323
	Instalación del software de almacenamiento basado en host	324
	Instalación del software MD Storage	324
	Tareas posteriores a la instalación	326
	Verificación de la detección de matrices de almacenamiento	327
4	Configuración de un clúster iSCSI para alojamientos para almacenamiento Dell PowerVault	329
	Configuración del hardware	331
	Instalación del software basado en host necesario para el almacenamiento	335
	Verificación y actualización del firmware	335
	Configuración de un clúster iSCSI para los alojamientos para almacenamiento Dell PowerVault MD32xxi y MD12xx	336
	Configuración del hardware	336
	Instalación del software de almacenamiento basado en host	336

5	Configuración de un clúster iSCSI para los sistemas de almacenamiento Dell EqualLogic serie PS	339
	Terminología de EqualLogic	339
	Configuración de un sistema de almacenamiento iSCSI EqualLogic	340
	Creación de volúmenes	343
	Configuración de redes iSCSI	345
	Configuración del acceso de host a volúmenes	345
6	Configuración del almacenamiento de base de datos en el host	349
	Verificación e identificación de los discos de almacenamiento	349
	Verificación de la asignación de almacenamiento a los nodos	349
	Preparación de los discos de software de clúster Oracle, de base de datos y de copia de seguridad	350
	Habilitación de la opción de montaje automático para los discos compartidos	351
	Preparación del disco OCR y de votación para el software de clúster, del disco de base de datos y al área de recuperación flash para el almacenamiento de base de datos con ASM en Windows 2008 R2 SP1	351
	Eliminación de las letras de unidad asignadas	352
	Índice	353

Información general

En este documento se proporcionan instrucciones sobre cómo configurar la red y los requisitos de almacenamiento para ejecutar la base de datos Dell|Oracle en un equipo con el sistema operativo Microsoft Windows Server 2008 R2 SP1 instalado. Los procedimientos incluidos en este documento son aplicables a la base de datos Oracle 11g R2 con Microsoft Windows Server x64 instalado. Para ver una lista de las configuraciones de red y de almacenamiento admitidas por su sistema, vaya a dell.com/oracle y seleccione **Dell Validated Components** (Componentes validados por Dell).

Documentación necesaria para implantar la base de datos Dell|Oracle 11g R2

La documentación de instalación de la base de datos Dell|Oracle incluye las siguientes guías, además de la Guía de almacenamiento y redes de Sistemas Dell PowerEdge — Base de datos Oracle en Microsoft Windows Server x64 — Guía de almacenamiento y redes:

- *Sistemas Dell PowerEdge — Base de datos Oracle en Microsoft Windows Server x64 — Guía de instalación del sistema operativo y el hardware*: en ella se describen las versiones mínimas de software y hardware necesarias y se explica cómo instalar y configurar el sistema operativo, cómo verificar las configuraciones de hardware y software y cómo obtener archivos de código fuente abierto.
- *Sistemas Dell PowerEdge — Base de datos Oracle en Microsoft Windows Server x64 — Guía de configuración e instalación de la base de datos*: en ella se describe cómo instalar y configurar la base de datos Oracle.
- *Sistemas Dell PowerEdge — Base de datos Oracle en Microsoft Windows Server x64 — Guía de solución de problemas*: en ella se describe cómo solucionar problemas y resolver errores encontrados durante los procedimientos de instalación descritos en los módulos anteriores.

Terminología utilizada en este documento

En este documento se emplean los términos volumen y disco virtual. Dichos términos son sinónimos y pueden utilizarse indistintamente. El término volumen se suele utilizar en un entorno de sistema de almacenamiento iSCSI Dell EqualLogic, mientras que disco virtual suele emplearse en un entorno de almacenamiento SAS e iSCSI Dell PowerVault (Dell PowerVault MD3000/MD32xx/MD36xxi y Dell PowerVault MD3000i/MD32xxi con alojamiento de expansión Dell PowerVault MD1000/MD12xx).

Obtención de ayuda

Asistencia de Dell

- Para obtener información detallada sobre el uso del sistema, consulte la documentación incluida con los componentes del sistema.
- En dell.com/oracle encontrará documentos técnicos, las configuraciones admitidas por Dell e información general.
- Para obtener asistencia técnica de Dell para el hardware y el software del sistema operativo, y para descargar las últimas actualizaciones del sistema, visite support.dell.com.
- Para obtener información sobre los servicios de formación Dell para empresas, visite dell.com/training.



NOTA: Es posible que este servicio de formación no se ofrezca en todas las regiones.

Asistencia de Oracle

- Para obtener información de formación sobre el software Oracle y el software de clúster de aplicaciones e información sobre cómo ponerse en contacto con Oracle, visite oracle.com o consulte la documentación de Oracle.
- Para obtener información sobre asistencia técnica, descargas y otras cuestiones técnicas, visite support.oracle.com.
- Para obtener información sobre cómo instalar y configurar Oracle, consulte *Sistemas Dell PowerEdge — Base de datos Oracle en Microsoft Windows Server x64 — Guía de configuración e instalación de la base de datos* en support.dell.com/manuals.

Configuración de la red

En esta sección se proporciona información sobre cómo configurar la red de clúster pública y privada.



NOTA: Cada nodo requiere una dirección de protocolo Internet (IP) pública y privada exclusivas, así como otra dirección IP pública que se utilizará como dirección IP virtual en las conexiones de cliente y en caso de sustitución tras error de las conexiones. La dirección IP virtual debe pertenecer a la misma subred que la dirección IP pública. Todas las direcciones IP públicas, incluida la dirección IP virtual, deben estar registradas con el servicio de nombres de dominio (DNS). Si no hay ningún servidor DNS disponible, las direcciones IP deben registrarse en el archivo hosts de todos los nodos del clúster.

Según el número de puertos NIC disponibles, configure las interfaces como se muestra en la tabla 2-1.

Tabla 2-1. Asignaciones de puertos NIC

Puerto NIC	Puertos disponibles
1	IP pública, IP virtual e IP de SCAN (nombre de acceso de un cliente)
2	IP privada (grupo de NIC)
3	IP privada (grupo de NIC)

Desactivación de IPv6 para los adaptadores de red

IPv6 no está certificado con infraestructura de rejilla por lo que debe deshabilitarse antes de instalar la infraestructura de rejilla

Para deshabilitar IPv6 en todos los nodos:

- 1 Haga clic en **Inicio**→ **Herramientas administrativas**→**Server Manager** (Administrador de servidores).
- 2 En la ventana **Server Manager** (Administrador de servidores), expanda **Diagnostics** (Diagnóstico).

- 3 Haga clic en **Device Manager** (Administrador de dispositivos)→**View** (Ver)→**Show hidden devices** (Mostrar dispositivos ocultos).
El adaptador del clúster de sustitución tras error de Microsoft y todos los adaptadores de túnel (Microsoft ISATAP, 6to4, Teredo) deben deshabilitarse.
- 4 Abra **Regedit** y el **Registro de copia de seguridad**.
- 5 Vaya a **HKEY_LOCAL_MACHINE\SYSTEM\CurrentControlSet\Services\Tcpip6\Parameters**.
- 6 Haga doble clic en **DisabledComponents** para modificarlo. Si no se enumera ningún valor, haga clic en **Edit** (Edición)→**New** (Nuevo)→**DWORD (32-bit) Value** (Valor DWORD [32 bits]).
- 7 Escriba `DisabledComponents` y pulse **<Intro>**.
- 8 Escriba el valor `DWORD : 0xffffffff`.
Todos los componentes de IPv6 están deshabilitados, excepto la interfaz de bucle invertido de IPv6.

Configuración de la agrupación de NIC para los adaptadores de red privada

- 1 Identifique en el nodo 1 los dos adaptadores de red que se utilizarán para la agrupación de NIC.
- 2 Conecte un cable Ethernet de cada adaptador de red seleccionado al conmutador de la red privada.
- 3 Si el nodo 1 está configurado con NIC Broadcom, vaya al paso 4. Si el nodo 1 está configurado con NIC Intel, realice los pasos siguientes para configurar la agrupación de NIC:
 - a Haga clic en **Inicio**→ **Herramientas administrativas**→ **Administrador de servidores**
 - b En la ventana **Administrador de servidores**, seleccione **Administrador de dispositivos**.
 - c Expanda la ficha **Adaptadores de red**.
 - d Haga clic con el botón derecho del ratón en la NIC Intel identificada para la agrupación de NIC y seleccione **Propiedades**.

- e Haga clic en la ficha **Teaming** (Agrupación).
 - f Seleccione **Team with other Adapters** (Agrupar con otros adaptadores) y, a continuación, seleccione **New Team** (Grupo nuevo).
 - g Especifique un nombre para el grupo de NIC y haga clic en **Next** (Siguiente).
 - h En la casilla **Select the adapters to include in this team box** (Seleccionar los adaptadores que se incluirán en este grupo), seleccione los demás adaptadores de red que ha identificado para la agrupación de NIC y haga clic en **Next** (Siguiente).
 - i En **Select a team mode** (Seleccionar un modo de grupo), seleccione **Adaptive Load Balancing** (Equilibrio de carga adaptable).
 - j Haga clic en **Finish** (Finalizar) para completar el proceso de agrupación.
 - k En la ventana **Team Properties** (Propiedades del grupo), haga clic en **OK** (Aceptar).
 - l En la ventana **Intel NIC's Properties** (Propiedades de NIC Intel), haga clic en **OK** (Aceptar).
 - m Cierre la ventana **Administración de equipos**.
- 4** Si el nodo 1 está configurado con NIC Broadcom, realice los pasos siguientes para configurar la agrupación de NIC. De lo contrario, vaya a paso 5.
- a Haga clic en **Inicio**→ **Todos los programas**→ **Broadcom**→ **Broadcom Advanced Control Suite 3**.
Aparece la ventana **Broadcom Advanced Control Suite 3**.
 - b Seleccione **Team Management** (Administración de grupos), haga clic con el botón derecho del ratón en **Teams** (Grupos) y seleccione **Create a Team** (Crear un grupo).
Aparece la ventana **Broadcom Teaming Wizard** (Asistente para la agrupación de Broadcom).
 - c Haga clic en **Next** (Siguiente).
 - d En el campo **Enter the name for the team** (Introducir un nombre para el grupo), escriba **Privado** y haga clic en **Next** (Siguiente).

- e En el campo **Team Type** (Tipo de grupo), seleccione **Smart Load Balancing (TM) and Failover (SLB)** (Equilibrio de carga y sustitución tras error inteligentes) y haga clic en **Next** (Siguiente).
- f En la casilla **Available Adapters** (Adaptadores disponibles) de la ventana **Assigning Team Members** (Asignación de miembros del grupo), seleccione los adaptadores de red que ha identificado para la agrupación de NIC y añádalos a la casilla **Team Members** (Miembros del grupo).

Si se incluye este adaptador en un grupo, se interrumpirán las funciones de administración del sistema.

- g Haga clic en **Yes** (Sí) para proseguir.
 - h Haga clic en **Next** (Siguiente).
 - i En la ventana **Designating a Standby Member** (Designación de un miembro en espera), seleccione una **NIC** o bien **Do not configure a standby member** (No configurar un miembro en espera).
 - j En la ventana **Configuring Live Link** (Configuración de enlace activo), seleccione **No** y haga clic en **Next** (Siguiente).
 - k En la ventana **VLAN Support** (Compatibilidad con VLAN), seleccione **Add VLAN** (Añadir VLAN) en caso de que necesite configurar una VLAN o bien seleccione **Skip manage VLAN** (Omitir administrar VLAN).
 - l En la última ventana, haga clic en **Preview** (Vista previa) para verificar el grupo de NIC y los adaptadores. Cuando haya terminado, seleccione **Commit changes to system** (Guardar cambios en el sistema) y salga del asistente.
 - m Haga clic en **Finish** (Finalizar).
 - n En la ventana de mensaje de información, haga clic en **Yes** (Sí) para continuar.
 - o En la venta **Broadcom Advanced Control Suite 3**, haga clic en **File** (Archivo)→**Exit**(Salir).
- 5 Repita del paso 1 al paso 4 en los nodos restantes.



NOTA: Se recomienda tener los dos puertos NIC de bonding para la red privada en buses PCI diferentes. Por ejemplo, un par de bonding puede constar de una NIC integrada (LOM) y una tarjeta NIC adicional.

Configuración de las direcciones IP para los adaptadores de red pública y privada

1 Actualice el nombre de interfaz de red del adaptador, si es necesario. De lo contrario, vaya al paso 2.

a En el nodo 1, haga clic en **Inicio**→ **Herramientas administrativas**→ **Administrador de servidores**→ **Ver conexiones de red**.

b En la ventana **Conexiones de red**, haga clic con el botón derecho del ratón en el adaptador de red pública cuyo nombre desea cambiar y seleccione **Cambiar nombre**.



NOTA: Si no utiliza el mismo nombre para los adaptadores públicos y los adaptadores privados en todos los nodos del clúster, el programa de instalación de la base de datos Oracle generará un error y no será posible completar el procedimiento de instalación. Se recomienda encarecidamente usar el mismo nombre para los adaptadores públicos y privados al configurar los adaptadores de red de los nodos del clúster.

c Cambie el nombre del adaptador público a **Público*i*** y pulse <Intro>.

d Haga clic con el botón derecho del ratón en el grupo de NIC privado cuyo nombre desea cambiar y seleccione **Cambiar nombre**.

e Cambie el nombre del grupo de NIC privado a **Privado** y pulse <Intro>.

2 Configure las direcciones IP.

a Haga clic en **Inicio**→ **Herramientas administrativas**→ **Administrador de servidores**→ **Ver conexiones de red**→ **Públicas** → **Propiedades**.

b Haga doble clic en **Protocolo Internet (TCP/IP)**.

c Haga clic en **Usar la siguiente dirección IP**, especifique la dirección IP necesaria, la dirección de puerta de enlace predeterminada y la dirección IP del servidor DNS, y haga clic en **Aceptar**.


d Haga clic en **Aceptar**.

e En la ventana **Propiedades**, haga clic en **Cerrar**.

f Repita del paso a al paso e en el grupo de NIC privado.




NOTA: El grupo de NIC privado no necesita una dirección de puerta de enlace predeterminada ni una entrada de servidor DNS.


- 3 Asegúrese de que los adaptadores de red pública y privada aparecen en el orden adecuado para el acceso mediante servicios de red.
 - a En **Windows Server**, haga clic en **Inicio**→**Buscar programas y archivos**, escriba `View network connections` (Ver conexiones de red). Haga clic en **Ver conexiones de red** en los resultados de la búsqueda.
 - b En la ventana **Conexiones de red**, haga clic en **Organizar**→**Diseño**→**Barra de menús**, **Avanzado** y seleccione **Configuración avanzada**.
 - c Seleccione la ficha **Adaptadores y enlaces**.
 - d Asegúrese de que los adaptadores de red aparecen listados en el orden siguiente:
 - Pública
 - Privada
 - <Cualquier otro adaptador de red>
-  **NOTA:** Haga clic en las teclas de flecha hacia arriba y hacia abajo para cambiar el orden de los adaptadores.
- e Aumente la prioridad de IPv4 con respecto a IPv6.
- f Haga clic en **Aceptar**.
- g Cierre la ventana **Conexiones de red**.
- 4 Repita del paso 1 al paso 4 en los nodos restantes.
- 5 Asegúrese de que los nodos del clúster pueden comunicarse con las redes pública y privada.
 - a En el nodo 1, abra una ventana de indicador de comandos.
 - b En el indicador de comandos, escriba:

```
ping <public_host_name>  
ping <private_host_name>
```

donde *<nombre_host_público>* y *<nombre_host_privado>* son los nombres de host de los adaptadores de red pública y privada del nodo restante.

Si los adaptadores de red del nodo no responden a los comandos ping, revise la configuración de la red y luego repita este paso.

 **NOTA:** El servidor de seguridad de Windows Firewall está activado de forma predeterminada en Windows Server 2008 R2 SP1, lo que provoca que el comando ping falle con IP estáticas. Deshabilite el servidor de seguridad de Windows para poder ejecutar el comando ping en otros nodos.

 **NOTA:** El protocolo Internet virtual (VIP) se configura más adelante y no es posible ejecutar el comando ping en este momento.

c Repita del paso a al paso b en los nodos restantes.

Requisitos para las direcciones IP y la resolución de nombres

Para un clúster que utiliza GNS

Para configurar Oracle 11g R2 Remote Access Control con un servidor de nombres global (GNS) de Oracle, necesita:

- Al menos dos interfaces configuradas en cada nodo, una para la dirección IP privada y otra para la dirección IP pública.
- Un servidor de nombres de dominio (DNS) en ejecución en la red para la resolución de la dirección IP virtual de GNS.
- La entrada de DNS para establecer la búsqueda DNS y dirigir la resolución DNS de un subdominio al clúster.
- Un servicio DHCP en ejecución en la red pública para el clúster.
- Direcciones suficientes en DHCP para proporcionar una dirección IP para la IP virtual de cada nodo y tres direcciones IP para el clúster utilizado por SCAN.

En la tabla 2-2 se describen las interfaces, los valores de dirección IP y las resoluciones de un clúster.

Tabla 2-2. Valores de dirección IP en un clúster que utiliza GNS

Interfaz	Tipo	Resolución
Pública	Estática	%SystemRoot%\system32\drivers\etc\hosts
Privada	Estática	No es necesaria

Tabla 2-2. Valores de dirección IP en un clúster que utiliza GNS (continuación)

Interfaz	Tipo	Resolución
IP virtual del nodo	DHCP	GNS
IP virtual de GNS	Estática	DNS
IP virtual de SCAN	DHCP	GNS

Configuración de un servidor DNS

Para configurar un servidor DNS mediante GNS:

- 1** Configure la dirección VIP de GNS en el servidor DNS: en el DNS, cree una entrada de resolución de nombre para la dirección IP virtual de GNS en las zonas de búsqueda directa.
 - a** Abra **Administrador de DNS**.
 - b** Haga clic en **Servidor DNS**→ **Zonas de búsqueda directa**→ **Dominio DNS**.
 - c** Haga clic con el botón derecho del ratón en **Dominio DNS** (Dominio DNS) y seleccione **Host nuevo (A or AAAA)**.
 - d** En las ventanas **Host nuevo**, introduzca el nombre y la dirección IP para la dirección IP virtual de GNS.
 - e** Haga clic en **Agregar host**.
 - f** Haga clic en **Aceptar**.
 - g** En la ventana **Host nuevo**, haga clic en **Listo**.
Por ejemplo: `gns-server Host A 192.0.2.2`
donde *gns-server* es la dirección IP virtual de GNS proporcionada durante la instalación de Grid. La dirección que proporcione debe ser enrutable y debe encontrarse dentro del rango público. Por ejemplo, 192.0.2.2.
- 2** Configure la delegación de subdominio de GNS: en el servidor DNS, establezca una búsqueda DNS que dirija la resolución DNS de un subdominio de GNS al clúster. Abra **DNS-Manager** (Administrador de DNS) y haga lo siguiente:
 - a** Haga clic en **Servidor DNS**→ **Reenviadores condicionales**.
 - b** Haga clic con el botón derecho del ratón en **Reenviadores condicionales** y seleccione **Nuevo reenviador condicional**.

- c En la ventana **Nuevos reenviadores condicionales**, introduzca el subdominio de GNS y la dirección VIP de GNS (lo que debe proporcionar durante la instalación de Grid).
Ejemplo: `clusterdomain.subdomain.com`
(GNS Sub-domain) 192.0.2.2 (VIP de GNS configurada en el paso 1)
- d Haga clic en **Aceptar**.
- e Reinicie el servicio DNS.

Configuración de la resolución de nombres de host

Añada entradas de host en el nombre de dominio del archivo `%SystemRoot%\system32\drivers\etc\hosts`. En cada nodo, modifique las líneas del archivo `%SystemRoot%\system32\drivers\etc\hosts`; para ello, escriba:

```
127.0.0.1 localhost
<public IP node1> <public hostname node1>
<public IP node2> <public hostname node2>
```

Para un clúster que utiliza DNS

Para configurar Oracle 11g R2 RAC con DNS de Oracle (sin GNS):

- 1 Configure al menos dos interfaces en cada nodo, una para la dirección IP privada y otra para la dirección IP pública.
- 2 Configure un NOMBRE SCAN para el DNS destinado a la resolución de la operación por turnos con un máximo de tres direcciones (recomendado) y un mínimo de una dirección. Las direcciones de SCAN deben encontrarse en la misma subred que las direcciones IP virtuales y que las direcciones IP públicas.



NOTA: Para obtener una alta disponibilidad y escalabilidad, se recomienda configurar SCAN de modo que utilice la resolución por turnos en tres direcciones IP. El nombre de SCAN no puede empezar por un número. Para que la instalación sea correcta, SCAN debe resolverse en al menos una dirección.

En la tabla 2-3 se describen las interfaces, los valores de dirección IP y las resoluciones de un clúster.

Tabla 2-3. Valores de dirección IP en un clúster que utiliza DNS

Interfaz	Tipo	Resolución
Pública	Estática	%SystemRoot%\system32\drivers\etc\hosts o DNS
Privada	Estática	No es necesaria
IP virtual del nodo	Estática	%SystemRoot%\system32\drivers\etc\hosts o DNS
IP virtual de SCAN	Estática	DNS

Configuración de un servidor DNS

Para configurar los cambios en un servidor DNS para un clúster Oracle 11g R2 que utiliza un DNS (sin GNS):

- 1 Configure la resolución del NOMBRE SCAN en el servidor DNS.
- 2 En el DNS, cree una entrada de resolución de nombre para la dirección IP virtual de GNS en el archivo de búsqueda directa.
- 3 Abra **Administrador de DNS**.
- 4 Haga clic en **Servidor DNS** → **Zonas de búsqueda directa** → **Dominio DNS**.
- 5 Haga clic con el botón derecho del ratón en **Dominio DNS** y seleccione **Host nuevo (A o AAAA)**.
- 6 En la ventana **Host nuevo**, introduzca el nombre y la dirección IP para la dirección IP virtual de GNS.
- 7 Haga clic en **Agregar host**.
- 8 Haga clic en **Aceptar**.
- 9 Añada tres IP / host virtuales con el mismo nombre SCAN.

- 10 En la ventana **Host nuevo**, haga clic en **Listo**.

Por ejemplo:

```
scancluster Host A 192.0.2.1
```

```
scancluster Host A 192.0.2.2
```

```
scancluster Host A 192.0.2.3
```

Donde *scancluster* es el NOMBRE SCAN proporcionado durante la instalación de Grid.



NOTA: La dirección IP de SCAN debe ser enrutable y debe encontrarse dentro del rango público.

Configuración de la resolución de nombres de host

Para configurar los cambios necesarios en los nodos del clúster para la resolución de nombres:

- 1 Añada entradas de host en el archivo
`%SystemRoot%\system32\drivers\etc\hosts`.
- 2 En cada nodo, modifique las líneas del archivo
`%SystemRoot%\system32\drivers\etc\hosts`; para ello, escriba:

```
127.0.0.1 localhost
<public IP node1> <public hostname node1>
<public IP node2> <public hostname node2>
<virtual IP node1> <virtual hostname node1>
<virtual IP node2> <virtual hostname node2>
```

Habilitación de IPMI

Intelligent Platform Management Interface (IPMI) proporciona un conjunto de interfaces comunes para el hardware y el firmware que los administradores del sistema pueden utilizar para gestionar el sistema y supervisar su estado. Con Oracle 11g R2, el software de clúster Oracle puede integrar IPMI para proporcionar compatibilidad con aislamiento de fallos y para garantizar la integridad del clúster.

Requisitos previos para habilitar IPMI

Cada nodo del clúster requiere una controladora de administración de la placa base (BMC) que ejecute un firmware compatible con la versión 1.5 o posterior de IPMI y que esté configurada para el control remoto mediante LAN. Use el soporte multimedia de Dell OpenManage para instalar las utilidades de BMC DRAC.



NOTA: Se recomienda utilizar una red de administración dedicada (puerto DRAC) para IPMI.

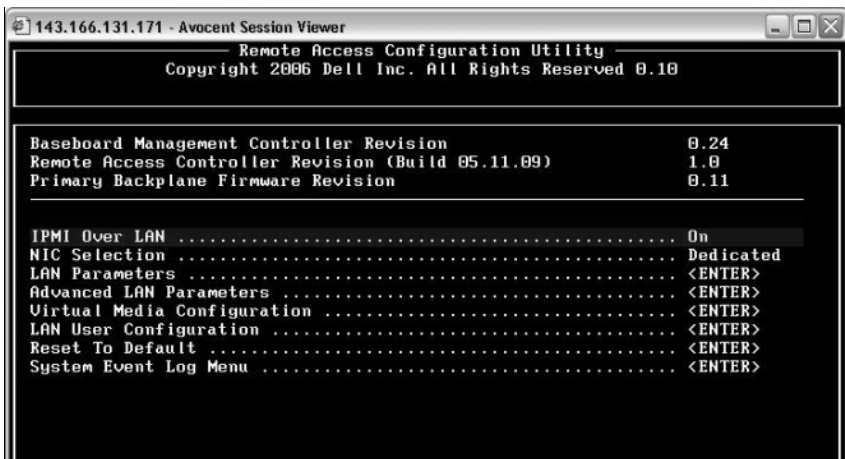
Configuración del sistema administrado

Antes de usar la **utilidad de administración de BMC**, configure las funciones necesarias tales como BIOS del sistema, red, clave de cifrado de IPMI y configuración de conexión serie, dependiendo de las funciones que se realizarán, para activar el acceso al BMC.

Para usar la **utilidad de administración de BMC**, debe disponer de una conexión funcional entre la estación de administración y el puerto del BMC de destino. Esta sección describe los procedimientos básicos para preparar el acceso y la administración del BMC mediante la **utilidad de administración de BMC**.

Configuración del controlador de administración de la placa base

Puede llevar a cabo una configuración básica del BMC mediante la utilidad de configuración de acceso remoto durante el inicio del sistema.



Acceso a la utilidad de configuración de acceso remoto

- 1 Encienda o reinicie el sistema.
- 2 Presione <Ctrl><E> cuando se le solicite tras la POST.

Si el sistema operativo empieza a cargarse antes de presionar <Ctrl><E>, espere a que el sistema termine de iniciarse, reinicie el sistema e inténtelo de nuevo.

Opciones de la utilidad de configuración de acceso remoto

La tabla 2-4 enumera las opciones de la utilidad de configuración de acceso remoto y muestra cómo configurar el BMC en un sistema administrado. Después de introducir todos los valores, presione <Esc> y seleccione una de las opciones siguientes:

- **Guardar cambios y salir:** Guarda todas las anotaciones realizadas en la utilidad de configuración de acceso remoto.
- **Descartar cambios y salir:** Cancela todas las anotaciones realizadas en la utilidad de configuración de acceso remoto.
- **Volver a la configuración:** Continuar usando la utilidad de configuración de acceso remoto.

Tabla 2-4. Opciones de la utilidad de configuración de acceso remoto

Opción	Descripción
IPMI en la LAN	Activar.
Selección de NIC	Dedicado. Activa el dispositivo de acceso remoto para utilizar la interfaz dedicada de red que está disponible en la Controladora de acceso remoto. Esta interfaz no se comparte con el sistema operativo del host y enruta el tráfico de administración de sistemas a una red física separada, lo cual le permite quedar separado del tráfico de la aplicación. NOTA: Esta opción sólo está disponible en sistemas que tienen un DRAC instalado.
Parámetros de la LAN	
Origen de dirección IP	La controladora de red tiene asignada una dirección IP estática o una dirección de DHCP.
Dirección IP de Ethernet	La dirección IP estática del BMC. Este campo está limitado al valor máximo 255.255.255.255. Se aplican las siguientes reglas IPv4: <ul style="list-style-type: none"> • Las direcciones IP no pueden ser 127.xxx.xxx.xxx, donde xxx varía entre 0 y 255. • El primer octeto debe estar entre 1 y 223 (por ejemplo, 143.xxx.xxx.xxx) NOTA: Cuando el BMC no puede comunicarse con el servidor DHCP, se genera la dirección IP 169.254.0.2 máscara de subred 255.255.0.0.
Másc. subred	La máscara de subred de la dirección IP estática. NOTA: Cuando el BMC no puede comunicarse con el servidor DHCP, se genera la dirección IP 169.254.0.2 máscara de subred 255.255.0.0.
Puerta de enlace predeterminada	La puerta de enlace IP de la dirección IP estática.

Tabla 2-4. Opciones de la utilidad de configuración de acceso remoto (continuación)

Opción	Descripción
Configuración de usuario de LAN	Permite configurar el nombre, la contraseña y los privilegios del usuario, y permite el acceso de usuario para Identificación de usuario=2.
Acceso a la cuenta	Habilitada.
Privilegio de la cuenta	Defina la cuenta como: Admin .
Nombre de usuario de la cuenta	Asigne el nombre de usuario de la cuenta.
Introducir la contraseña	Introduzca la contraseña del usuario de esta cuenta. Debe ingresar al menos un carácter no nulo.
Confirmar la contraseña	Confirme la contraseña que introdujo.



NOTA: Si el primer controlador de interfaz de red integrado (NIC 1) se utiliza en un equipo de Ether Channel o en un equipo de agregación de vínculos, el tráfico de administración del BMC no funcionará en sistemas PowerEdge **x8xx**. La opción de formación de equipos de NIC se admite en los sistemas PowerEdge **x9xx** y **xx0x**. Para obtener más información sobre la colaboración de red, consulte la documentación del controlador de interfaz de red.

- Compruebe que es posible acceder a la BMC y controlarla desde un nodo remoto del clúster mediante el comando **bmc info**.


Por ejemplo, si `node2-ipmi` es el nombre de host de red asignado a la BMC para `node2`, para comprobar la BMC en `node2` desde `node1`, introduzca el comando siguiente en `node1`:

```
$ ipmitool -H node2-ipmi -U bmcuser -P password  
bmc info
```

Utilice `root` como cuenta de administrador y `calvin` como contraseña.

Si la BMC está configurada correctamente, se mostrará la información sobre la BMC en el nodo remoto. Si aparece un mensaje de error, parecido a **Error: Unable to establish LAN session** (Error: no es posible establecer la sesión de LAN), compruebe la configuración de la BMC en el nodo remoto.

Configuración de un clúster SAS para almacenamientos Dell PowerVault

 **AVISO:** Antes de iniciar cualquiera de los procedimientos descritos en esta sección, lea la información de seguridad suministrada con el sistema. Para obtener información adicional sobre prácticas recomendadas, visite dell.com/regulatory_compliance.

Para configurar los sistemas Dell PowerEdge y el alojamiento para almacenamiento Dell PowerVault MD32xx y MD12xx de modo que funcionen en un entorno Oracle Real Application Cluster (RAC):

- 1 Verifique las configuraciones de hardware y software de acuerdo con la ilustración 3-1, la ilustración 3-2 y la tabla 3-1.
- 2 Realice los pasos que se describen en "Configuración del hardware" en la página 321.

 **PRECAUCIÓN:** Antes de actualizar el firmware de la matriz de almacenamiento PowerVault MD32xx, asegúrese de realizar una copia de seguridad de los datos.

Ilustración 3-1. Cableado del clúster SCSI de conexión serie (SAS) y el alojamiento para almacenamiento Dell PowerVault MD32xx

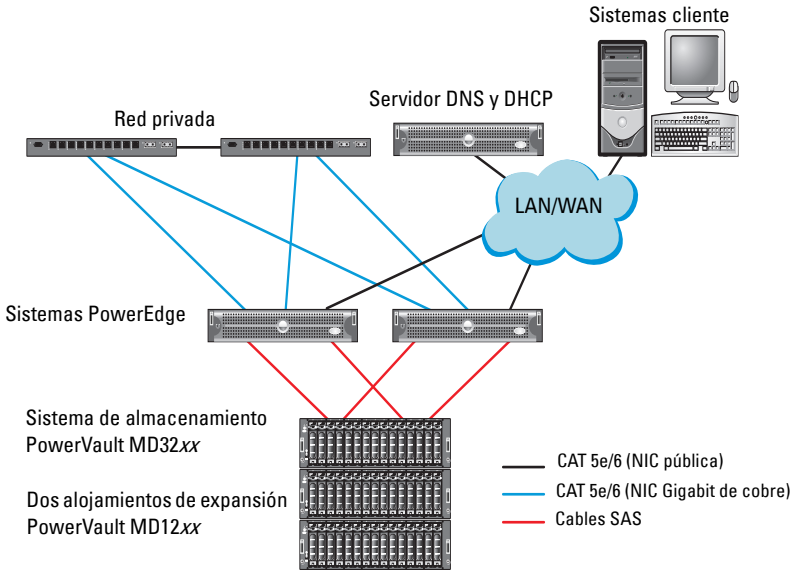


Tabla 3-1. Interconexiones de hardware del clúster SAS

Componente del clúster	Conexiones
Nodo del sistema PowerEdge	<ul style="list-style-type: none"> • Un cable CAT 5e/6 de la NIC pública a la red de área local (LAN) • Un cable CAT 5e/6 de la NIC Gigabit privada al conmutador Ethernet Gigabit (red privada) • Un cable CAT 5e/6 de la NIC Gigabit privada redundante al conmutador Ethernet Gigabit redundante (red privada) • Dos conexiones SAS al nodo del sistema PowerVault MD32xx mediante HBA SAS 6 Gbps

Tabla 3-1. Interconexiones de hardware del clúster SAS (continuación)

Componente del clúster	Conexiones
Alojamiento para almacenamiento PowerVault MD32xx	<ul style="list-style-type: none">• Dos cables CAT 5e/6 conectados a la LAN (uno desde cada módulo del procesador de almacenamiento)• Dos conexiones SAS a cada nodo del sistema PowerEdge mediante cables SAS 6/E <p>NOTA: Para obtener más información sobre la interconexión de alojamientos para almacenamiento PowerVault MD32xx, consulte "Configuración del hardware" en la página 321.</p>
Alojamiento para almacenamiento PowerVault MD12xx (opcional)	Las conexiones de cable SAS adicionales que sean necesarias para los alojamientos de expansión PowerVault MD12xx

Configuración del hardware

Los clústeres SAS sólo se pueden instalar en un clúster de conexión directa y están limitados a dos nodos únicamente.

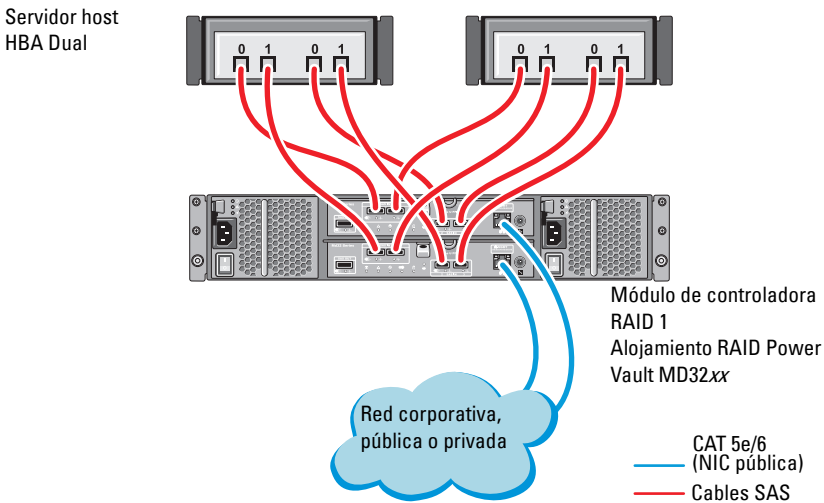
Para configurar los nodos con una configuración de conexión directa:

- 1 Conecte un cable SAS de un puerto de la controladora SAS del nodo 1 al puerto **In-0** de la controladora RAID 0 en el alojamiento para almacenamiento PowerVault MD32xx.
- 2 Conecte un cable SAS del otro puerto de la controladora SAS del nodo 1 al puerto **In-0** de la controladora RAID 1 en el alojamiento para almacenamiento PowerVault MD32xx.
- 3 Conecte un cable SAS de un puerto de la controladora SAS del nodo 2 al puerto **In-1** de la controladora RAID 0 en el alojamiento para almacenamiento PowerVault MD32xx.
- 4 Conecte un cable SAS del otro puerto de la controladora SAS del nodo 2 al puerto **In-1** de la controladora RAID 1 en el alojamiento para almacenamiento PowerVault MD32xx.
- 5 Si procede, conecte dos cables SAS de los dos puertos de **salida** de los alojamientos para almacenamiento PowerVault MD32xx a los dos puertos de **entrada** del primer alojamiento de expansión PowerVault MD12xx.

- 6 Si procede, conecte dos cables SAS de los dos puertos de salida de los alojamientos para almacenamiento PowerVault MD12xx a los puertos In-0 del segundo alojamiento de expansión PowerVault MD12xx.

NOTA: Para obtener información sobre cómo configurar el alojamiento de expansión PowerVault MD12xx, consulte la documentación del sistema de almacenamiento PowerVault MD12xx en support.dell.com/manuals.

Ilustración 3-2. Cableado del clúster SAS de conexión directa



Instalación del software de almacenamiento basado en host

Para instalar el software de almacenamiento basado en host necesario para el alojamiento para almacenamiento PowerVault MD32xx, utilice el soporte multimedia de recursos de Dell PowerVault que se incluye con el sistema. Para instalar el software Modular Disk Storage Manager (MDSM) en el nodo maestro y el software E/S de múltiples rutas (MPIO) en los demás nodos, siga los procedimientos descritos en la documentación del alojamiento para almacenamiento PowerVault MD32xx.

Verificación y actualización del firmware

Para verificar y actualizar el firmware:

- 1 Detecte el almacenamiento de conexión directa del sistema host mediante el software MDSM que está instalado en el sistema host.
- 2 Compruebe que la versión del firmware de los componentes de almacenamiento siguientes es la mínima necesaria:
 - Firmware de la controladora RAID
 - Firmware del sistema de almacenamiento PowerVault MD32xx
 - Firmware del alojamiento de expansión PowerVault MD12xx



NOTA: Para consultar los requisitos de versión mínimos del firmware, seleccione el enlace **Dell Validated Components** (Componentes validados por Dell) en dell.com/oracle.

Instalación del controlador del adaptador HBA SAS

Instale el controlador HBA SAS desde el soporte multimedia de *recursos* de PowerVault MD32xx.



NOTA: Asegúrese de que la versión del controlador HBA SAS es igual o superior a la versión que se indica en la lista de soluciones disponibles (Solution Deliverable List, SDL), que se puede obtener para cada componente validado por Dell en dell.com/oracle.

Para obtener ayuda para instalar controladores en ambos nodos del clúster, consulte la documentación que se suministra con el alojamiento para almacenamiento PowerVault MD32xx y los HBA SAS.

Instalación del software de almacenamiento basado en host

Instalación del software

El soporte multimedia de recursos de PowerVault serie MD32xx contiene software y controladores.

En la raíz del soporte multimedia hay un archivo readme.txt con información sobre los cambios en el software, actualizaciones, correcciones, parches y otros datos importantes para los sistemas operativos Windows. En el archivo readme.txt también se especifican los requisitos para acceder a la documentación, información relativa a versiones del software del soporte multimedia y requisitos del sistema para ejecutar el software.

Para obtener más información sobre el hardware y el software admitidos para los sistemas Dell PowerVault, consulte la Matriz de compatibilidad en support.dell.com/manuals.



NOTA: Se recomienda instalar las actualizaciones más recientes disponibles en support.dell.com.

Instalación del software MD Storage

El programa de instalación del software de almacenamiento de PowerVault serie MD32xx incluye software central y proveedores. La función de software central incluye el agente de almacenamiento basado en host, el controlador de múltiples rutas y la aplicación MD Storage Manager, que se utiliza para configurar, administrar y supervisar la solución de matriz de almacenamiento.

La función de proveedores incluye proveedores para la estructura de Virtual Disk Service (VDS, Servicio de disco virtual) de Microsoft y Volume Shadow-Copy Service (VSS, Servicio de instantáneas de volumen) de Microsoft.



NOTA: Para obtener más información sobre los proveedores de VDS y VSS de Microsoft, consulte el Manual del propietario.



NOTA: Para instalar el software en un sistema Windows, debe tener privilegios de administrador.

El soporte multimedia de recursos de PowerVault serie MD32xx ofrece los métodos de instalación siguientes:

- Instalación basada en interfaz gráfica de usuario (recomendada): el programa de instalación presenta una interfaz gráfica guiada por un asistente que permite personalizar los componentes a instalar.
- Instalación silenciosa: este procedimiento de instalación resulta útil para los usuarios que prefieren crear instalaciones con secuencias de comandos.

Instalación gráfica (recomendada)

Para realizar una instalación gráfica:

- 1 Cierre todos los programas antes de instalar software nuevo.
- 2 Inserte el soporte multimedia de recursos.
- 3 Seleccione **Instalar software de almacenamiento MD32xx**.



NOTA: Si el servidor host ejecuta la versión Windows Server Core o si la barra de ejecución rápida no se ejecuta automáticamente, vaya a la raíz del soporte multimedia y ejecute **md_launcher.exe** para Windows.

- 4 Instale el software MD Storage. Seleccione una de las opciones de instalación siguientes:
 - **Full (Completa):** este paquete instala el software central, los proveedores y las utilidades. Incluye el agente de almacenamiento basado en host necesario, el controlador multirruta, MD Storage Manager, los proveedores y las utilidades opcionales.
 - **Host Only (Sólo host):** este paquete incluye el agente de contexto de host, los controladores multirruta y las utilidades opcionales necesarias para configurar el host.
 - **Management Station (Estación de administración):** este paquete incluye MD Storage Manager, los proveedores y las utilidades opcionales.
 - **Custom (Personalizada):** esta opción permite seleccionar componentes específicos.
- 5 Reinicie los servidores host.

Instalación silenciosa

Esta opción permite instalar el software en modo desatendido. Para ejecutar la instalación silenciosa en un sistema Windows, realice los pasos que se indican a continuación:

- 1 Para empezar la instalación con todas las opciones predeterminadas, vaya a la carpeta de Windows del soporte multimedia de recursos y ejecute el comando siguiente:

```
md32xx_install -i silent
```

- 2 Para especificar qué funciones se instalarán de forma silenciosa, modifique el archivo `custom_silent.properties`, situado en el mismo directorio, y cópielo en una ubicación donde se pueda escribir del servidor host. Este archivo contiene una lista de las funciones admitidas y sus descripciones. Para utilizar el archivo `custom_silent.properties` modificado, ejecute el comando:

```
md32xx_install -f
```

```
C:\path\to\custom_silent.properties
```

Tareas posteriores a la instalación

Antes de utilizar la matriz de almacenamiento PowerVault serie MD32xx por primera vez, debe realizar una serie de tareas de configuración inicial en el orden que se indica. Estas tareas se realizan con el software MD Storage Manager (MDSM).


Para realizar las tareas posteriores a la instalación:


- 1 Para la administración fuera de banda, defina la configuración de red para cada módulo de controladora RAID, incluidas la dirección de protocolo Internet (IP), la máscara de subred y la puerta de enlace.



NOTA: Puede definir la configuración de red mediante un servidor DHCP.

- 2 Inicie MDSM.
 - En los sistemas operativos Microsoft Windows, haga clic en **Inicio**→ **Programas**→ **Dell**→ **MD Storage Manager**→ **Modular Disk Storage Manager Client**.
- 3 En la ventana **Enterprise Management Window (EMW)**, vaya a **Setup (Configurar)**→ **Add Storage Array (Agregar matriz de almacenamiento)** e inicie la detección automática de sistemas.

 **NOTA:** Sólo se detectarán las matrices de almacenamiento configuradas con la dirección IP en la misma subred que las estaciones de administración.

 **NOTA:** El proceso de detección puede tardar varios minutos en completarse. Si cierra la ventana de estado de la detección automática antes de que finalice el proceso de detección, éste se detendrá.

Una vez finalizado el proceso de detección, aparece una pantalla de confirmación.

- 4 Haga clic en **Close** (Cerrar) para cerrar la pantalla.

Verificación de la detección de matrices de almacenamiento

La opción de detección automática identifica automáticamente tanto las matrices en banda como fuera de banda y las añade al dominio de administración. Si las conexiones en banda o fuera de banda que se muestran en la página de resumen no son precisas, realice los pasos que se indican a continuación.

Para verificar la detección de matrices de almacenamiento:

- 1 Compruebe si hay algún error en el hardware y las conexiones. Para ver procedimientos específicos sobre cómo solucionar problemas de la interfaz, consulte el *Manual del propietario* correspondiente a la matriz de almacenamiento.
- 2 Verifique que la matriz se encuentra en la subred local. En caso contrario, haga clic en el enlace **New** (Nueva) para añadirla manualmente.
- 3 Compruebe que todas las matrices de almacenamiento tienen el estado **Óptimo**. Si alguna matriz presenta el estado No responde, lleve a cabo los pasos siguientes:
 - a Para quitar la matriz del dominio de administración, resáltela y haga clic en el enlace **Remove** (Quitar).
 - b Para añadir una matriz, haga clic en el enlace **New** (Nueva) y en **OK** (Aceptar).
- 4 Si el estado de la matriz sigue siendo No responde, póngase en contacto con Dell.

Tareas de configuración inicial

Para realizar las tareas de configuración inicial:

- 1 El nombre de la primera matriz de almacenamiento encontrada se muestra en la ficha **Devices** (Dispositivos) de la ventana EMW. Para ver una lista de todas las matrices de almacenamiento encontradas en la red local, expanda la ficha **Discovered Storage Arrays** (Matrices de almacenamiento encontradas) en el panel **Device** (Dispositivo) de la ventana EMW.
- 2 El nombre predeterminado de una matriz de almacenamiento de la serie MD32xx recién instalada es **Unnamed** (Sin nombre). Si aparece otro nombre en MDSM, haga clic en la flecha hacia abajo situada junto al nombre y haga clic en **Unnamed** (Sin nombre) en la lista desplegable.
- 3 Haga doble clic en la matriz detectada para abrir la ventana de administración de matrices y modifique la configuración de la matriz.
- 4 Haga clic en **Perform Initial Setup Tasks** (Realizar tareas de configuración inicial) para ver un esquema y enlaces al resto de las tareas posteriores a la instalación. Ahora ya se puede configurar la matriz.



NOTA: Antes de configurar la matriz de almacenamiento, compruebe los iconos de estado del panel **Device** (Dispositivo) para asegurarse de que los alojamientos de la matriz de almacenamiento tienen el estado Óptimo. Para obtener más información, consulte el *Manual del propietario* correspondiente a la matriz de almacenamiento en support.dell.com/manuals.

Habilitación de las funciones Premium (opcional)

Si ha solicitado funciones avanzadas, siga las instrucciones de la tarjeta de funciones avanzadas para instalar las funciones adicionales.

Configuración de un clúster iSCSI para alojamientos para almacenamiento Dell PowerVault



AVISO: Antes de iniciar cualquiera de los procedimientos descritos en esta sección, lea la información de seguridad suministrada con el sistema. Para obtener información adicional sobre prácticas recomendadas, visite dell.com/regulatory_compliance.

En esta sección se proporciona la información y los procedimientos necesarios para configurar el sistema Dell PowerEdge y los alojamientos para almacenamiento PowerVault MD32xx y MD12xx de modo que funcionen en un entorno Oracle Real Application Cluster (RAC).

Compruebe las conexiones de hardware y las configuraciones de hardware y software en la sección sobre configuraciones admitidas del documento *Dell PowerVault MD32xxi Support Matrix* (Tabla de compatibilidades de Dell PowerVault MD32xxi), disponible en support.dell.com/manuals.

Tabla 4-1. Interconexiones de hardware iSCSI

Componente del clúster	Conexiones
Nodo del sistema PowerEdge	<ul style="list-style-type: none"> • Un cable CAT 5e/6 de la NIC pública a la red de área local (LAN) • Un cable CAT 5e/6 de la NIC Gigabit privada al conmutador Ethernet Gigabit (red privada) • Un cable CAT 5e/6 de la NIC Gigabit privada redundante al conmutador Ethernet Gigabit redundante (red privada) • Un cable CAT 5e/6 de una NIC Gigabit iSCSI a un conmutador Ethernet Gigabit (red iSCSI)

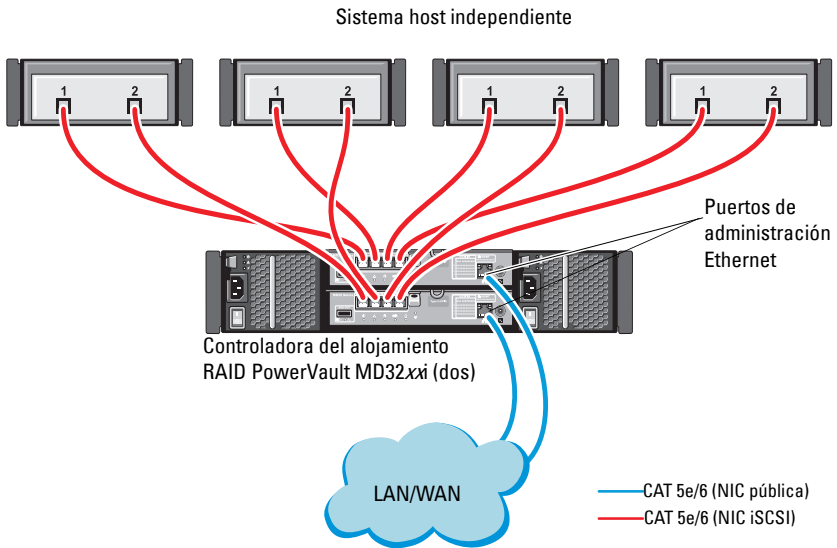
Tabla 4-1. Interconexiones de hardware iSCSI (continuación)

Componente del clúster	Conexiones
Sistema de almacenamiento PowerVault MD30xxi	<ul style="list-style-type: none">• Dos cables CAT 5e/6 conectados a la LAN (uno desde cada módulo del procesador de almacenamiento) para la interfaz de administración• Dos cables CAT 5e/6 por procesador de almacenamiento para la interconexión iSCSI <p>NOTA: Para obtener información adicional sobre el alojamiento para almacenamiento PowerVault MD32xxi, consulte la documentación de PowerVault MD32xxi en support.dell.com/manuals.</p>
Alojamiento de expansión de almacenamiento PowerVault MD12xx (opcional)	Las conexiones de cable SAS adicionales que sean necesarias para los alojamientos de expansión PowerVault MD12xx

Configuración del hardware

Los clústeres iSCSI de conexión directa están limitados a dos nodos únicamente.

Ilustración 4-1. Cableado de los clústeres iSCSI de conexión directa



Para configurar los nodos en una configuración de conexión directa, vea la ilustración 4-1.

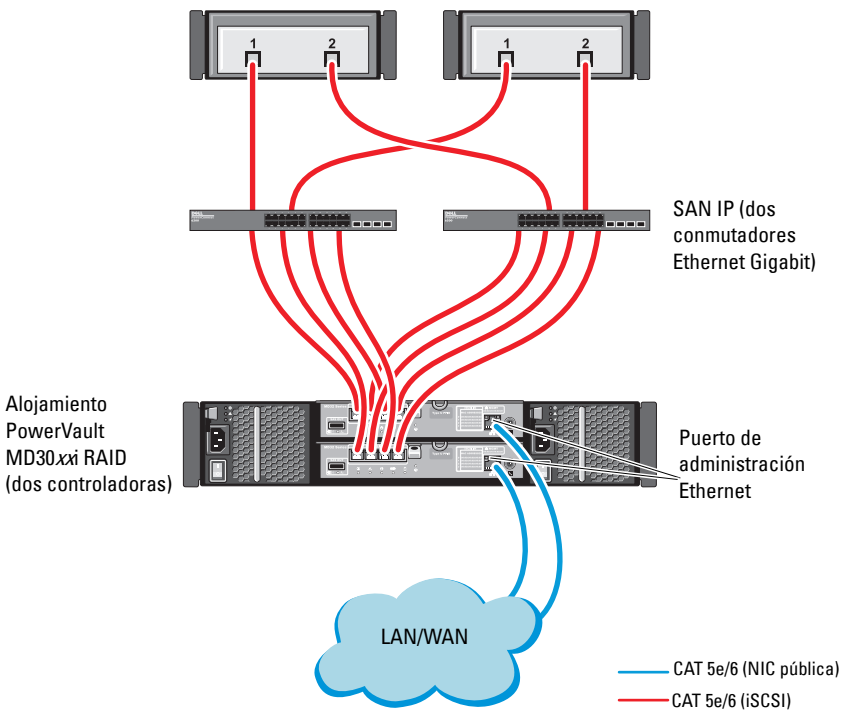
- 1 Conecte un cable CAT 5e/6 de un puerto (NIC o HBA iSCSI) del nodo 1 al puerto **In-0** de la controladora RAID 0 en el alojamiento para almacenamiento PowerVault MD32xxi.
- 2 Conecte un cable CAT 5e/6 del otro puerto (NIC o HBA iSCSI) del nodo 1 al puerto **In-0** de la controladora RAID 1 en el alojamiento para almacenamiento PowerVault MD32xxi.
- 3 Conecte un cable CAT 5e/6 de un puerto (NIC o HBA iSCSI) del nodo 2 al puerto **In-1** de la controladora RAID 0 en el alojamiento para almacenamiento PowerVault MD32xxi.
- 4 Conecte un cable CAT 5e/6 del otro puerto (NIC o HBA iSCSI) del nodo 2 al puerto **In-1** de la controladora RAID 1 en el alojamiento para almacenamiento PowerVault MD32xxi.
- 5 Repita del paso 1 al paso 4 en el nodo 3 y el nodo 4 para conectarlos al In-2 y al In-3 de la controladora RAID 0 y de la controladora RAID 1.
- 6 Si procede, conecte dos cables SAS de los dos puertos de **salida** de los alojamientos para almacenamiento PowerVault MD32xxi a los dos puertos de entrada del primer alojamiento de expansión PowerVault MD12xx.
- 7 Si procede, conecte dos cables SAS de los dos puertos de **salida** de los alojamientos para almacenamiento PowerVault MD12xx a los puertos de **entrada** del segundo alojamiento de expansión MD12xx.



NOTA: Para obtener información sobre cómo configurar el alojamiento de expansión PowerVault MD12xx, consulte la documentación del sistema de almacenamiento PowerVault MD32xxi en support.dell.com/manuals.

Los clústeres iSCSI conmutados pueden admitir hasta treinta y dos nodos.

Ilustración 4-2. Cableado de los clústeres iSCSI conmutados



Para configurar los nodos en una configuración conmutada, vea la ilustración 4-2.

- 1 Conecte un cable CAT 5e/6 de un puerto (NIC o HBA iSCSI) del nodo 1 al puerto del conmutador de red 1.
- 2 Conecte un cable CAT 5e/6 de un puerto (NIC o HBA iSCSI) del nodo 1 al puerto del conmutador de red 2.
- 3 Conecte un cable CAT 5e/6 de un puerto (NIC o HBA iSCSI) del nodo 2 al puerto del conmutador de red 1.
- 4 Conecte un cable CAT 5e/6 de un puerto (NIC o HBA iSCSI) del nodo 2 al puerto del conmutador de red 2.
- 5 Conecte dos cables CAT 5e/6 del conmutador 1 al puerto **In-0** de la controladora RAID 0 en el alojamiento para almacenamiento PowerVault MD32xxi.
- 6 Conecte dos cables CAT 5e/6 de otros dos puertos del conmutador 1 a la controladora RAID 1 en el alojamiento para almacenamiento PowerVault MD32xxi.
- 7 Conecte dos cables CAT 5e/6 de un puerto del conmutador 2 a la controladora RAID 0 en el alojamiento para almacenamiento PowerVault MD32xxi.
- 8 Conecte dos cables CAT 5e/6 de otros dos puertos del conmutador 2 a la controladora RAID 1 en el alojamiento para almacenamiento PowerVault MD32xxi.
- 9 Si procede, conecte dos cables SAS de los dos puertos de **salida** de los alojamientos para almacenamiento PowerVault MD32xxi a los dos puertos de **entrada** del primer alojamiento de expansión PowerVault MD12xx.
- 10 Si procede, conecte dos cables SAS de los dos puertos de **salida** de los alojamientos para almacenamiento PowerVault MD32xx a los puertos de **entrada** del segundo alojamiento de expansión PowerVault MD12xx.



NOTA: Para obtener información sobre cómo configurar el alojamiento de expansión PowerVault MD12xx, consulte la documentación del sistema de almacenamiento PowerVault MD32xxi en support.dell.com/manuals. Se recomienda utilizar una red independiente para la infraestructura de almacenamiento iSCSI. Si no es posible dedicar una red independiente para iSCSI, asigne la función de almacenamiento a una red de área local virtual (VLAN) distinta; esto crea redes lógicas independientes en una red física.

Instalación del software basado en host necesario para el almacenamiento

Para instalar el software de almacenamiento basado en host necesario para el sistema de almacenamiento PowerVault MD32xxi, utilice el soporte multimedia de *recursos de Dell PowerVault* entregado con el sistema de almacenamiento PowerVault MD32xxi. Siga los procedimientos descritos en la documentación del alojamiento para almacenamiento PowerVault MD32xxi, disponible en support.dell.com/manuals, para instalar el software Modular Disk Storage Manager (MDSM) en el nodo maestro y el software multirruta (MPIO) en los demás nodos.

Verificación y actualización del firmware

Para verificar y actualizar el firmware:

- 1 Detecte el almacenamiento de conexión directa del sistema host mediante el software MDSM que está instalado en el sistema host.
- 2 Compruebe que la versión del firmware de los componentes de almacenamiento siguientes es la mínima necesaria.
 - Firmware del sistema de almacenamiento MD32xxi
 - Firmware del alojamiento de expansión MD12xx



NOTA: Para consultar los requisitos de versión mínimos del firmware, seleccione el enlace **Dell Validated Components** (Componentes validados por Dell) en dell.com/oracle.

Configuración de un clúster iSCSI para los alojamientos para almacenamiento Dell PowerVault MD32xxi y MD12xx

Configuración del hardware

Para obtener ayuda sobre cómo configurar o instalar el alojamiento de expansión PowerVault MD32xxi y PowerVault MD12xx, consulte la documentación de PowerVault disponible en support.dell.com/manuals.

Instalación del software de almacenamiento basado en host

El instalador de software de almacenamiento de PowerVault serie MD32xxi incluye el software principal, proveedores y utilidades opcionales. La función de software central incluye el agente de almacenamiento basado en host, el controlador de múltiples rutas y la aplicación MD Storage Manager (MDSM), que se utiliza para configurar, administrar y supervisar la solución de matriz de almacenamiento. La función de proveedores incluye proveedores para la estructura de Virtual Disk Service (VDS, Servicio de disco virtual) de Microsoft y Volume Shadow-Copy Service (VSS, Servicio de instantáneas de volumen) de Microsoft. Modular Disk Configuration Utility (MDCU) es una utilidad opcional que proporciona un enfoque consolidado para configurar los puertos de administración y los puertos de host iSCSI y para crear sesiones para las matrices de almacenamiento Modular Disk iSCSI. Se recomienda instalar y utilizar MDCU para configurar iSCSI en cada uno de los hosts conectados a la matriz de almacenamiento.



NOTA: Para obtener más información sobre los proveedores de VDS y VSS de Microsoft, consulte el Manual del propietario. Para instalar el software en un sistema operativo Windows, debe tener privilegios de administrador.



NOTA: Si no se utiliza el protocolo de configuración dinámica de host (DHCP), la configuración inicial de la estación de administración debe realizarse en la misma subred física que la matriz de almacenamiento. Además, durante la configuración inicial, debe configurarse al menos un adaptador de red en la misma subred IP que el puerto de administración predeterminado de la matriz de almacenamiento (192.168.128.101 o 192.168.128.102). Después de la configuración inicial, los puertos de administración se configuran mediante MDSM y la dirección IP de la estación de administración puede revertirse a la configuración anterior.

El soporte multimedia de recursos de PowerVault serie MD32xxi proporcionado ofrece los métodos de instalación siguientes:

- Instalación basada en interfaz gráfica de usuario (recomendada): el programa de instalación presenta una interfaz gráfica guiada por un asistente que permite personalizar los componentes a instalar.
- Instalación silenciosa: este procedimiento de instalación resulta útil para los usuarios que prefieren crear instalaciones con secuencias de comandos.

Instalación gráfica (recomendada)

Para realizar una instalación gráfica:

- 1** Cierre todos los programas antes de instalar software nuevo.
- 2** Inserte el soporte multimedia de recursos.
- 3** Seleccione **Install MD32xxi Storage Software** (Instalar el software de almacenamiento de MD32xxi).



NOTA: Si el servidor host ejecuta la versión Windows Server Core o si la barra de ejecución rápida no se ejecuta automáticamente, vaya a la raíz del soporte multimedia y ejecute **md_launcher.exe**.

- 4** Instale el software MD Storage. Seleccione una de las opciones de instalación siguientes:
 - **Full (Completa):** este paquete instala el software central, los proveedores y las utilidades. Incluye el agente de almacenamiento basado en host necesario, el controlador multirruta, MD Storage Manager, los proveedores y las utilidades opcionales.
 - **Host Only (Sólo host):** este paquete incluye el agente de contexto de host, los controladores de múltiples rutas y las utilidades opcionales necesarias para configurar el host.
 - **Management Station (Estación de administración):** este paquete incluye MD Storage Manager, los proveedores y las utilidades opcionales.
 - **Custom (Personalizada):** esta opción permite seleccionar componentes específicos.
- 5** Reinicie los servidores host.

Instalación silenciosa

Esta opción permite instalar el software en modo desatendido. Para ejecutar la instalación silenciosa en un sistema Windows, realice los pasos siguientes:

- 1 Para empezar la instalación con todas las opciones predeterminadas, vaya a la carpeta de Windows del soporte multimedia de recursos y ejecute el comando siguiente: `md32xxi_install -i silent`
- 2 Para especificar qué funciones se van a instalar de forma silenciosa, debe modificar el archivo `custom_silent.properties` ubicado en el mismo directorio y copiarlo en una ubicación de escritura en el servidor de host. Este archivo contiene una lista de las funciones admitidas y sus descripciones. Para utilizar el archivo `custom_silent.properties` modificado, ejecute el comando:

```
md32xxi_install -f <path>/custom_silent.properties
```

Habilitación de las funciones Premium (opcional)

Si ha solicitado funciones avanzadas, siga las instrucciones de la tarjeta de funciones avanzadas para instalar las funciones adicionales.

Configuración de un clúster iSCSI para los sistemas de almacenamiento Dell|EqualLogic serie PS



AVISO: Antes de iniciar cualquiera de los procedimientos descritos en esta sección, lea la información de seguridad suministrada con el sistema. Para obtener información adicional sobre prácticas recomendadas, visite dell.com/regulatory_compliance.

Terminología de EqualLogic

Las matrices de almacenamiento EqualLogic serie PS incluyen tecnología de virtualización de almacenamiento. Para comprender mejor cómo funcionan estas matrices, es aconsejable familiarizarse con parte de la terminología utilizada para describir estas matrices y sus funciones:

- **Miembro:** una sola matriz de la serie PS.
- **Grupo:** conjunto formado por uno o varios miembros que se puede administrar de forma centralizada; los sistemas host acceden a los datos a través de una única dirección IP del grupo.
- **Bloque:** RAID que puede consistir en discos de uno o varios miembros.
- **Volumen:** LUN o disco virtual que representa un subconjunto de la capacidad de un bloque.

Configuración de un sistema de almacenamiento iSCSI EqualLogic

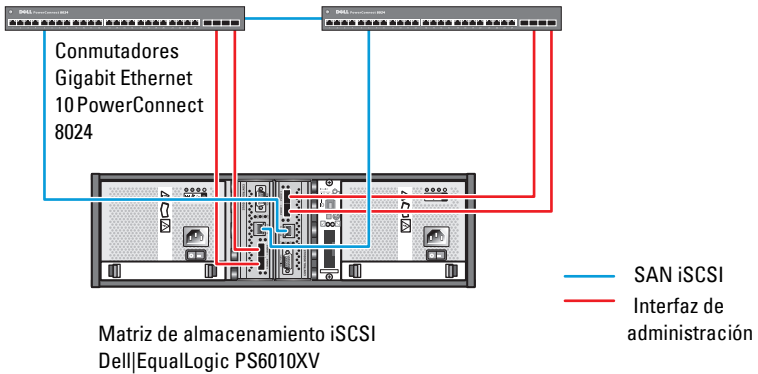
Los sistemas host se pueden conectar a la matriz iSCSI EqualLogic PS6010XV a través de un conmutador Ethernet Gigabit estándar de SAN IP. En la ilustración 5-1 se muestra la configuración de red recomendada para una matriz EqualLogic PS6010XV de módulo de control dual. Esta configuración incluye dos conmutadores Ethernet Gigabit 10 Dell PowerConnect, que ofrecen la mayor disponibilidad de red y la máxima amplitud de banda de red. Para obtener más información, consulte la documentación de EqualLogic en support.equallogic.com.



NOTA: Se recomienda utilizar dos conmutadores Ethernet Gigabit 10. En caso de producirse un error en el conmutador en un entorno con un único conmutador Ethernet, todos los hosts perderán el acceso al almacenamiento hasta que el conmutador se sustituya físicamente y se restaure la configuración. En una configuración de este tipo, debe haber varios puertos con agregación de enlaces que proporcionen la conexión interconmutada o de combinación de puertos. Además, desde cada uno de los módulos de control, se recomienda conectar una interfaz Gigabit a un conmutador Ethernet y las otras dos interfaces Gigabit al otro conmutador Ethernet.

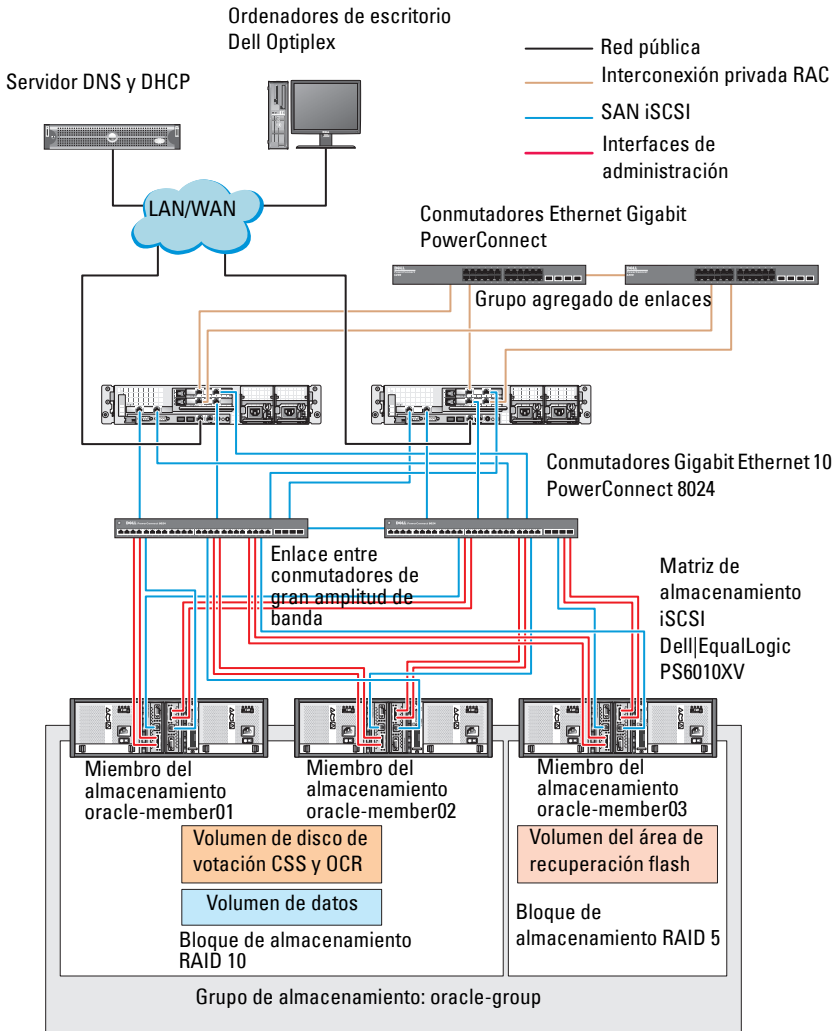
Ilustración 5-1. Configuración de red recomendada

Enlace entre conmutadores de gran amplitud de banda



En la ilustración 5-2 se ofrece una visión general de la arquitectura de una configuración de Oracle Real Application Cluster (RAC) de muestra con tres matrices Dell|EqualLogic PS6010XV. Las matrices de almacenamiento Dell|EqualLogic PS6010XV ofrecen la capacidad de almacenamiento físico para la base de datos RAC. El grupo **oracle-group** incluye tres miembros Dell|EqualLogic PS6010XV: **oracle-member01**, **oracle-member02** y **oracle-member03**. Al inicializar un miembro, se puede configurar con RAID 10, RAID 5 o RAID 50.

Ilustración 5-2. Configuración de Oracle RAC de muestra con tres matrices PS6010XV



NOTA: Para obtener más información sobre cómo inicializar una matriz EqualLogic, consulte la Guía del usuario de Dell EqualLogic en support.dell.com/manuals.

Un grupo de almacenamiento EqualLogic serie PS se puede segregar en varios niveles en cascada o bloques. El almacenamiento en cascada proporciona a los administradores un mayor control sobre la asignación de recursos de disco. Un miembro sólo se puede asignar a un bloque cada vez. Es fácil asignar un miembro a un bloque y mover un miembro entre bloques sin influir en la disponibilidad de los datos. Los bloques se pueden organizar según distintos criterios, como el tipo o la velocidad del disco, el nivel de RAID y el tipo de aplicación.

En la ilustración 5-2, los bloques se organizan por el nivel de RAID de los miembros:

- Un bloque denominado RAID 10 está formado por miembros RAID10.
- Un bloque denominado RAID 5 está formado por miembros RAID5.

Creación de volúmenes

Antes de almacenar datos, debe configurar los discos físicos de la matriz de almacenamiento EqualLogic PS6010XV como componentes utilizables, denominados volúmenes. Un volumen representa una parte del bloque de almacenamiento, con un tamaño específico, así como controles de acceso y otros atributos. Un volumen puede abarcar varios discos y miembros de grupos. En la red, el volumen se reconoce como un destino iSCSI. Los volúmenes se asignan a un bloque y se pueden mover fácilmente entre bloques, sin influir en la disponibilidad de los datos. Además, en función de la carga de trabajo global de los recursos de hardware de almacenamiento del bloque, se efectúa la colocación automática de los datos y el equilibrio de carga automático dentro de un bloque.

En la tabla 5-1 se presenta una configuración de volúmenes de muestra.

Tabla 5-1. Configuración de volúmenes para Oracle RAC

Número de volúmenes	Tamaño mínimo	RAID	Número de particiones	Utilizado para	Asignación del sistema operativo
Tres	1 024 MB	10	Una	Disco de votación, registro de clúster Oracle (OCR)	Grupo de discos ASM para registro de clúster (OCR) y disco de votación
Uno	Más grande que la base de datos	10	Una	Datos	Grupo de discos ASM DATABASEDG
Uno	Como mínimo dos veces el tamaño de los volúmenes de la segunda área	5	Una	Área de recuperación flash	Grupo de discos ASM FLASHBACKDG
Uno (opcional)	10 GB	10	Una	Ubicación principal de BD compartida	Grupo de discos ASM para ubicación principal de BD compartida

Cree volúmenes en la matriz Dell|EqualLogic PS6010XV y cree una lista de acceso para que todas las interfaces de red iSCSI del host puedan acceder a los volúmenes. Por ejemplo, se crearán los siguientes volúmenes:

- mdi-ocr
- mdi-data1
- mdi-fra1

Configuración de redes iSCSI



NOTA: Se recomienda configurar las interfaces de red del host para el tráfico iSCSI de modo que utilicen el control de flujo y la trama gigante para obtener un rendimiento óptimo.

Para definir el control de flujo y la trama gigante, realice los pasos siguientes:

- 1 Haga clic en **Inicio** → **Buscar programas y archivos**, escriba **Ver conexiones de red**.
- 2 Haga clic en **Ver conexiones de red** en los resultados de la búsqueda.
- 3 Seleccione la **interfaz de red iSCSI** y haga clic con el botón derecho del ratón en **Propiedades**.
- 4 Haga clic en **Configurar**.
- 5 Haga clic en **Opciones avanzadas**.
- 6 Seleccione **Paquete gigante** y establezca el valor en 9 014 bytes.
- 7 Seleccione **Opciones de rendimiento** y haga clic en **Propiedades**.
Se abre la ventana **Opciones de rendimiento**.
- 8 Seleccione **Control de flujo** y establezca el valor en **Rx y Tx habilitadas**.
- 9 Repita del paso 3 al paso 8 para el resto de las interfaces de red utilizadas para el tráfico iSCSI.

Configuración del acceso de host a volúmenes

Instalación y configuración del kit Dell EqualLogic Host Integration Tools (HIT)

- 1 Descargue el kit de herramientas HIT más reciente en el servidor de base de datos.
- 2 Haga doble clic en **setup64.exe** para abrir la ventana de instalación.
- 3 En la ventana **Welcome to the Host Integration Tools 3.1.2 update program** (Bienvenido al programa de actualización de las herramientas de integración de host 3.1.2), haga clic en **Next** (Siguiente).
- 4 En la ventana **License Agreements** (Contratos de licencia), seleccione **I accept the terms of all the license agreements** (Acepto los términos de todos los contratos de licencia) y haga clic en **Next** (Siguiente).

- 5 En la ventana **Installation Type** (Tipo de instalación), seleccione **Typical** (Típica) y haga clic en **Next** (Siguiente).



NOTA: Si se muestra la ventana **El servicio de iniciador iSCSI de Microsoft no se está ejecutando**, haga clic en **No**.

- 6 En la ventana **Ready to install the components** (Preparado para instalar los componentes), haga clic en **Install** (Instalar).

Aparecen las ventanas **Installation Status** (Estado de la instalación) y **Software Update Installation Wizard** (Asistente para la instalación de la actualización de software).



NOTA: Si se muestra la ventana **No se ha detectado la característica Microsoft Multipath I/O**, haga clic en **Sí** para instalar MS Multipath I/O automáticamente.



NOTA: Si se muestra la ventana **El servicio de iniciador iSCSI de Microsoft no se está ejecutando**, haga clic en **Sí**.



NOTA: Si se muestra la ventana **Propiedades de iniciador iSCSI**, haga clic en **Cancelar**. (Para obtener más información sobre la configuración de iSCSI, consulte "Configuración de Microsoft iSCSI Initiator" en la página 347).

- 7 En la ventana **Installation Complete** (Instalación finalizada), seleccione **Launch Remote Setup Wizard** (Iniciar el asistente para configuración remota) y haga clic en **Finish** (Finalizar).
- 8 En la ventana **System Restart Required** (Es necesario reiniciar el sistema), seleccione **Yes, I want to restart my computer now** (Sí, deseo reiniciar el equipo ahora) y haga clic en **OK** (Aceptar).

Una vez completado el reinicio, se mostrará la ventana **Remote Setup Wizard** (Asistente para configuración remota).

- 9 Seleccione **Configure MPIO settings for this computer** (Configurar valores de MPIO para este equipo) y haga clic en **Next** (Siguiente).
- 10 Mueva **iSCSI network subnets** (subredes de la red iSCSI) debajo de **Subnets included for MPIO** (Subredes incluidas para MPIO).
- 11 Mueva las demás subredes de la red debajo de **Subnets excluded from MPIO** (Subredes excluidas de MPIO).



NOTA: Si no ve todas las subredes de la red, asegúrese que Microsoft iSCSI Initiator Service se está ejecutando. Es posible que tenga reiniciar el **Asistente EqualLogic Remote Setup** tras iniciar iSCSI Initiator.


12 Haga clic en **Finish** (Finalizar).



NOTA: Se recomienda establecer el valor predeterminado de Load Balancing (Equilibrio de carga) en **Least Queue Depth** (Menor profundidad de cola).


13 Repita del paso 1 al paso 9 en los demás hosts del clúster.

Configuración de Microsoft iSCSI Initiator

- 1 Haga clic en **Inicio** y escriba **Iniciador iSCSI** en el cuadro de búsqueda. Haga clic en **Iniciador iSCSI** en la lista de resultados.
 - 2 En la ficha **Detección** de la ventana **Propiedades de iniciador iSCSI**, la dirección IP de la dirección del grupo EqualLogic debe estar rellena por el kit de herramientas HIT.
 - 3 Si la dirección IP del grupo no se encuentra en la ficha **Detección** haga clic en **Detectar portal**.
 - a Escriba la dirección IP del grupo EqualLogic en el campo **Dirección IP o Nombre DNS**.
 - b Haga clic en **Opciones avanzadas**.
 - c En la ventana **Configuración avanzada**, elija **Iniciador iSCSI de Microsoft** utilizando el menú desplegable **Adaptador local**.
 - d Seleccione una dirección IP del iniciador iSCSI en el menú desplegable **IP de origen**.
 - e Si utiliza CHAP para Autenticación de volumen, vaya directamente al paso i o bien continúe.
 - f Seleccione **Habilitar inicio de sesión CHAP**.
 - g Introduzca el nombre de usuario de CHAP definido en el almacenamiento EqualLogic en la casilla **Nombre de usuario**.
 - h Introduzca la contraseña CHAP definida en el almacenamiento EqualLogic en la casilla **Secreto de destino**.
-  **NOTA:** La contraseña CHAP debe tener una longitud de al menos 12 caracteres.
- i Haga clic en **Aceptar**.
- 4 En la ficha **Destinos** de la ventana **Propiedades de iniciador iSCSI**, haga clic en un volumen creado para la base de datos Oracle y haga clic en **Conectar**.

- 5 En la ventana **Conectarse al destino**, seleccione tanto **Agregar esta conexión a la lista de destinos favoritos** como **Habilitar múltiples rutas** y haga clic en **Opciones avanzadas**.
- 6 En la ficha **General** de la ventana **Opciones avanzadas**, realice las configuraciones siguientes:
 - a Seleccione **Iniciador iSCSI de Microsof** en el menú desplegable **Adaptador local**.
 - b Seleccione una **dirección IP del iniciador iSCSI** en el menú desplegable **IP de origen**.
 - c Elija la **dirección IP del grupo EqualLogic** en el menú desplegable **Portal de destino** .
 - d Seleccione **Información de inicio de sesión CHAP**.
 - e Introduzca el nombre de usuario de CHAP definido en el almacenamiento EqualLogic en la casilla **Nombre de usuario**.
 - f Introduzca la contraseña CHAP definida en el almacenamiento EqualLogic en la casilla **Secreto de destino**.
 - g Haga clic en **Aceptar**.
- 7 En la ventana **Conectarse al destino**, haga clic en **Aceptar**.
- 8 En la ficha **Destinos** de la ventana **Propiedades de iniciador iSCSI**, el estado del volumen que ha iniciado sesión debe ser **Conectado**.
- 9 Repita del paso 3 al paso 8 para iniciar sesión en el mismo volumen para el resto de las direcciones IP del iniciador iSCSI.
- 10 Repita del paso 9 al para iniciar sesión en el resto de los volúmenes creados para la base de datos.
- 11 Repita del paso 1 al paso 9 en los demás hosts del clúster.


Configuración del almacenamiento de base de datos en el host

 **AVISO:** Antes de iniciar cualquiera de los procedimientos descritos en esta sección, lea la información de seguridad suministrada con el sistema. Para obtener información adicional sobre prácticas recomendadas, visite dell.com/regulatory_compliance.

Oracle Real Application Clusters (RAC) requiere una lista ordenada de procedimientos. En las secciones siguientes se describe cómo verificar, ajustar y configurar los discos de almacenamiento para el almacenamiento SAS de conexión directa o iSCSI en el host.


Verificación e identificación de los discos de almacenamiento

Cuando configure los clústeres, cree particiones en el sistema de almacenamiento SAS de conexión directa o iSCSI. Para crear las particiones, todos los nodos deben ser capaces de detectar los dispositivos de almacenamiento externos.

 **NOTA:** El procedimiento que se indica en esta sección describe cómo implantar la base de datos Oracle para el almacenamiento SAS de conexión directa cuando se utiliza almacenamiento SAS de conexión directa o iSCSI (matriz de almacenamiento Dell PowerVault MD32xx, MD32xxi o Dell|EqualLogic).

Verificación de la asignación de almacenamiento a los nodos

- 1 Haga clic en Inicio→ Herramientas administrativas→ Administrador de servidores.
- 2 En la ventana Administrador de servidores, seleccione Administrador de dispositivos.

- 3 Expanda **Almacenamiento** y haga clic en **Administración de discos**.
 - a Haga clic con el botón derecho del ratón en el volumen y haga clic en **En línea**.
 - b Haga clic con el botón derecho del ratón en el volumen, seleccione **Inicializar** y en la ventana **Inicializar disco**, haga clic en **Aceptar**.
 - c Repita del paso a al paso b para todos los volúmenes.
-  **NOTA:** Este procedimiento garantiza que los discos se configuren como básicos.
- 4 En la ventana **Administración de discos**, compruebe que aparezcan cuatro discos. Los discos deben ser de tamaño similar entre ellos y respecto a los discos virtuales que están asignados a los nodos en el sistema de almacenamiento.
 - 5 Repita del paso 1 al paso 4 en los nodos restantes.

Preparación de los discos de software de clúster Oracle, de base de datos y de copia de seguridad

En esta sección se proporciona información para crear unidades lógicas para los discos siguientes:

- Disco de registro del clúster Oracle (OCR): contiene información de configuración del clúster.
- Disco de votación: ofrece arbitraje entre los nodos del clúster cuando la red privada o el almacenamiento conectado no están disponibles para uno o más nodos.
- Discos de datos y de copia de seguridad: ofrecen áreas de almacenamiento para crear la base de datos (disco de datos) y para guardar los datos de copia de seguridad y de registro (disco de copia de seguridad).

Durante la configuración del clúster que se describe en este documento, asegúrese de que los nodos del clúster pueden detectar los discos lógicos creados en el sistema de almacenamiento conectado, cuando cree las particiones en el almacenamiento compartido.

Para preparar los discos para el software de clúster Oracle, identifique los discos OCR, de votación, de datos y de área de recuperación flash. Una vez que haya identificado los discos apropiados, realice los pasos siguientes en el nodo 1.

Habilitación de la opción de montaje automático para los discos compartidos

- 1 En el nodo 1, haga clic en **Inicio**→ **Ejecutar**.
- 2 Escriba `cmd` y haga clic en **Aceptar**.
- 3 En el indicador de comandos, escriba `diskpart` y pulse <Intro>.
- 4 En el indicador de comandos de DISKPART, escriba `automount enable` y pulse <Intro>.
Aparece el mensaje siguiente: `Automatic mounting of new volumes enabled` (Montaje automático de nuevos volúmenes habilitado).
- 5 En el indicador de comandos de DISKPART, escriba `exit` y pulse <Intro>.
- 6 Cierre el indicador de comandos.
- 7 Repita del paso 1 al paso 5 en los nodos restantes.

Preparación del disco OCR y de votación para el software de clúster, del disco de base de datos y al área de recuperación flash para el almacenamiento de base de datos con ASM en Windows 2008 R2 SP1

El procedimiento para crear particiones extendidas y unidades lógicas es el siguiente:

- 1 Haga clic en **Inicio**→ **Ejecutar**, escriba `cmd` y pulse <Intro> para abrir una ventana de indicador de comandos.
- 2 Escriba `diskpart` en el indicador de comandos para abrir la interfaz de `diskpart`.

3 Escriba `list disk` y se mostrará la siguiente tabla:

Disk ###	Estado	Tamaño	Free	Dyn	GPT
Disk 0	En línea	37 GB	0 MB	-	-
Disk 1	En línea	2048 MB	2048 MB	-	-
Disk 2	En línea	100 GB	100 GB	-	-
Disk 3	En línea	200 GB	200 GB	-	-

4 Escriba `select disk [disk #]` para el disco de destino.



NOTA: En los pasos siguientes se explica cómo crear particiones y discos lógicos para el disco MBR.

5 Escriba `create partition extended` y pulse <Intro>.

6 Escriba `create partition logical size=<tamaño del volumen en megabytes>` y pulse <Intro>.

7 Repita del paso 4 al paso 6 en todos los discos identificados para el software de clúster (discos OCR y de votación) y en todos los discos identificados para el almacenamiento de base de datos (disco de base de datos y área de recuperación flash).

Eliminación de las letras de unidad asignadas

1 Haga clic en Inicio → Herramientas administrativas → Administrador de servidores.

2 Expanda Almacenamiento y haga clic en Administración de discos.

3 Si encuentra letras de unidad asignadas a las unidades que ha creado en "Preparación del disco OCR y de votación para el software de clúster, del disco de base de datos y al área de recuperación flash para el almacenamiento de base de datos con ASM en Windows 2008 R2 SP1" en la página 351, realice los pasos siguientes:

a Haga clic con el botón derecho del ratón en la unidad lógica y seleccione **Cambiar la letra y rutas de acceso de unidad**.

b Seleccione la letra de unidad y haga clic en **Quitar**.

c En la ventana **Confirmar**, haga clic en **Sí**.

d Repita del paso a al paso c para las demás unidades lógicas de la partición de almacenamiento.

Índice

A

- ayuda
 - asistencia de Dell, 302
 - asistencia de Oracle, 302

C

- cableado
 - clúster iSCSI, 331
- conmutador PowerConnect, 340

H

- help, 302

M

- Modular Disk Storage Manager, 323

N

- NIC
 - asignaciones de puerto, 303

S

- SAS
 - configuración del clúster, 319, 329, 339, 349
- software MPIIO, 323
- soporte multimedia de recursos PowerVault MD3000, 323

T

- término
 - bloque, 339
 - grupo, 339
 - miembro, 339
 - volumen, 339

V

- volúmenes, 343

